



SANYO Semiconductors

DATA SHEET

LV23002M — Bi-CMOS IC

For Radio Cassette and Mini Component System

1-chip Tuner IC Incorporating PLL

Overview

The LV23002M is a one-chip tuner IC incorporating PLL for radio cassette and mini component system.

Features

- AM
- FM-FE
- FM-IF
- MPX
- PLL

Specifications

Maximum Ratings at $T_a = 25^\circ\text{C}$

Parameter	Symbol	Conditions	Ratings	Unit
Maximum supply voltage	V_{CC} max	V_{CC}	7.0	V
	V_{DD} max	V_{DD}	5.0	V
Maximum input voltage	V_{IN1} max	CE, DI, CL	5.0	V
	V_{IN2} max	XIN	$V_{DD}+0.3$	V
Maximum output voltage	V_{O1} max	DO	6.0	V
	V_{O2} max	XOUT, PD	$V_{DD}+0.3$	V
	V_{O3} max	BO1, BO2, AOUT	12.0	V
Allowable power dissipation	P_d max	$T_a \leq 70^\circ\text{C}$ Mounted on a glass epoxy board. Board size : 114.3 mm×76.1mm = 1.6mm	400	mW
Operating temperature	T_{opr}		-20 to +70	$^\circ\text{C}$
Storage temperature	T_{stg}		-40 to +125	$^\circ\text{C}$

Note : This product should be handled with care because the resistance of one pin against electrostatic discharge damage is low.

■ Any and all SANYO Semiconductor products described or contained herein do not have specifications that can handle applications that require extremely high levels of reliability, such as life-support systems, aircraft's control systems, or other applications whose failure can be reasonably expected to result in serious physical and/or material damage. Consult with your SANYO Semiconductor representative nearest you before using any SANYO Semiconductor products described or contained herein in such applications.

■ SANYO Semiconductor assumes no responsibility for equipment failures that result from using products at values that exceed, even momentarily, rated values (such as maximum ratings, operating condition ranges, or other parameters) listed in products specifications of any and all SANYO Semiconductor products described or contained herein.

SANYO Semiconductor Co., Ltd.

TOKYO OFFICE Tokyo Bldg., 1-10, 1 Chome, Ueno, Taito-ku, TOKYO, 110-8534 JAPAN

LV23002M

Operating Condition at Ta = 25°C

Parameter	Symbol	Conditions	Ratings	Unit
Recommended supply voltage	V _{CC}		5.0	V
	V _{DD}		3.0	V
Operating supply voltage range	V _{CC op}		4.0 to 6.0	V
	V _{DD op}		2.5 to 3.6	V

Note : Use the product with the supply voltage applied to V_{CC} and V_{DD}.

PLL block Allowable Operating Range at Ta = -20 to +70°C, V_{SS} = 0V

Parameter	Symbol	Conditions	Ratings			Unit
			min	typ	max	
Supply voltage	V _{DD}		2.5		3.6	V
Input high level voltage	V _{IH}	CE, CL, DI	0.7V _{DD}		5.0	V
Input low level voltage	V _{IL}	CE, CL, DI	0		0.3V _{DD}	V
Output voltage	V _{O1}	DO	0		6.0	V
	V _{O2}	BO1, BO2, AOUT	0		10	V
Operating frequency	f _{IN1}	XIN ; V _{IN1}		75		kHz
	f _{IN2}	FMIN ; V _{IN2}	10		160	MHz
	f _{IN3}	AMIN (SNS = 1) ; V _{IN3}	2		40	MHz
	f _{IN4}	AMIN (SNS = 0) ; V _{IN4}	0.5		10	MHz

Note : Due attention must be paid on leak because the XIN pin has an extremely high input impedance.

Operating Characteristics at Ta = 25°C, V_{CC} = 5.0V, V_{DD} = 3.0V, See the specified circuit.

Parameter	Symbol	Conditions	Ratings			Unit
			min	typ	max	
[FM-FE characteristics] : fc = 98MHz, fm = 1kHz, 22.5kHzdev.						
3dB sensitivity	3dB LS	60dBμV EMF, 30%mod output reference, -3dB input		3		dBμV EMF
Actual sensitivity	QS	S/N = Input at S/N = 30dB		10		dBμV EMF
[FM-IF monaural characteristics] : fc = 10.7MHz, fm = 1kHz, 75kHzdev.						
Demodulation output	V _O	100dBμV, 12pin output	270	330	400	mVrms
Channel balance	CB	100dBμV, 13pin output /12pin output	-1.5	0	+1.5	dB
Signal-to-noise ratio	S/N	100dBμV, 12pin output	68	75		dB
Total harmonic distortion (Monaural)	THD	100dBμV, 12pin output		0.3	1.5	%
3dB sensitivity	3dB LS	V _O reference, Input level at which V _O reference is -3dB.		38	44	dBμV
IF count sensitivity	IF-C3	SDC0 = 1, SDC1 = 0,18pin(DO) output	47	52	58	dBμV
Mute attenuation	Mute-Att	100dBμV, 12pin output		68		dB
[FM-IF stereo characteristics] : fc = 10.7MHz, fm = 1kHz, L+R = 90%, Pilot = 10%, V _{IN} = 100dBμV						
Separation	SEP	L-mod, 12pin output /13pin output	28	40		dB
Total harmonic distortion (Main)	THD	Main-mod, 12pin output		0.5	1.5	%

Continued on next page.

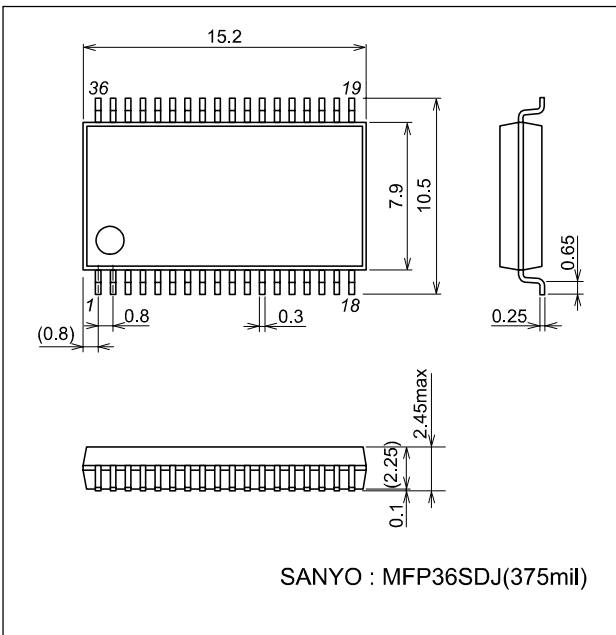
LV23002M

Continued from preceding page.

Parameter	Symbol	Conditions	Ratings			Unit
			min	typ	max	
[AM characteristics] : $f_c = 1000\text{kHz}$, $f_m = 1\text{kHz}$, 30%mod						
Detection output 1	V_{O1}	23dB μV , 12pin output	25	40	80	mVrms
Detection output 2	V_{O2}	80dB μV , 12pin output	80	110	145	mVrms
Signal-to-noise ratio 1	S/N1	23dB μV , 12pin output	15	20		dB
Signal-to-noise ratio 2	S/N2	80dB μV , 12pin output	47	54		dB
Total harmonic distortion	THD	80dB μV , 12pin output		1.2	3.0	%
IF count sensitivity	IF-C	18pin (DO) output	22	28	33	dB μV
Low-range attenuation	LOW-CUT	V_{O2} reference, Pin 12 output at $f_m = 100\text{Hz}$	5	8	11	dB
[Current dissipation]						
Current dissipation	I_{CCFM}	No input in FM mode	20	30	40	mA
	I_{CCAM}	No input in AM mode	10	20	30	
	I_{DD}	$f_r = 83\text{MHz}$, $X'_{tal} = 75\text{kHz}$, No input to tuner	1	2	5	
[PLL characteristics]						
Internal return resistance	R_f	XIN		8		M Ω
Built-in output resistance	R_d	XOUT		250		k Ω
Hysteresis width	V_{HIS}	CE, CL, DI		$0.1V_{DD}$		V
Output high level voltage	V_{OH}	PD ; $I_O = -1\text{mA}$	$V_{DD}-1.0$			V
Output low level voltage	V_{OL1}	PD ; $I_O = 1\text{mA}$			1.0	V
	V_{OL2}	BO1, BO2 ; $I_O = 1\text{mA}$			0.25	V
		BO1, BO2 ; $I_O = 5\text{mA}$			1.25	V
	V_{OL3}	DO ; $I_O = 1\text{mA}$			0.25	V
	V_{OL4}	AOUT ; $I_O = 1\text{mA}$, AIN = 2.0V			0.5	V
Input high level current	I_{IH1}	CE, CL, DI ; $V_I = 6.0\text{V}$			5.0	μA
	I_{IH2}	XIN ; $V_I = V_{DD}$	0.16		0.9	μA
	I_{IH3}	AIN ; $V_I = 6.0\text{V}$			200	nA
Input low level current	I_{IL1}	CE, CL, DI ; $V_I = 0\text{V}$			5.0	μA
	I_{IL2}	XIN ; $V_I = 0\text{V}$	0.16		0.9	μA
	I_{IL3}	AIN ; $V_I = 0\text{V}$			200	nA
Output off-leak current	I_{OFF1}	BO1, AOUT, BO2 ; $V_O = 10\text{V}$			5.0	μA
	I_{OFF2}	DO ; $V_O = 6.0\text{V}$			5.0	μA
"H" level 3-state off-leak current	I_{OFFH}	PD ; $V_O = 6.0\text{V}$		0.01	200	nA
"L" level 3-state off-leak current	I_{OFFL}	PD ; $V_O = 0\text{V}$		0.01	200	nA

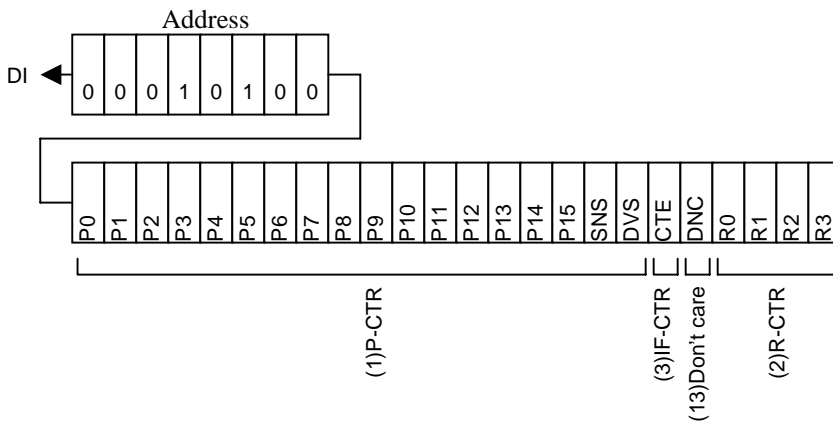
Package Dimensions

unit : mm
3263

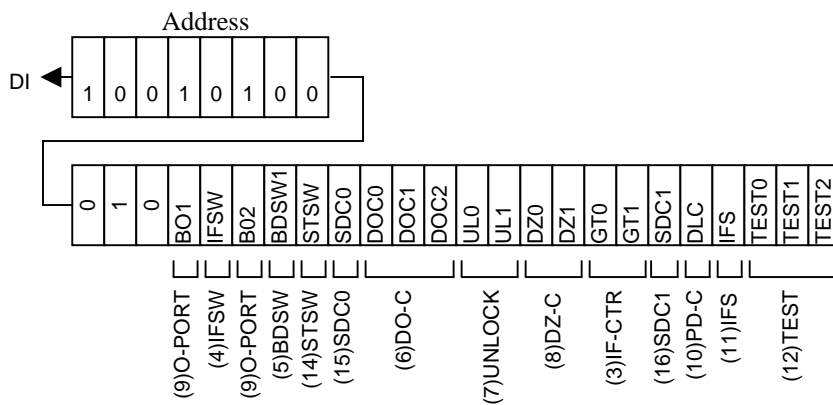


Composition of DI control data (serial data input)

(1) IN mode



(2) IN2 mode



LV23002M

Description of DI control Data

No.	Control block data	Description	Related data																																																																																					
(1)	Programmable divider data P0 to P15 DVS, SNS	<ul style="list-style-type: none"> Data to set the dividing number of programmable divider Binary value with P15 assumed to be MSB. LSB varies according to DVS and SNS. (*: don't care) <table border="1" style="width: 100%; border-collapse: collapse; margin-bottom: 10px;"> <thead> <tr> <th>DVS</th> <th>SNS</th> <th>LSB</th> <th>Set dividing number(N)</th> <th>Actual dividing number</th> </tr> </thead> <tbody> <tr> <td style="text-align: center;">1</td> <td style="text-align: center;">*</td> <td style="text-align: center;">P0</td> <td style="text-align: center;">272 to 65535</td> <td style="text-align: center;">Twice the set value</td> </tr> <tr> <td style="text-align: center;">0</td> <td style="text-align: center;">1</td> <td style="text-align: center;">P0</td> <td style="text-align: center;">272 to 65535</td> <td style="text-align: center;">Set value</td> </tr> <tr> <td style="text-align: center;">0</td> <td style="text-align: center;">0</td> <td style="text-align: center;">P4</td> <td style="text-align: center;">4 to 4095</td> <td style="text-align: center;">Set value</td> </tr> </tbody> </table> <ul style="list-style-type: none"> * P0 to P3 invalid when LSB:P4 To select the signal input (FMIN, AMIN) to the programmable divider and to change the input frequency range. (*: don't care) <table border="1" style="width: 100%; border-collapse: collapse;"> <thead> <tr> <th>DVS</th> <th>SNS</th> <th>Input</th> <th>Operation frequency range</th> </tr> </thead> <tbody> <tr> <td style="text-align: center;">1</td> <td style="text-align: center;">*</td> <td style="text-align: center;">FMIN</td> <td style="text-align: center;">10 to 160MHz</td> </tr> <tr> <td style="text-align: center;">0</td> <td style="text-align: center;">1</td> <td style="text-align: center;">AMIN</td> <td style="text-align: center;">2 to 40MHz</td> </tr> <tr> <td style="text-align: center;">0</td> <td style="text-align: center;">0</td> <td style="text-align: center;">AMIN</td> <td style="text-align: center;">0.5 to 10MHz</td> </tr> </tbody> </table>	DVS	SNS	LSB	Set dividing number(N)	Actual dividing number	1	*	P0	272 to 65535	Twice the set value	0	1	P0	272 to 65535	Set value	0	0	P4	4 to 4095	Set value	DVS	SNS	Input	Operation frequency range	1	*	FMIN	10 to 160MHz	0	1	AMIN	2 to 40MHz	0	0	AMIN	0.5 to 10MHz																																																		
DVS	SNS	LSB	Set dividing number(N)	Actual dividing number																																																																																				
1	*	P0	272 to 65535	Twice the set value																																																																																				
0	1	P0	272 to 65535	Set value																																																																																				
0	0	P4	4 to 4095	Set value																																																																																				
DVS	SNS	Input	Operation frequency range																																																																																					
1	*	FMIN	10 to 160MHz																																																																																					
0	1	AMIN	2 to 40MHz																																																																																					
0	0	AMIN	0.5 to 10MHz																																																																																					
(2)	Reference divider data R0 to R3	<ul style="list-style-type: none"> Reference frequency (fref) selection data <table border="1" style="width: 100%; border-collapse: collapse; margin-bottom: 10px;"> <thead> <tr> <th>R3</th> <th>R2</th> <th>R1</th> <th>R0</th> <th>Reference frequency</th> </tr> </thead> <tbody> <tr><td style="text-align: center;">0</td><td style="text-align: center;">0</td><td style="text-align: center;">0</td><td style="text-align: center;">0</td><td style="text-align: center;">25kHz</td></tr> <tr><td style="text-align: center;">0</td><td style="text-align: center;">0</td><td style="text-align: center;">0</td><td style="text-align: center;">1</td><td style="text-align: center;">25kHz</td></tr> <tr><td style="text-align: center;">0</td><td style="text-align: center;">0</td><td style="text-align: center;">1</td><td style="text-align: center;">0</td><td style="text-align: center;">25kHz</td></tr> <tr><td style="text-align: center;">0</td><td style="text-align: center;">0</td><td style="text-align: center;">1</td><td style="text-align: center;">1</td><td style="text-align: center;">25kHz</td></tr> <tr><td style="text-align: center;">0</td><td style="text-align: center;">1</td><td style="text-align: center;">0</td><td style="text-align: center;">0</td><td style="text-align: center;">12.5kHz</td></tr> <tr><td style="text-align: center;">0</td><td style="text-align: center;">1</td><td style="text-align: center;">0</td><td style="text-align: center;">1</td><td style="text-align: center;">6.25kHz</td></tr> <tr><td style="text-align: center;">0</td><td style="text-align: center;">1</td><td style="text-align: center;">1</td><td style="text-align: center;">0</td><td style="text-align: center;">3.125kHz</td></tr> <tr><td style="text-align: center;">0</td><td style="text-align: center;">1</td><td style="text-align: center;">1</td><td style="text-align: center;">1</td><td style="text-align: center;">3.125kHz</td></tr> <tr><td style="text-align: center;">1</td><td style="text-align: center;">0</td><td style="text-align: center;">0</td><td style="text-align: center;">0</td><td style="text-align: center;">5kHz</td></tr> <tr><td style="text-align: center;">1</td><td style="text-align: center;">0</td><td style="text-align: center;">0</td><td style="text-align: center;">1</td><td style="text-align: center;">5kHz</td></tr> <tr><td style="text-align: center;">1</td><td style="text-align: center;">0</td><td style="text-align: center;">1</td><td style="text-align: center;">0</td><td style="text-align: center;">5kHz</td></tr> <tr><td style="text-align: center;">1</td><td style="text-align: center;">0</td><td style="text-align: center;">1</td><td style="text-align: center;">1</td><td style="text-align: center;">1kHz</td></tr> <tr><td style="text-align: center;">1</td><td style="text-align: center;">1</td><td style="text-align: center;">0</td><td style="text-align: center;">0</td><td style="text-align: center;">3kHz</td></tr> <tr><td style="text-align: center;">1</td><td style="text-align: center;">1</td><td style="text-align: center;">0</td><td style="text-align: center;">1</td><td style="text-align: center;">15kHz</td></tr> <tr><td style="text-align: center;">1</td><td style="text-align: center;">1</td><td style="text-align: center;">1</td><td style="text-align: center;">0</td><td style="text-align: center;">PLL INHIBIT+X'tal OSC STOP</td></tr> <tr><td style="text-align: center;">1</td><td style="text-align: center;">1</td><td style="text-align: center;">1</td><td style="text-align: center;">1</td><td style="text-align: center;">PLL INHIBIT</td></tr> </tbody> </table> <ul style="list-style-type: none"> * PLL INHIBIT The programmable divider and IF counter stop, with FMIN, AMIN, and IFIN inputs being in the pull-down condition (GND), and the charge pump has the high impedance. 	R3	R2	R1	R0	Reference frequency	0	0	0	0	25kHz	0	0	0	1	25kHz	0	0	1	0	25kHz	0	0	1	1	25kHz	0	1	0	0	12.5kHz	0	1	0	1	6.25kHz	0	1	1	0	3.125kHz	0	1	1	1	3.125kHz	1	0	0	0	5kHz	1	0	0	1	5kHz	1	0	1	0	5kHz	1	0	1	1	1kHz	1	1	0	0	3kHz	1	1	0	1	15kHz	1	1	1	0	PLL INHIBIT+X'tal OSC STOP	1	1	1	1	PLL INHIBIT	
R3	R2	R1	R0	Reference frequency																																																																																				
0	0	0	0	25kHz																																																																																				
0	0	0	1	25kHz																																																																																				
0	0	1	0	25kHz																																																																																				
0	0	1	1	25kHz																																																																																				
0	1	0	0	12.5kHz																																																																																				
0	1	0	1	6.25kHz																																																																																				
0	1	1	0	3.125kHz																																																																																				
0	1	1	1	3.125kHz																																																																																				
1	0	0	0	5kHz																																																																																				
1	0	0	1	5kHz																																																																																				
1	0	1	0	5kHz																																																																																				
1	0	1	1	1kHz																																																																																				
1	1	0	0	3kHz																																																																																				
1	1	0	1	15kHz																																																																																				
1	1	1	0	PLL INHIBIT+X'tal OSC STOP																																																																																				
1	1	1	1	PLL INHIBIT																																																																																				
(3)	IF counter control data CTE GT0, GT1	<ul style="list-style-type: none"> IF counter counting start data CTE = 1: Counting start = 0: Counting reset Determines the counting time of universal counter <table border="1" style="width: 100%; border-collapse: collapse; margin-bottom: 10px;"> <thead> <tr> <th>GT1</th> <th>GT0</th> <th>Counting time</th> <th>Wait time</th> </tr> </thead> <tbody> <tr> <td style="text-align: center;">0</td> <td style="text-align: center;">0</td> <td style="text-align: center;">4ms</td> <td style="text-align: center;">3 to 4ms</td> </tr> <tr> <td style="text-align: center;">0</td> <td style="text-align: center;">1</td> <td style="text-align: center;">8</td> <td style="text-align: center;">3 to 4</td> </tr> <tr> <td style="text-align: center;">1</td> <td style="text-align: center;">0</td> <td style="text-align: center;">16</td> <td style="text-align: center;">3 to 4</td> </tr> <tr> <td style="text-align: center;">1</td> <td style="text-align: center;">1</td> <td style="text-align: center;">32</td> <td style="text-align: center;">3 to 4</td> </tr> </tbody> </table>	GT1	GT0	Counting time	Wait time	0	0	4ms	3 to 4ms	0	1	8	3 to 4	1	0	16	3 to 4	1	1	32	3 to 4	IFS																																																																	
GT1	GT0	Counting time	Wait time																																																																																					
0	0	4ms	3 to 4ms																																																																																					
0	1	8	3 to 4																																																																																					
1	0	16	3 to 4																																																																																					
1	1	32	3 to 4																																																																																					

Continued on next page.

LV23002M

Continued from preceding page.

No.	Control block data	Description	Related data																																				
(4)	MUTE control data IFSW	<ul style="list-style-type: none"> Data to determine the output of output port IFSW, controlling the MUTE function. "Data" = 0: at receiving 1: MUTE 																																					
(5)	FM/AM BAND selection control data BDSW	<ul style="list-style-type: none"> Data to determine the output of output port BDSW, controlling selection of BAND. "Data" = 0: AM 1: FM 																																					
(6)	DO pin control data DOC0 DOC1 DOC2	<ul style="list-style-type: none"> Data to control DO pin output <table border="1" style="width: 100%; border-collapse: collapse; margin-bottom: 10px;"> <thead> <tr> <th>DOC2</th> <th>DOC1</th> <th>DOC0</th> <th>DO pin condition</th> </tr> </thead> <tbody> <tr> <td>0</td> <td>0</td> <td>0</td> <td>Open</td> </tr> <tr> <td>0</td> <td>0</td> <td>1</td> <td>Low when unlock is detected.</td> </tr> <tr> <td>0</td> <td>1</td> <td>0</td> <td>end-UC (See the item with asterisk below)</td> </tr> <tr> <td>0</td> <td>1</td> <td>1</td> <td>Open</td> </tr> <tr> <td>1</td> <td>0</td> <td>0</td> <td>Open</td> </tr> <tr> <td>1</td> <td>0</td> <td>1</td> <td>Low when SDON</td> </tr> <tr> <td>1</td> <td>1</td> <td>0</td> <td>Low when stereo</td> </tr> <tr> <td>1</td> <td>1</td> <td>1</td> <td>Open</td> </tr> </tbody> </table> <ul style="list-style-type: none"> The open condition is selected at power ON/reset. * IF counter counting end check <div style="text-align: center; margin-bottom: 10px;"> <p style="margin-left: 100px;">(1)Counting start (2)Counting end (3)CE: HI</p> </div> <ul style="list-style-type: none"> (1) With end-UC set and IF counter starting (CTE=0→1), DO pin opens automatically. (2) At end of counting of the IF counter, DO pin goes LOW and check on counting end can be made. (3) DO pin opens when serial data is entered/output (CE pin: Hi) <p>Note: DO pin is always in the open condition during data input (IN1 and IN2 modes, during CE: Hi period), regardless of DO pin control data (DOC0 to 2). In the DO pin condition during data output (OUT mode, CE-Hi period), the content of internal DO serial data is output in synchronization with CL, regardless of DO pin control data (DOC). </p>	DOC2	DOC1	DOC0	DO pin condition	0	0	0	Open	0	0	1	Low when unlock is detected.	0	1	0	end-UC (See the item with asterisk below)	0	1	1	Open	1	0	0	Open	1	0	1	Low when SDON	1	1	0	Low when stereo	1	1	1	Open	UL0, UL1 CTE
DOC2	DOC1	DOC0	DO pin condition																																				
0	0	0	Open																																				
0	0	1	Low when unlock is detected.																																				
0	1	0	end-UC (See the item with asterisk below)																																				
0	1	1	Open																																				
1	0	0	Open																																				
1	0	1	Low when SDON																																				
1	1	0	Low when stereo																																				
1	1	1	Open																																				
(7)	Unlock detection data UL0, UL1	<ul style="list-style-type: none"> Phase error (ϕE) detection width selection data to judge if PLL is locked. Phase error exceeding the detection width is judged that PLL is locked <table border="1" style="width: 100%; border-collapse: collapse; margin-bottom: 10px;"> <thead> <tr> <th>UL1</th> <th>UL0</th> <th>ϕE Detection width</th> <th>Detection output</th> </tr> </thead> <tbody> <tr> <td>0</td> <td>0</td> <td>Stop</td> <td>Open</td> </tr> <tr> <td>0</td> <td>1</td> <td>0</td> <td>Direct output of ϕE</td> </tr> <tr> <td>1</td> <td>*</td> <td>$\pm 6.67\mu$</td> <td>ϕE extended by 1 to 2ms</td> </tr> </tbody> </table> <p style="text-align: right; margin-right: 20px;">(*:don't care)</p> <p>* DO pin is LOW. Serial data output: UL = 0.</p>	UL1	UL0	ϕE Detection width	Detection output	0	0	Stop	Open	0	1	0	Direct output of ϕE	1	*	$\pm 6.67\mu$	ϕE extended by 1 to 2ms	DOC0 DOC1 DOC2																				
UL1	UL0	ϕE Detection width	Detection output																																				
0	0	Stop	Open																																				
0	1	0	Direct output of ϕE																																				
1	*	$\pm 6.67\mu$	ϕE extended by 1 to 2ms																																				
(8)	Phase comparator control data DZ0, DZ1	<ul style="list-style-type: none"> Data to control the dead zone of phase comparator <table border="1" style="width: 100%; border-collapse: collapse; margin-bottom: 10px;"> <thead> <tr> <th>DZ1</th> <th>DZ0</th> <th>Dead zone mode</th> </tr> </thead> <tbody> <tr> <td>0</td> <td>0</td> <td>DZA</td> </tr> <tr> <td>0</td> <td>1</td> <td>DZB</td> </tr> <tr> <td>1</td> <td>0</td> <td>DZC</td> </tr> <tr> <td>1</td> <td>1</td> <td>DZD</td> </tr> </tbody> </table> <p>Dead zone width: DZA<DZB<DZC<DZD</p>	DZ1	DZ0	Dead zone mode	0	0	DZA	0	1	DZB	1	0	DZC	1	1	DZD																						
DZ1	DZ0	Dead zone mode																																					
0	0	DZA																																					
0	1	DZB																																					
1	0	DZC																																					
1	1	DZD																																					
(9)	Output port data $\overline{BO1}$, $\overline{BO2}$	<ul style="list-style-type: none"> Data to determine the output of output ports $\overline{BO1}$ and $\overline{BO2}$ "Data" = 0: OPEN 1: Low 																																					

Continued on next page.

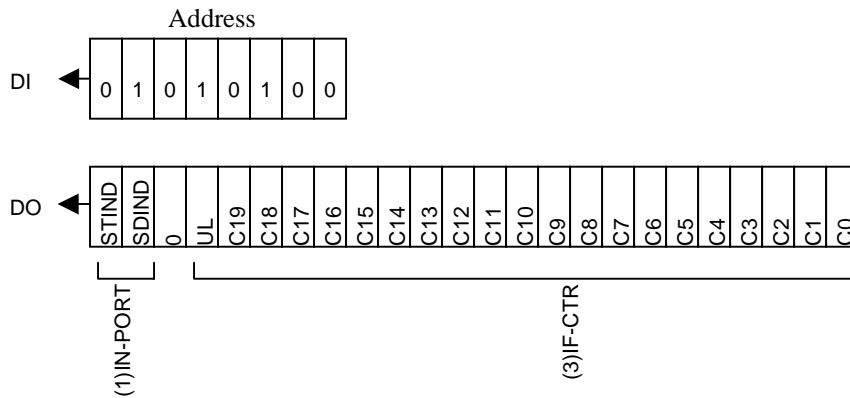
LV23002M

Continued from preceding page.

No.	Control block data	Description	Related data						
(10)	Charge pump control data DLC	<ul style="list-style-type: none"> Data to enforce control of charge pump output <table border="1" style="margin-left: 20px;"> <tr> <td style="text-align: center;">DLC</td> <td style="text-align: center;">Charge pump output</td> </tr> <tr> <td style="text-align: center;">0</td> <td style="text-align: center;">Normal</td> </tr> <tr> <td style="text-align: center;">1</td> <td style="text-align: center;">Forced to LOW</td> </tr> </table> <p>In case of dead lock because of VCO oscillation stop when the VCO control voltage (Vtune) is 0V, it is possible to clear dead lock by setting the charge pump output to LOW and V tune to V_{CC}. (Dead lock clear circuit)</p>	DLC	Charge pump output	0	Normal	1	Forced to LOW	
DLC	Charge pump output								
0	Normal								
1	Forced to LOW								
(11)	IFS	<ul style="list-style-type: none"> Normally, set Data = 1. Setting Data = 0 causes the input sensitivity worsening mode and the sensitivity decreases by about 10 to 30mVrms. 							
(12)	LSI test data TEST0 to 2	<ul style="list-style-type: none"> LSI test data <table style="margin-left: 20px;"> <tr> <td>TEST0</td> <td rowspan="3" style="font-size: 2em; vertical-align: middle;">}</td> <td rowspan="3" style="vertical-align: middle;">All to be set to "0"</td> </tr> <tr> <td>TEST1</td> </tr> <tr> <td>TEST2</td> </tr> </table> <p>All set to zero at power ON/reset</p>	TEST0	}	All to be set to "0"	TEST1	TEST2		
TEST0	}	All to be set to "0"							
TEST1									
TEST2									
(13)	DNC	<ul style="list-style-type: none"> Set data = 0. 							
(14)	Forced monaural control data STSW	<ul style="list-style-type: none"> Data to determine the output of output port STSW, controlling the forced stereo functions. <p>"Data" = 0: MONO 1: STEREO</p>							
(15) (16)	SD sensitivity control data SDC0 SDC1	<ul style="list-style-type: none"> Data to determine the output of output ports SDC0 and SDC1, controlling the SD sensitivity <p>"Data" = SDC0: 0, SDC1: 0 → SD sensitivity = 42dBμV (typ) SDC0: 0, SDC1: 1 → SD sensitivity = 45dBμV (typ) SDC0: 1, SDC1: 0 → SD sensitivity = 51dBμV (typ) SDC0: 1, SDC1: 1 → SD sensitivity = 56dBμV (typ)</p>							

DO control data (serial data output) composition

(1) OUT mode



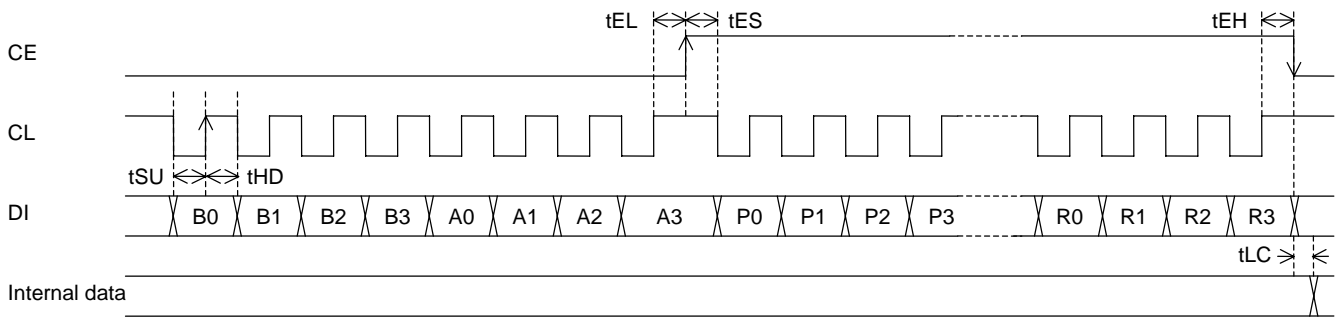
Description of the DO output data

No.	Control block data	Description	Related data
(1)	Stereo and SD indicators control data STIND, SDIND	<ul style="list-style-type: none"> Data latching stereo and SD indicator conditions. <p>Latching made in the data output (OUT) mode.</p> <p>STIND ← Stereo indicator condition 0: ST ON, 1: ST OFF SDIND ← SD indicator condition 0: SD ON, 1: SD OFF</p>	
(2)	PLL unlock data UL	<ul style="list-style-type: none"> Data latching the content of unlock detection circuit <p>UL ← 0: At unlock 1: At lock or detection stop mode</p>	UL0 UL1
(3)	IF counter, binary counter C19 to C0	<ul style="list-style-type: none"> Data latching the content of IF counter (20-bit binary counter) <p>C19 ← MSB of binary counter C0 ← LSB of binary counter</p>	CTE GT0 GT1

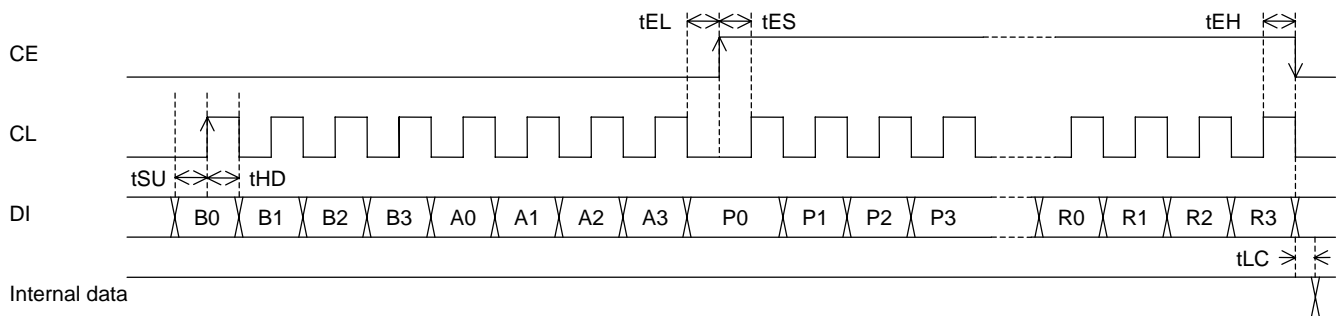
LV23002M

Serial data input (IN1/IN2) $t_{SU}, t_{HD}, t_{EL}, t_{ES}, t_{EH} \geq 0.75\mu s$ $t_{LC} < 0.75\mu s$

(1) CL: Normally HI

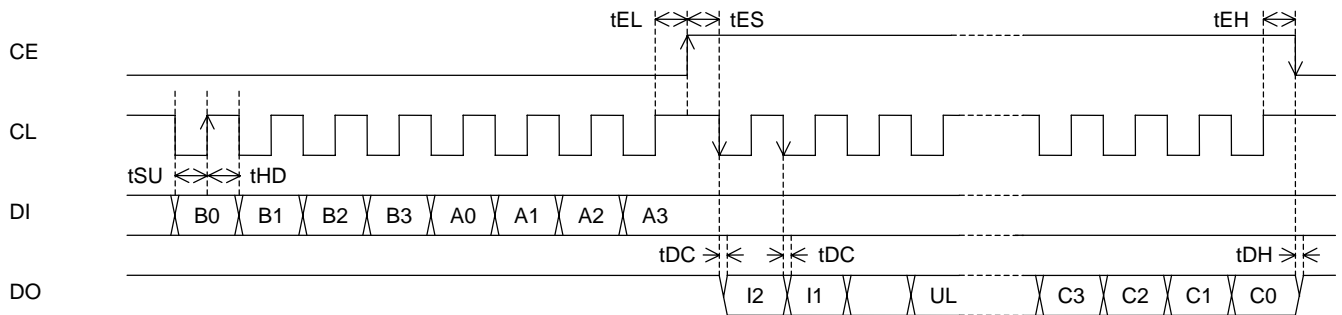


(2) CL: Normally LOW



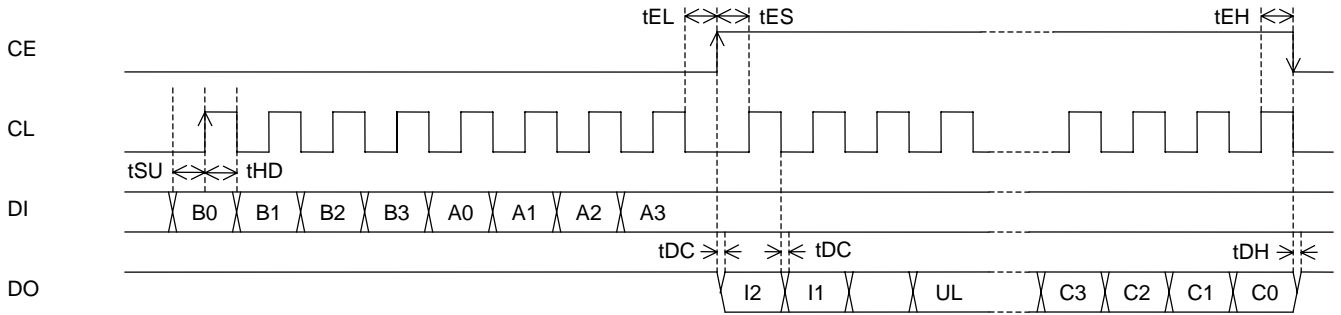
Serial data output (OUT) $t_{SU}, t_{HD}, t_{EL}, t_{ES}, t_{EH} \geq 0.75\mu s$ $t_{DC}, t_{DH} < 0.35\mu s$

(1) CL: Normally Hi



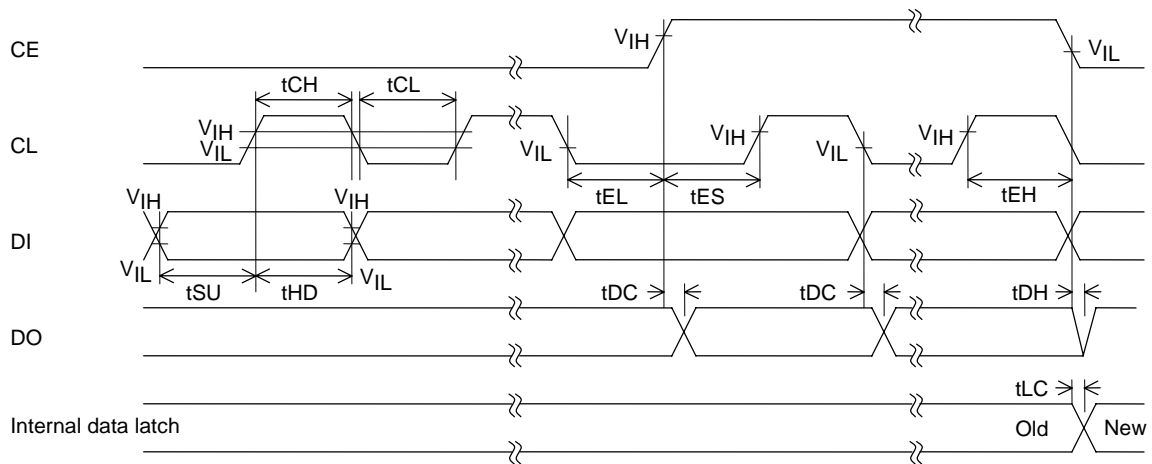
LV23002M

(2) CL: Normally low

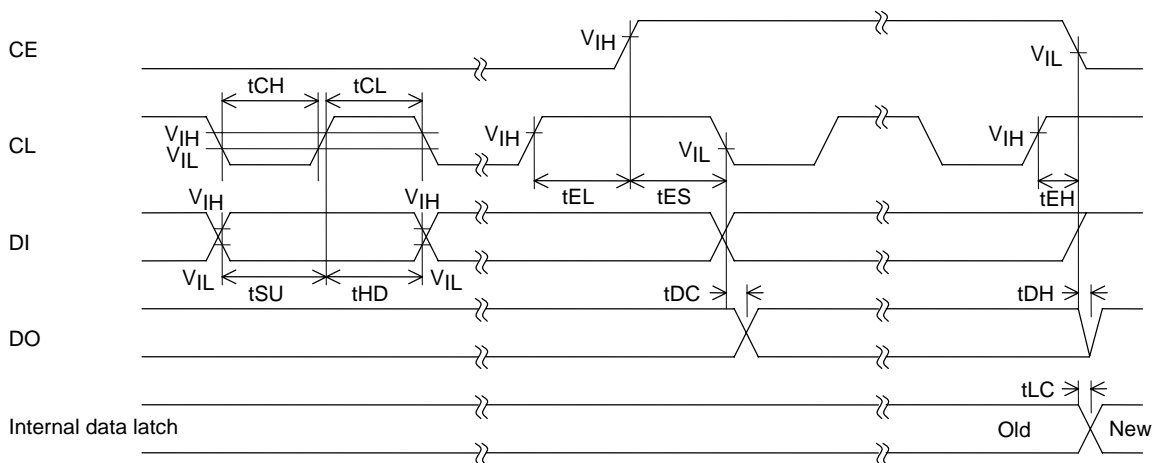


(Note) DO pin is an Nch open drain pin, so that the data varying time (t_{DC} and t_{DH}) differs depending on the pull-up resistance and substrate capacity.

Serial data timing



<< When CL stops at the "L" level >>



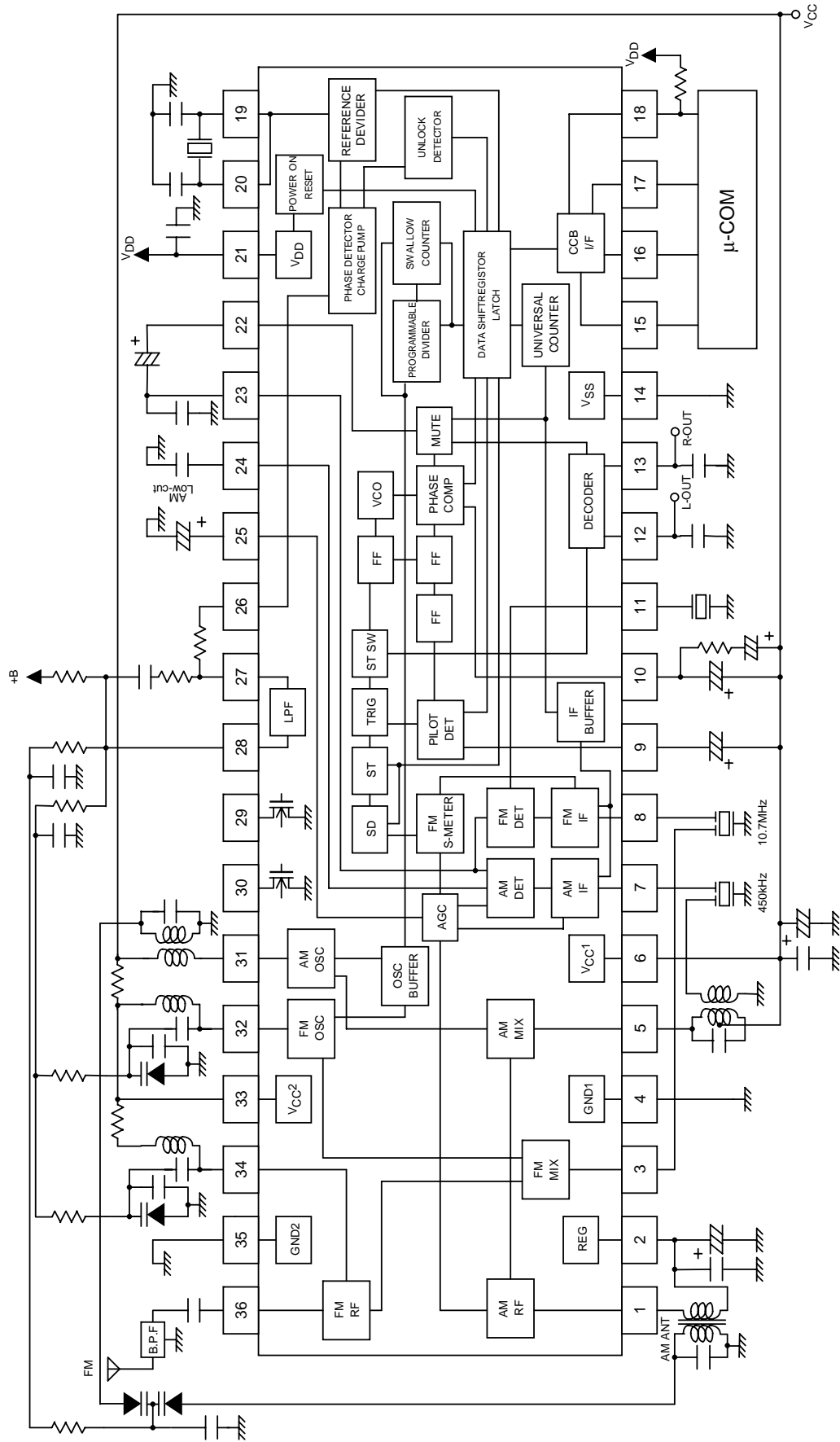
<< When CL stops at the "H" level >>

LV23002M

Parameter	Symbol	Pin	Conditions	min	typ	max	unit
Data setup time	tSU	DI, CL		0.75			μs
Data hold time	tHD	DI, CL		0.75			μs
Clock "L" level time	tCL	CL		0.75			μs
Clock "H" level time	tCH	CL		0.75			μs
CE wait time	tEL	CE, CL		0.75			μs
CE setup time	tES	CE, CL		0.75			μs
CE hold time	tEH	CE, CL		0.75			μs
Data latch change time	tLC					0.75	μs
Data output time	tDC	DO, CL	Differs depending on the pull-up resistance and substrate capacity			0.35	μs
	tDH	DO, CE					

LV23002M

Block Diagram



LV23002M

Coil specifications (bottom view)

• FM BPF : GFWB3 (Soshin) 76MHz to 108MHz	
• FM RF : SA-149 (Sumida) 3.6mm diameter, air core, 0.6mm wire, 4.5T: US band	
• FM OSC : SA-151 (Sumida) 3.6mm diameter, air core, 0.6mm wire, 3.5T: US band	
• FM IF filter: SFELA10M7FA00-B0 (Murata)	
• FM Ceramic-discriminator: CDALA10M7GE001-B0 (Murata)	
<p>• AM OSC: SA-181 (Sumida)</p> <p>⑥ - ④ 37T ③ - ① 74T 0.06UEW fo=796kHz Qo ≥ 80 L=140μH</p>	<p>• AM MIX: SA-164 (Sumida)</p> <p>③ - ② 122T ④ - ⑥ 9T ② - ① 62T 0.06UEW fo=450kHz, Qo ≥ 65 180pF internal</p>
• AM IF filter: SFULA450KU2B-B0 (Murata)	
<p>• MW Bar-antenna: C8E-A0105 (Toko)</p> <p>① - ② 67T ③ - ④ 9T fo = 796kHz Qu = 180min L = 260μH</p>	

- Specifications of any and all SANYO Semiconductor products described or contained herein stipulate the performance, characteristics, and functions of the described products in the independent state, and are not guarantees of the performance, characteristics, and functions of the described products as mounted in the customer's products or equipment. To verify symptoms and states that cannot be evaluated in an independent device, the customer should always evaluate and test devices mounted in the customer's products or equipment.
- SANYO Semiconductor Co., Ltd. strives to supply high-quality high-reliability products. However, any and all semiconductor products fail with some probability. It is possible that these probabilistic failures could give rise to accidents or events that could endanger human lives, that could give rise to smoke or fire, or that could cause damage to other property. When designing equipment, adopt safety measures so that these kinds of accidents or events cannot occur. Such measures include but are not limited to protective circuits and error prevention circuits for safe design, redundant design, and structural design.
- In the event that any or all SANYO Semiconductor products (including technical data, services) described or contained herein are controlled under any of applicable local export control laws and regulations, such products must not be exported without obtaining the export license from the authorities concerned in accordance with the above law.
- No part of this publication may be reproduced or transmitted in any form or by any means, electronic or mechanical, including photocopying and recording, or any information storage or retrieval system, or otherwise, without the prior written permission of SANYO Semiconductor Co., Ltd.
- Any and all information described or contained herein are subject to change without notice due to product/technology improvement, etc. When designing equipment, refer to the "Delivery Specification" for the SANYO Semiconductor product that you intend to use.
- Information (including circuit diagrams and circuit parameters) herein is for example only; it is not guaranteed for volume production. SANYO Semiconductor believes information herein is accurate and reliable, but no guarantees are made or implied regarding its use or any infringements of intellectual property rights or other rights of third parties.

This catalog provides information as of July, 2005. Specifications and information herein are subject to change without notice.