

74F114

Dual JK Negative Edge-Triggered Flip-Flop with Common Clocks and Clears

General Description

The 'F114 contains two high-speed JK flip-flops with common Clock and Clear inputs. Synchronous state changes are initiated by the falling edge of the clock. Triggering occurs at a voltage level of the clock and is not directly related to the transition time. The J and K inputs can change when the clock is in either state without affecting the flip-flop, provided that they are in the desired state during the recommended setup and hold times relative to the falling edge of the clock. A LOW signal on \bar{S}_D or \bar{C}_D prevents clocking and forces Q or \bar{Q} HIGH, respectively. Simultaneous LOW signals on \bar{S}_D and \bar{C}_D force both Q and \bar{Q} HIGH.

Asynchronous Inputs:

- LOW input to \bar{S}_D sets Q to HIGH level
- LOW input to \bar{C}_D sets Q to LOW level
- Clear and Set are independent of Clock
- Simultaneous LOW on \bar{C}_D and \bar{S}_D makes both Q and \bar{Q} HIGH

Features

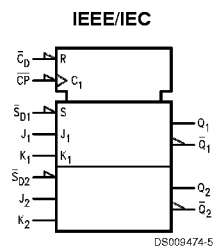
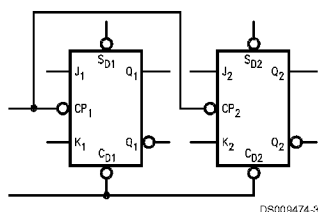
- Guaranteed 4000V minimum ESD protection

Ordering Code:

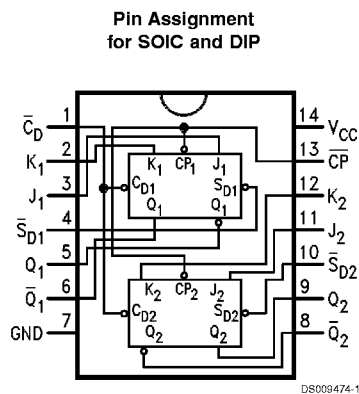
Commercial	Package Number	Package Description
74F114PC	N14A	14-Lead (0.300" Wide) Molded Dual-In-Line
74F114SC (Note 1)	M14A	14-Lead (0.150" Wide) Molded Small Outline, JEDEC

Note 1: Devices also available in 13" reel. Use suffix = SCX.

Logic Symbols



Connection Diagram



Unit Loading/Fan Out

Pin Names	Description	74F	
		U.L. HIGH/LOW	Input I_{IH}/I_{IL} Output I_{OH}/I_{OL}
J_1, J_2, K_1, K_2	Data Inputs	1.0/1.0	20 μA / -0.6 mA
\overline{CP}	Clock Pulse Input (Active Falling Edge)	1.0/8.0	20 μA / -4.8 mA
$\overline{C_D}$	Direct Clear Input (Active LOW)	1.0/10.0	20 μA / -6.0 mA
$\overline{S_{D1}}, \overline{S_{D2}}$	Direct Set Inputs (Active LOW)	1.0/5.0	20 μA / -3.0 mA
$Q_1, Q_2, \overline{Q_1}, \overline{Q_2}$	Outputs	50/33.3	-1 mA / 20 mA

Truth Table

Inputs					Outputs	
$\overline{S_D}$	$\overline{C_D}$	\overline{CP}	J	K	Q	\overline{Q}
L	H	X	X	X	H	L
H	L	X	X	X	L	H
L	L	X	X	X	H	H
H	H	\sim	h	h	$\overline{Q_0}$	Q_0
H	H	\sim	l	h	L	H
H	H	\sim	h	l	H	L
H	H	\sim	l	l	Q_0	$\overline{Q_0}$

H = HIGH Voltage Level

L = LOW Voltage Level

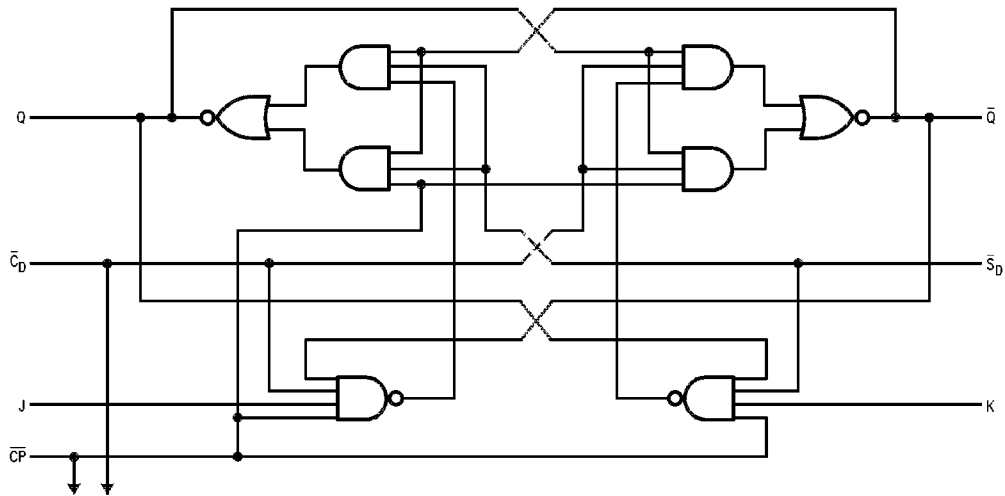
X = Immaterial

\sim = HIGH-to-LOW Clock Transition

Q_0 ($\overline{Q_0}$) = Before HIGH-to-LOW Transition of Clock

Lower case letters indicate the state of the referenced input or output one setup time prior to the HIGH-to-LOW clock transition.

Logic Diagram (one half shown)



DS009474-4

Please note that this diagram is provided only for the understanding of logic operations and should not be used to estimate propagation delays.

Absolute Maximum Ratings (Note 2)

Storage Temperature	-65°C to +150°C
Ambient Temperature under Bias	-55°C to +125°C
Junction Temperature under Bias	-55°C to +175°C
Plastic	-55°C to +150°C
V _{CC} Pin Potential to Ground Pin	-0.5V to +7.0V
Input Voltage (Note 3)	-0.5V to +7.0V
Input Current (Note 3)	-30 mA to +5.0 mA
Voltage Applied to Output in HIGH State (with V _{CC} = 0V)	
Standard Output	-0.5V to V _{CC}
3-STATE Output	-0.5V to +5.5V

Current Applied to Output in LOW State (Max) twice the rated I_{OL} (mA)

Recommended Operating Conditions

Free Air Ambient Temperature	
Commercial	0°C to +70°C
Supply Voltage	
Commercial	+4.5V to +5.5V

Note 2: Absolute maximum ratings are values beyond which the device may be damaged or have its useful life impaired. Functional operation under these conditions is not implied.

Note 3: Either voltage limit or current limit is sufficient to protect inputs.

DC Electrical Characteristics

Symbol	Parameter	74F			Units	V _{CC}	Conditions
		Min	Typ	Max			
V _{IH}	Input HIGH Voltage	2.0			V		Recognized as a HIGH Signal
V _{IL}	Input LOW Voltage	0.8			V		Recognized as a LOW Signal
V _{CD}	Input Clamp Diode Voltage	-1.2			V	Min	I _{IN} = -18 mA
V _{OH}	Output HIGH Voltage	74F 10% V _{CC}	2.5		V	Min	I _{OH} = -1 mA
		74F 5% V _{CC}	2.7				
V _{OL}	Output LOW Voltage	74F 10% V _{CC}	0.5		V	Min	I _{OL} = 20 mA
I _{IH}	Input HIGH Current	74F	5.0		μA	Max	V _{IN} = 2.7V
I _{BVI}	Input HIGH Current Breakdown Test	74F	7.0		μA	Max	V _{IN} = 7.0V
I _{CEX}	Output High Leakage Current	74F	50		μA	Max	V _{OUT} = V _{CC}
V _{ID}	Input Leakage Test	74F	4.75		V	0.0	I _{ID} = 1.9 μA All Other Pins Grounded
I _{OD}	Output Leakage Circuit Current	74F	3.75		μA	0.0	V _{IOD} = 150 mV All Other Pins Grounded
I _{IL}	Input LOW Current		-0.6 -3.0 -4.8 -6.0		mA	Max	V _{IN} = 0.5V (J _n , K _n) V _{IN} = 0.5V (\overline{S}_{Dn}) V _{IN} = 0.5V ($\overline{C}\overline{P}$) V _{IN} = 0.5V ($\overline{C}\overline{Dn}$)
I _{OS}	Output Short-Circuit Current		-60 -150				
I _{CCH}	Power Supply Current		12.0	19.0	mA	Max	V _O = HIGH
I _{CCL}	Power Supply Current		12.0	19.0	mA	Max	V _O = LOW

AC Electrical Characteristics

Symbol	Parameter	74F			74F		Units
		T _A = +25°C V _{CC} = +5.0V C _L = 50 pF			T _A , V _{CC} = Com C _L = 50 pF		
		Min	Typ	Max	Min	Max	
f _{max}	Maximum Clock Frequency	75	95		70		MHz

AC Electrical Characteristics (Continued)

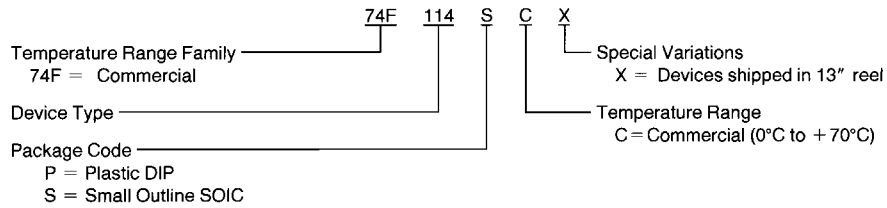
Symbol	Parameter	74F			74F		Units
		T _A = +25°C V _{CC} = +5.0V C _L = 50 pF			T _A , V _{CC} = Com C _L = 50 pF		
		Min	Typ	Max	Min	Max	
t _{PLH}	Propagation Delay CP̄ to Q _n or Q̄ _n	3.0	5.0	6.5	3.0	7.5	ns
t _{PHL}	CP̄ to Q _n or Q̄ _n	3.0	5.5	7.5	3.0	8.5	
t _{PLH}	Propagation Delay C̄ _{Dn} or S̄ _{Dn} to Q _n or Q̄ _n	3.0	4.5	6.5	3.0	7.5	ns
t _{PHL}	C̄ _{Dn} or S̄ _{Dn} to Q _n or Q̄ _n	3.0	4.5	6.5	3.0	7.5	

AC Operating Requirements

Symbol	Parameter	74F		74F		Units
		T _A = +25°C V _{CC} = +5.0V		T _A , V _{CC} = Com		
		Min	Max	Min	Max	
t _s (H)	Setup Time, HIGH or LOW	4.0		5.0		ns
t _s (L)	J _n or K _n to CP̄	3.0		3.5		
t _h (H)	Hold Time, HIGH or LOW	0		0		ns
t _h (L)	J _n or K _n to CP̄	0		0		
t _w (H)	CP̄ Pulse Width	4.5		5.0		ns
t _w (L)	HIGH or LOW	4.5		5.0		
t _w (L)	C̄ _{Dn} or S̄ _{Dn} Pulse Width, LOW	4.5		5.0		ns
t _{rec}	Recovery Time S̄ _{Dn} , C̄ _{Dn} , to CP̄	4.0		5.0		ns

Ordering Information

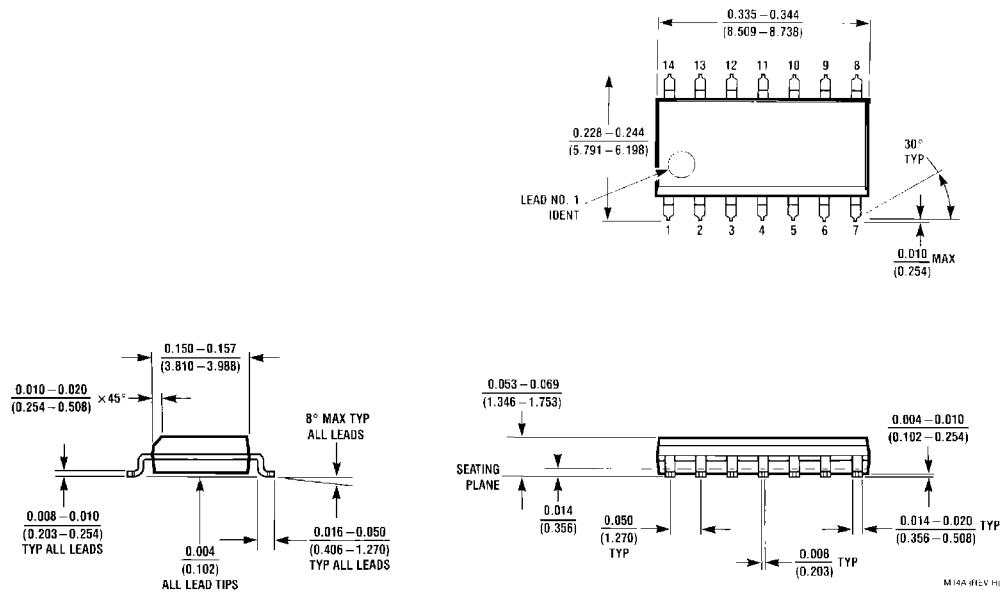
The device number is used to form part of a simplified purchasing code where the package type and temperature range are defined as follows:



DS009474-6

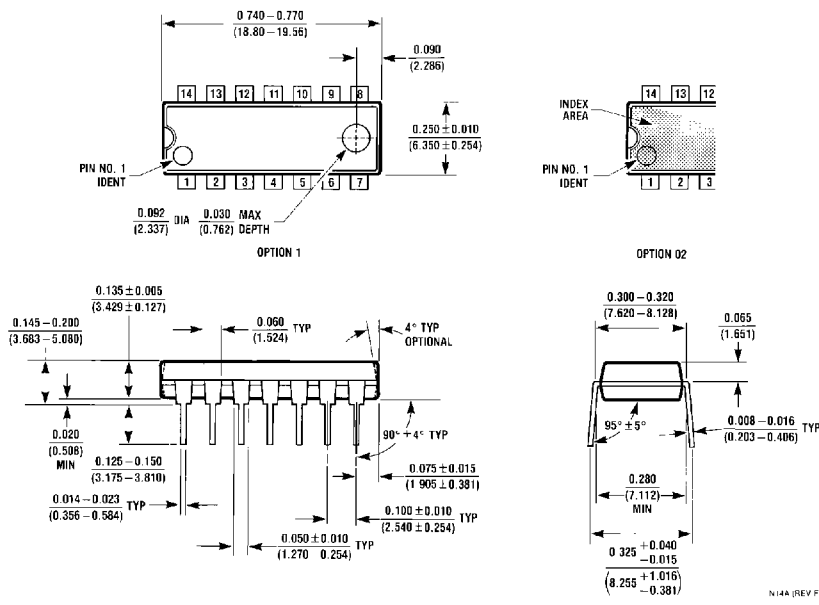
Physical Dimensions

inches (millimeters) unless otherwise noted



14-Lead (0.150" Wide) Molded Small Outline Package (S)
Package Number M14A

Physical Dimensions inches (millimeters) unless otherwise noted (Continued)



**14-Lead (0.150" Wide) Molded Dual-In-Line Package (P)
Package Number N14A**

LIFE SUPPORT POLICY

FAIRCHILD'S PRODUCTS ARE NOT AUTHORIZED FOR USE AS CRITICAL COMPONENTS IN LIFE SUPPORT DEVICES OR SYSTEMS WITHOUT THE EXPRESS WRITTEN APPROVAL OF THE PRESIDENT OF FAIRCHILD SEMICONDUCTOR CORPORATION. As used herein:

1. Life support devices or systems are devices or systems which, (a) are intended for surgical implant into the body, or (b) support or sustain life, and (c) whose failure to perform when properly used in accordance with instructions for use provided in the labeling, can be reasonably expected to result in a significant injury to the user.
2. A critical component in any component of a life support device or system whose failure to perform can be reasonably expected to cause the failure of the life support device or system, or to affect its safety or effectiveness.

Fairchild Semiconductor Corporation
Americas
Customer Response Center
Tel: 1-888-522-5372

Fairchild Semiconductor Europe
Fax: +49 (0) 1 80-530 85 86
Email: europe.support@nsc.com
Deutsch Tel: +49 (0) 8 141-35-0
English Tel: +44 (0) 1 793-85-68-56
Italy Tel: +39 (0) 2 57 5631

Fairchild Semiconductor Hong Kong Ltd.
13th Floor, Straight Block,
Ocean Centre, 5 Canton Rd.
Tsimshatsui, Kowloon
Hong Kong
Tel: +852 2737-7200
Fax: +852 2314-0061

National Semiconductor Japan Ltd.
Tel: 81-3-5620-6175
Fax: 81-3-5620-6179

www.fairchildsemi.com