



Is Now Part of



ON Semiconductor®

To learn more about ON Semiconductor, please visit our website at
www.onsemi.com

ON Semiconductor and the ON Semiconductor logo are trademarks of Semiconductor Components Industries, LLC dba ON Semiconductor or its subsidiaries in the United States and/or other countries. ON Semiconductor owns the rights to a number of patents, trademarks, copyrights, trade secrets, and other intellectual property. A listing of ON Semiconductor's product/patent coverage may be accessed at www.onsemi.com/site/pdf/Patent-Marking.pdf. ON Semiconductor reserves the right to make changes without further notice to any products herein. ON Semiconductor makes no warranty, representation or guarantee regarding the suitability of its products for any particular purpose, nor does ON Semiconductor assume any liability arising out of the application or use of any product or circuit, and specifically disclaims any and all liability, including without limitation special, consequential or incidental damages. Buyer is responsible for its products and applications using ON Semiconductor products, including compliance with all laws, regulations and safety requirements or standards, regardless of any support or applications information provided by ON Semiconductor. "Typical" parameters which may be provided in ON Semiconductor data sheets and/or specifications can and do vary in different applications and actual performance may vary over time. All operating parameters, including "Typicals" must be validated for each customer application by customer's technical experts. ON Semiconductor does not convey any license under its patent rights nor the rights of others. ON Semiconductor products are not designed, intended, or authorized for use as a critical component in life support systems or any FDA Class 3 medical devices or medical devices with a same or similar classification in a foreign jurisdiction or any devices intended for implantation in the human body. Should Buyer purchase or use ON Semiconductor products for any such unintended or unauthorized application, Buyer shall indemnify and hold ON Semiconductor and its officers, employees, subsidiaries, affiliates, and distributors harmless against all claims, costs, damages, and expenses, and reasonable attorney fees arising out of, directly or indirectly, any claim of personal injury or death associated with such unintended or unauthorized use, even if such claim alleges that ON Semiconductor was negligent regarding the design or manufacture of the part. ON Semiconductor is an Equal Opportunity/Affirmative Action Employer. This literature is subject to all applicable copyright laws and is not for resale in any manner.



AN-9098

Smart Power Module, Motion SPM[®] 55 V2 Series User's Guide

Table of Contents

1.	Introduction	2
1.1	Design Concept.....	2
1.2	Ordering Information	3
1.3	Features and Integrated Functions	4
2.	Product Synopsis	5
2.1	Detailed Pin Definition & Notification	6
2.2	Absolute Maximum Ratings	7
2.3	Electrical Characteristics	9
3.	Package	11
4.	Detailed Package Outline Drawings	12
4.1	Marking Information	14
5.	Operating Sequence for Protections	15
5.1	Inter-lock function	15
5.2	Short-Circuit Current Protection (SCP)	15
5.3	Under-Voltage Lockout Protection	17
6.	Key Parameter Design Guidance	18
6.1	Shunt Resistor Selection at N-Terminal for Current Sensing & Protection.....	18
6.2	Time Constant of Internal Delay	20
6.3	Soft Turn-Off	20
6.4	Multi function pin (VF)	21
6.5	Circuit of Input Signal (IN(xH), IN(xL))	22
6.6	Bootstrap Circuit Design	22
6.6.1.	Operation of Bootstrap Circuit.....	22
6.6.2.	Selection of Bootstrap Capacitor Considering Initial Charging	23
6.6.3.	Selection of Bootstrap Capacitor Considering Operating	24
7.	Print Circuit Board (PCB) Design	25
7.1	General Application Circuit Example	25
7.2	PCB Layout Guidance.....	26
8.	Packing Information	27
9.	Related Resources	28

1. Introduction

This application note supports the Motion SPM[®] 55 V2 series. Enlarged line up and integrated bootstrap circuit are applied to the Motion SPM[®] 55 V2 from Motion SPM[®] 55 V1. It should be used in conjunction with Motion SPM[®] 55 V2 datasheets, Fairchild's Motion SPM evaluation board user guides, and application notes which can be found on the web pages of which links are listed in *Section 9 Related Resources*.

1.1 Design Concept

Motion SPM[®] 55 V2 series are developed to provide a minimized package and low power consumption with improved reliability. This is achieved by applying a new 600 V gate-driving high-voltage integrated circuit (HVIC), a new insulated-gate bipolar transistor (IGBT) of advanced silicon technology. Motion SPM[®] 55 V2 achieves reduced

board size and improved reliability compared to existing discrete solutions. Target applications are inverterized motor drives for low power motor drives, such as washing machine, air conditioners, refrigerator and etc.

The temperature sensing function is implemented in drive IC to enhance the system reliability. An analog voltage proportional to the temperature of the drive IC is provided for monitoring the module temperature and necessary protections against over-temperature situations. Most customers want to know the exact temperature of power chips because temperature affects the quality, reliability, and longevity of the products. The temperature sensing function of the Motion SPM[®] 55 V2 helps to measure internal temperature in module effectively and easily. In addition, bootstrap circuit is integrated in driver for driving of high side IGBTs.

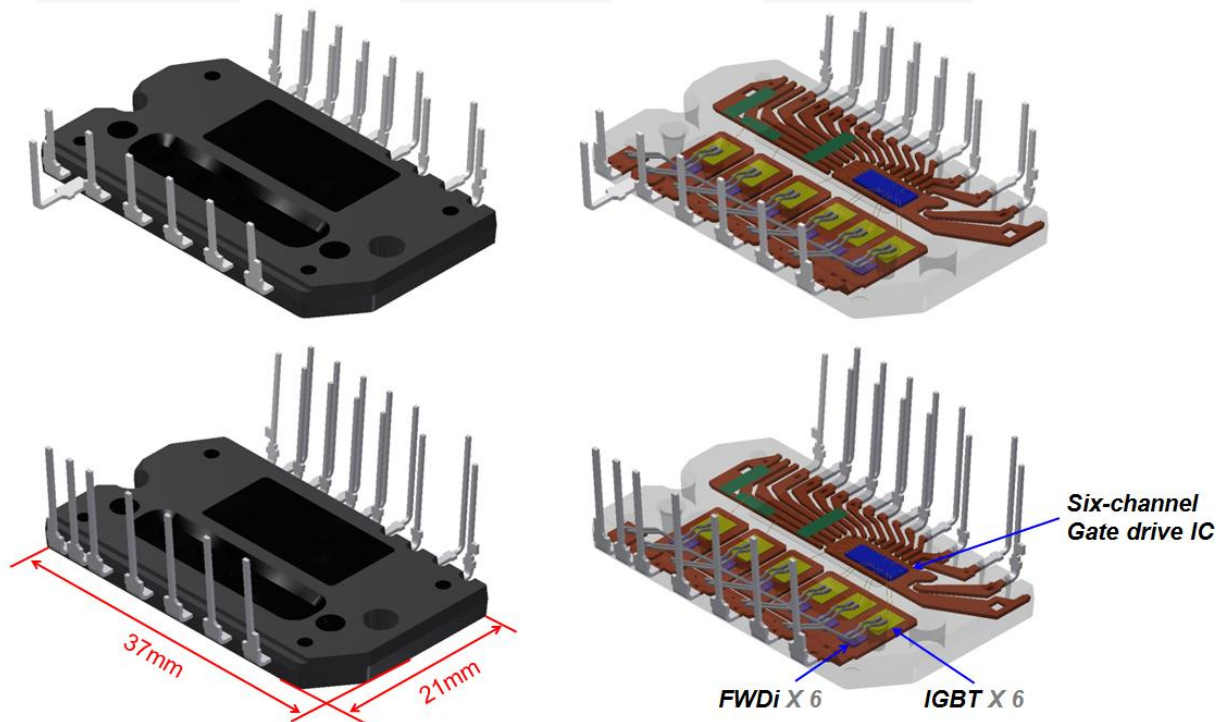


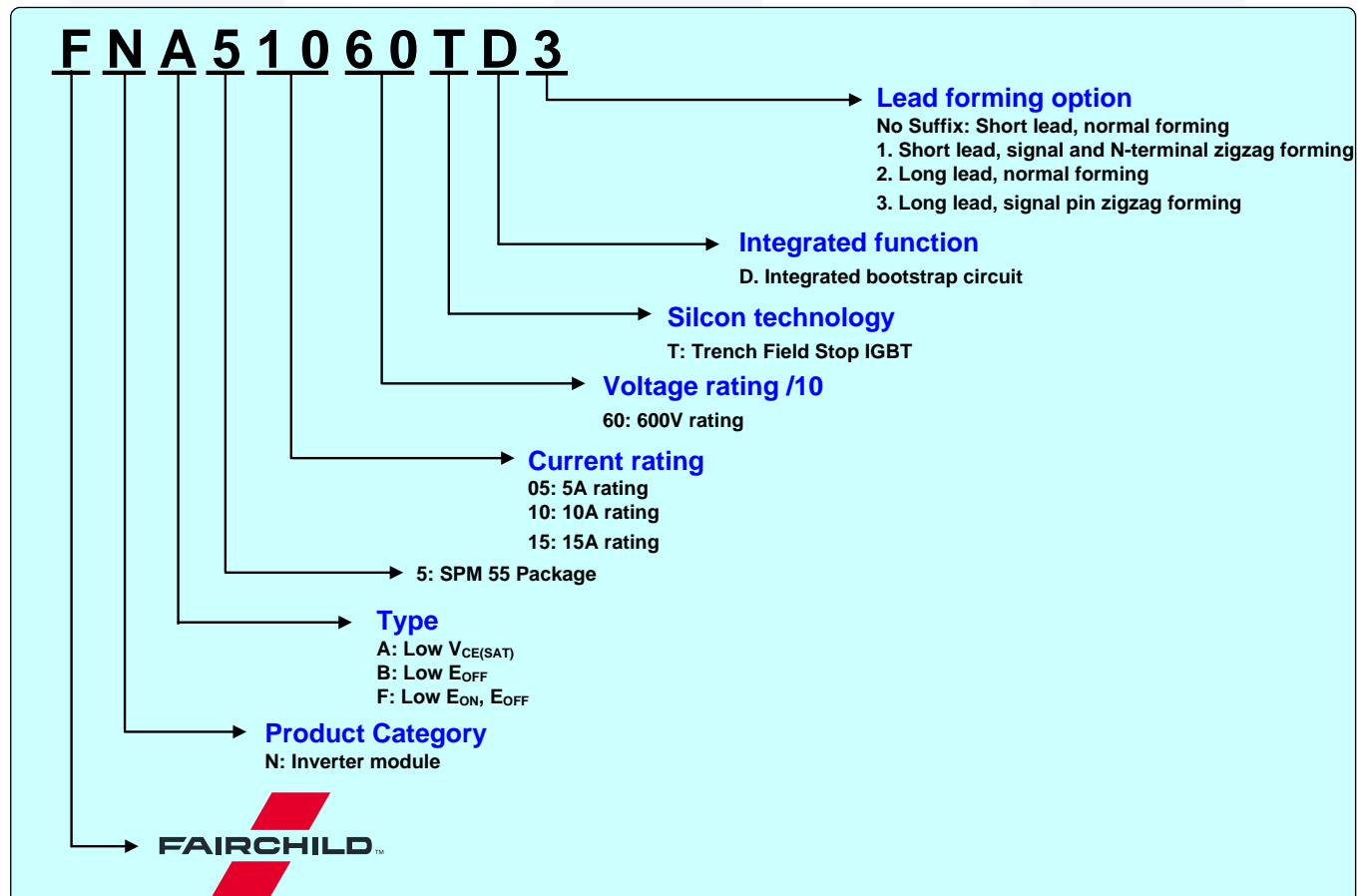
Figure 1. External View and Internal Structure of Motion SPM[®] 55 V2 Series
Top: FNx5xx60TD1 (Short Lead Type with Zigzag N-Terminal), Bottom: FNx5xx60TD3 (Long Lead Type)

Table 1. Product Line-up and Target Application

Fairchild Device	Type	IGBT Rating	Motor Rating ⁽¹⁾	Target Application	Isolation Voltage
FNB50560TDx	Low E _{OFF}	5 A / 600 V	0.4 kW / 220 V _{AC}	Refrigerator, Fan, Pump, Dish Washer	V _{ISO} = 1500 V _{RMS} (Sine 60 Hz, 1-min between All Shorted Pins and Heat Sink)
FNF50560TDx	Low E _{ON} , E _{OFF}	5 A / 600 V	0.4 kW / 220 V _{AC}		
FNA51060TDx	Low V _{CE(SAT)}	10 A / 600 V	0.4 kW / 220 V _{AC}	Refrigerator, Air Conditioner	
FNB51060TDx	Low E _{OFF}	10 A / 600 V	0.75 kW / 220 V _{AC}	Fan, Washing Machine	
FNF51060TDx	Low E _{ON} , E _{OFF}	10 A / 600 V	0.75 kW / 220 V _{AC}		
FNA51560TDx	Low V _{CE(SAT)}	15 A / 600 V	0.75 kW / 220 V _{AC}	Air Conditioner	
FNB51560TDx	Low E _{OFF}	15 A / 600 V	0.75 kW / 220 V _{AC}	Washing Machine	
FNF51560TDx	Low E _{ON} , E _{OFF}	15 A / 600 V	0.75 kW / 220 V _{AC}		

Notes:

- These motor ratings are simulation results under following conditions: V_{AC} = 220 V, V_{DD} = 15 V, T_C = 100°C, T_J = 150°C, PF=0.8, MI=0.9, Motor efficiency=0.75, overload 150% for 1min.
These motor ratings are general ratings, so may change by conditions.
- An online loss and temperature simulation tool, Motion Control Design Tool (<https://www.fairchildsemi.com/design/design-tools/motion-control-design-tool/>), is recommended for choosing the right SPM product for the application.

1.2 Ordering Information**Figure 2. Ordering Information**

1.3 Features and Integrated Functions

- Full Mold Package
 - 1500 Vrms Isolation Voltage from Pins to Heat Sink
- Integrated Components:
 - Six-Channel Gate Drive IC for High and Low Side IGBTs Control
 - Six IGBTs / Diodes
- Single DC Supply can be used with internal Bootstrap Circuit
- Features and Functions
 - Low-Loss, Short-Circuit Rated IGBTs
 - High-Voltage Level-Shift Circuit
 - Input interface: Active HIGH
 - Compatible for 3.3 / 5 V Controller Outputs
 - High Side Under-Voltage Lockout without Fault Signal
 - Low Side Under-Voltage Lockout with Fault Signal
 - Short-Circuit, Over-Current Protection By Detecting Sense Current from External Resistor
 - Temperature Sensing
 - Shut Down Function
 - Inter Lock Function
 - Soft Turn-off to Prevent Excessive Surge Voltage
 - Open Emitter Configuration for Current Sensing of Each Phase

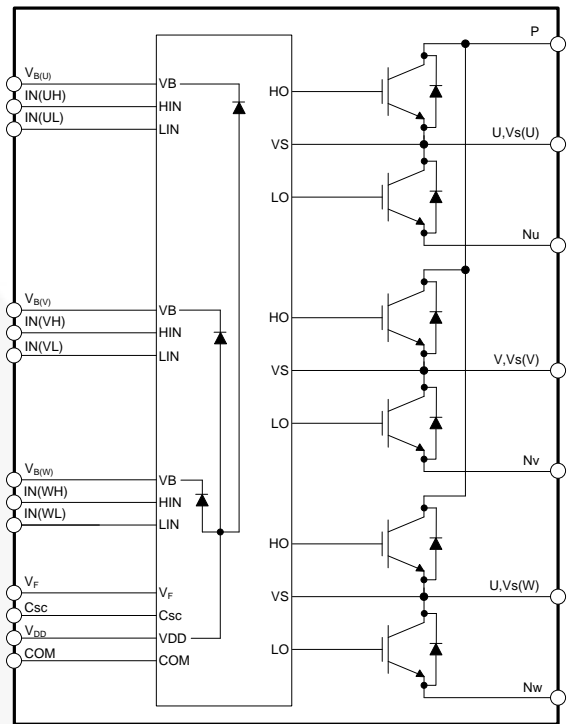


Figure 3. Internal Equivalent Circuit, Input / Output Pins

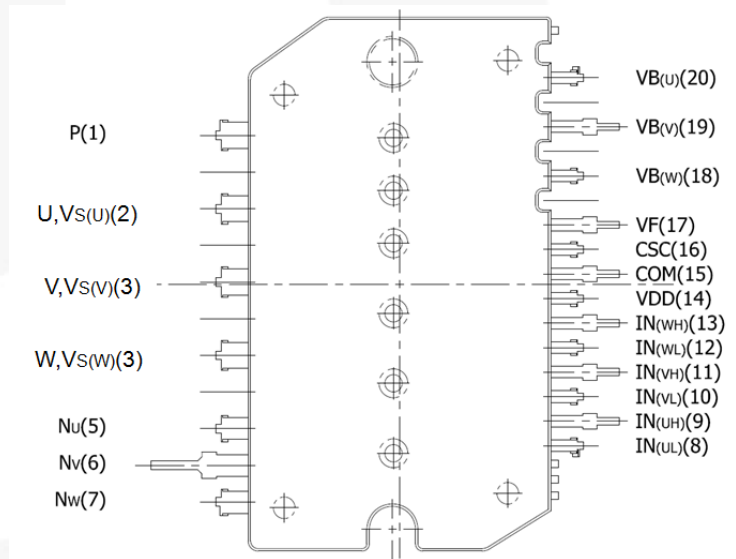


Figure 4. Package Top-View and Pin Assignment (FNx5xx60TD1)

2. Product Synopsis

This section discusses pin descriptions, electrical specifications, characteristics, and packaging.

Table 2. Pin Description

Pin Number	Name	Description
1	P	Positive DC Link Input
2	$U, V_{S(U)}$	Output for U Phase
3	$V, V_{S(V)}$	Output for V Phase
4	$W, V_{S(W)}$	Output for W Phase
5	N_U	Negative DC Link Input for U Phase
6	N_V	Negative DC Link Input for V Phase
7	N_W	Negative DC Link Input for W Phase
8	$IN_{(UL)}$	Signal Input for Low-Side U Phase
9	$IN_{(UH)}$	Signal Input for High-Side U Phase
10	$IN_{(VL)}$	Signal Input for Low-Side V Phase
11	$IN_{(VH)}$	Signal Input for High-Side V Phase
12	$IN_{(WL)}$	Signal Input for Low-Side W Phase
13	$IN_{(WH)}$	Signal Input for High-Side W Phase
14	VDD	Common Bias Voltage for IC and IGBTs Driving
15	COM	Common Supply Ground
16	C_{SC}	Shut Down Input for Over Current Protection
17	V_F	Fault Output, Shut Down Input, Temperature Output of Drive IC
18	$V_{B(W)}$	High-Side Bias Voltage for U-Phase IGBT Driving
19	$V_{B(V)}$	High-Side Bias Voltage for V-Phase IGBT Driving
20	$V_{B(U)}$	High-Side Bias Voltage for W-Phase IGBT Driving

2.1 Detailed Pin Definition & Notification

- High-side bias voltage pins for driving the IGBT / high-side bias voltage ground pins for driving the IGBTs:
 - ▶ Pins: $V_{B(U)}-V_{S(U)}$, $V_{B(V)}-V_{S(V)}$, $V_{B(W)}-V_{S(W)}$
 - These are drive power supply pins for providing gate drive power to the high-side IGBTs.
 - The virtue of the ability to bootstrap the circuit scheme is that no external power supplies are required for the high-side IGBTs.
 - Each bootstrap capacitor is charged from the V_{DD} supply during ON state of the corresponding low-side IGBT and low side diode.
 - To prevent malfunctions caused by noise and ripple in the supply voltage, a low-ESR, low-ESL filter capacitor should be mounted very close to these pins.
- Bias voltage pins for gate drive IC:
 - ▶ Pins: VDD
 - This is a control supply pin for the built-in gate drive IC.
 - To prevent malfunctions caused by noise and ripple in the supply voltage, a low-ESR, low-ESL filter capacitor should be mounted very close to this pin.
- Low-side common supply ground pin
 - ▶ Pins: COM
 - This is a supply ground pin for the built-in gate drive IC.
 - Important! To avoid noise influences, the main power circuit current should not be allowed to flow through this pin.
- Signal input pins
 - ▶ Pins: $IN_{(UH)}$, $IN_{(UL)}$, $IN_{(VH)}$, $IN_{(VH)}$, $IN_{(WH)}$, $IN_{(WL)}$
 - These pins control the operation of the built-in IGBTs.
 - They are activated by voltage input signals. The terminals are internally connected to a Schmitt-trigger circuit composed of 3.3 / 5 V-class CMOS.
 - The signal logic of these pins is active high. The IGBT associated with each of these pins is turned ON when a sufficient logic voltage is applied to these pins.
 - The wiring of each input should be as short as possible to protect the Motion SPM[®] 55 V2 against noise influences.
 - To prevent signal oscillations, an RC coupling as illustrated in Figure 27 is recommended.
- Short-circuit and over-current detection input pin
 - ▶ Pin: CSC
 - The current detecting resistor should be connected between the CSC and COM pins to detect over-current and short-circuit current (*refer to Figure 19*).
 - The shunt resistor should be selected to meet the detection levels matched for the specific application. An RC filter should be connected to the CSC pin to eliminate noise.
 - The connection length between the shunt resistor and CSC pin should be minimized.
- Fault output / Shut down input / Temperature output
 - ▶ Pin: VF
 - This is a multi function pin of fault output, shut down input and temperature output of drive IC. Firstly, this is the fault output alarm pin. An active LOW output is given on this pin for a fault state condition in the motion SPM[®] 55 V2. The alarm conditions are: Short-Circuit Current Protection (SCP), and low-side bias Under-Voltage Lockout (UVLO). The output from VF pin is open drain configured. The signal line of VF pin should be pulled to the 5 V logic power supply with approximately 4.7 k Ω resistance.
 - Secondly, this is the shut down input pin. An active LOW input can be given on this pin for shutdown of Motion SPM[®] 55 V2 by external control.
 - Thirdly, this pin provides the temperature output of drive IC. Output voltage is determined by pull up voltage, pull up resistance and the temperature of drive IC. Thus, this pin can be used as a replacement of the thermistor.
- Positive DC-link pin
 - ▶ Pin: P
 - This is the DC-link positive power supply pin of the inverter.
 - It is internally connected to the collectors of the high-side IGBTs.
 - To suppress surge voltage caused by the DC-link wiring or PCB pattern inductance, connect a smoothing filter capacitor close to this pin (tip: a metal film capacitor is typically used).
- Negative DC-link pins
 - ▶ Pins: N_U , N_V , N_W
 - These are the DC-link negative power supply pins (power ground) of the inverter. These pins are connected to the low-side IGBT emitters of the each phase.
- Inverter power output pins
 - ▶ Pins: U, V, W
 - Inverter output pins for connecting to the inverter load (e.g. motor).

2.2 Absolute Maximum Ratings

$T_J = 25^\circ\text{C}$, unless otherwise specified.

Table 3. Inverter

Symbol	Parameter	Conditions	Rating	Unit	
V_{PN}	Supply Voltage	Applied between P – N_U , N_V , N_W	450	V	
$V_{PN(\text{Surge})}$	Supply Voltage (Surge)	Applied between P – N_U , N_V , N_W	500	V	
V_{CES}	Collector – Emitter Voltage		600	V	
$\pm I_C$	Each IGBT Collector Current	$T_C=25^\circ\text{C}$, $T_J \leq 150^\circ\text{C}$	FNB(F)50560TDx	5	A
			FNA51060TDx	10	
			FNB51060TDx	10	
			FNA51560TDx	15	
			FNB(F)51560TDx	15	
$\pm I_{CP}$	Each IGBT Collector Current (Peak)	$T_C=25^\circ\text{C}$, $T_J \leq 150^\circ\text{C}$, Under 1 ms Pulse Width	FNB(F)50560TDx	10	A
			FNA51060TDx	20	
			FNB51060TDx	20	
			FNA51560TDx	30	
			FNB(F)51560TDx	30	
P_C	Collector Dissipation	$T_C=25^\circ\text{C}$ per One Chip	FNB(F)50560TDx	19	W
			FNA51060TDx	22	
			FNB51060TDx	21	
			FNA51560TDx	27	
			FNB(F)51560TDx	22	
T_J	Operating Junction Temperature ⁽³⁾		-40~150	$^\circ\text{C}$	

Note:

3. The maximum junction temperature rating of the power chips integrated within the Motion SPM[®] 55 V2 products is 150°C .

Table 4. Control Part

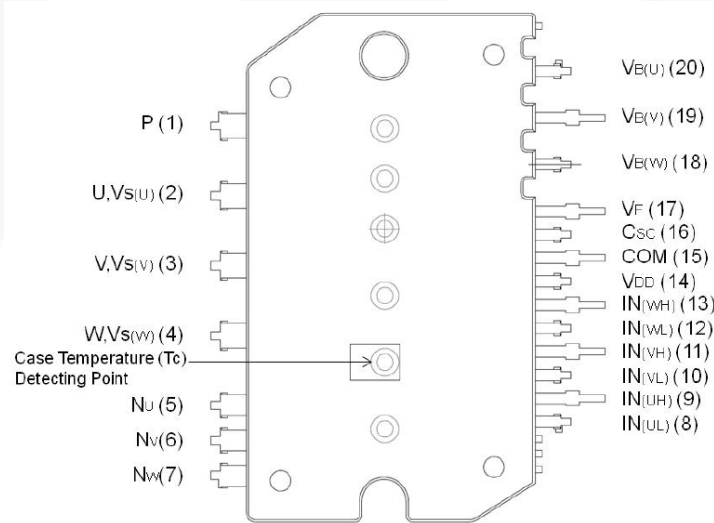
Symbol	Parameter	Conditions	Rating	Unit
V_{DD}	Control Supply Voltage	Applied between V_{DD} - COM	20	V
V_{BS}	High-Side Control Bias Voltage	Applied between $V_{B(x)}$ – $V_{S(x)}$	20	V
V_{IN}	Input Signal Voltage	Applied between $IN_{(xH)}$, $IN_{(xL)}$ - COM	-0.3~ $V_{DD}+0.3$	V
V_F	Fault Supply Voltage	Applied between V_F - COM	-0.3~ $V_{DD}+0.3$	V
I_F	Fault Current	Sink Current at V_F Pin	5	mA
V_{SC}	Current Sensing Input Voltage	Applied between CSC - COM	-0.3~ $V_{DD}+0.3$	V

Table 5. Total System

Symbol	Parameter	Conditions	Rating	Unit
$V_{PN(\text{PROT})}$	Self Protection Supply Voltage Limit (Short-Circuit Protection Capability)	V_{DD} , $V_{BS}=13.5\text{--}16.5\text{ V}$, $T_J=150^\circ\text{C}$, Non-Repetitive, $< 2\ \mu\text{s}$	400	V
T_{STG}	Storage Temperature		-40~125	$^\circ\text{C}$
V_{ISO}	Isolation Voltage	60 Hz, Sinusoidal, 1-Minute,	1500	V_{rms}

Table 6. Thermal Resistance

Symbol	Parameter	Conditions	Rating	Unit	
$R_{th(j-c)Q}$	Junction-to-Case Thermal Resistance	Inverter IGBT Part (per 1/6 Module)	FNB(F)50560TDx	6.5	°C/W
			FNA51060TDx	5.6	
			FNB51060TDx	5.9	
			FNA51560TDx	4.55	
			FNB(F)51560TDx	5.6	
$R_{th(j-c)F}$		Inverter FWD Part (per 1/6 Module)	FNB(F)50560TDx	8.9	
			FNA51060TDx	6.9	
			FNB51060TDx	7.6	
			FNA51560TDx	5.4	
			FNB(F)51560TDx	6.9	

**Figure 5. Case Temperature (T_c) Detecting Point (FNx5xx60TD1)****Table 7. Recommended Operating Conditions (Based on FNB51560TDx)**

Symbol	Parameter	Conditions	Min.	Typ.	Max.	Unit
V_{PN}	Supply Voltage	Applied between P - NU, NV, NW		300	400	V
V_{DD}	Control Supply Voltage	Applied between VDD - COM	14.0	15.0	16.5	V
V_{BS}	High-Side Bias Voltage	Applied between $V_{B(x)} - X, V_{S(x)}$	13.0	15.0	18.5	V
$\frac{dV_{DD}/dt, dV_{BS}/dt}$	Control Supply Variation		-1		+1	V/ μ s
t_{dead}	Blanking Time for Preventing Arm-Short	For Each Input Signal	0.5			μ s
f_{PWM}	PWM Input Signal	$-40^\circ\text{C} \leq T_c \leq 125^\circ\text{C}, -40^\circ\text{C} \leq T_J \leq 150^\circ\text{C}$			20	kHz
V_{SEN}	Voltage for Current Sensing	Applied between NU, NV, NW - COM (Including Surge Voltage)	-4		4	V
$P_{WIN(ON)}$	Minimum Input Pulse Width ⁽⁴⁾		0.7			μ s
$P_{WIN(OFF)}$			0.7			

Note:

4. This product may not make response if the input pulse width is less than the recommended value.

2.3 Electrical Characteristics

T_J = 25°C, unless otherwise specified.

Table 8. Inverter Part (Based on FNB51560TDx)

Symbol	Parameter	Conditions	Min.	Typ.	Max.	Unit	
V _{CE(SAT)}	Collector–Emitter Saturation Voltage	V _{DD} , V _{BS} =15 V, V _{IN} =5 V, I _C =10 A	T _J =25°C	1.90	2.20	V	
			T _J =150°C	2.4			
V _F	FWD Forward Voltage	V _{IN} =0 V, I _F =10 A	T _J =25°C	2.00	2.45	V	
			T _J =150°C	1.9			
HS	Switching Times	V _{PN} =400 V, V _{DD} =15 V, V _{BS} =15 V, I _C =15 A T _J =25, V _{IN} =0 V ↔5 V, Inductive Load ⁽⁵⁾	t _{ON}	0.40	0.70	μs	
			t _{C(ON)}		0.20		0.42
			t _{OFF}		0.50		0.70
			t _{C(OFF)}		0.10		0.20
			t _{rr}		0.06		
LS	Switching Times		t _{ON}	0.40	0.70		1.00
			t _{C(ON)}		0.20		0.42
			t _{OFF}		0.50		0.70
			t _{C(OFF)}		0.10		0.20
			t _{rr}		0.06		
I _{CES}	Collector – Emitter Leakage Current	V _{CE} =V _{CES}			1	mA	

Note:

5. t_{ON} and t_{OFF} include the propagation delay of the internal drive IC. t_{C(ON)} and t_{C(OFF)} are the switching times of the IGBT itself under the given gate driving condition internally. For the detailed information, see Figure 6 and Figure 7.

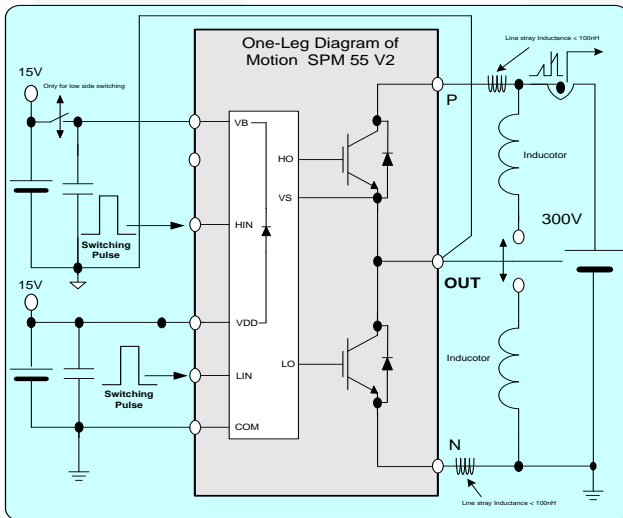


Figure 6. Switching Evaluation Circuit

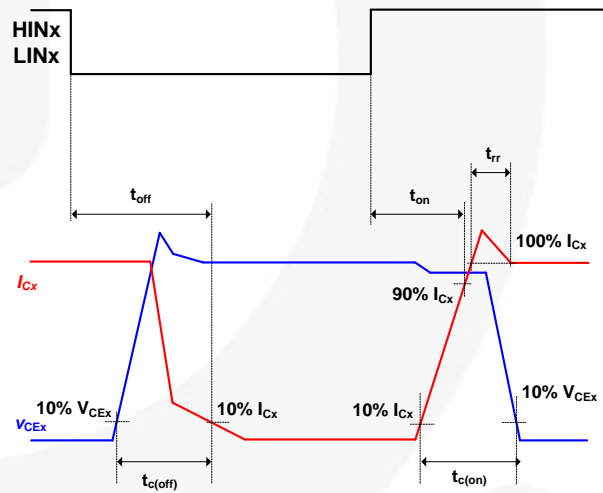


Figure 7. Switching Time Definition

Table 9. Control Part (Based on FNB51560TDx)

Symbol	Parameter	Conditions	Min.	Typ.	Max.	Unit	
I_{QDD}	Quiescent V_{DD} Supply Current	$V_{DD}=15\text{ V}$, $IN(xH), IN(xL)=0\text{ V}$	VDD - COM		1.5	2.0	mA
I_{PDD}	Operating V_{DD} Supply Current	$V_{DD}=15\text{ V}$, $f_{PWM}=20\text{ kHz}$, Duty=50%, Applied to One PWM Signal Input for High Side	VDD - COM		1.8	2.5	mA
I_{QBS}	Quiescent V_{BS} Supply Current	$V_{BS}=15\text{ V}$, $IN(xH)=0\text{ V}$	Applied between $VB(x) -VS(x)$		30	55	μA
I_{PBS}	Operating V_{BS} Supply Current	$V_{DD}, V_{BS}=15\text{ V}$, $f_{PWM}=20\text{ kHz}$, Duty=50%, Applied to One PWM Signal Input for High Side	Applied between $VB(x) -VS(x)$		400	550	μA
V_{FH}	Fault Output Voltage	$V_{DD}=15\text{ V}$, $V_{SC}=0\text{ V}$, V_F Circuit: 4.7 k Ω to 5 V Pull-up	4.5			V	
V_{FL}		$V_{DD}=15\text{ V}$, $V_{SC}=1\text{ V}$, V_F Circuit: 4.7 k Ω to 5 V Pull-up			0.5		
$V_{SC(ref)}$	Short-Circuit Trip Level	$V_{DD}=15\text{ V}^{(6)}$	CSC - COM	0.45	0.50	0.55	V
UV_{DDD}	Supply Circuit, Under-Voltage Protection	Detection Level		10.7	11.4	12.1	V
UV_{DDR}		Reset Level		11.2	12.3	13.0	
UV_{BSD}		Detection Level		10.1	10.8	11.5	
UV_{BSR}		Reset Level		10.7	11.4	12.1	
I_{FT}	HVIC Temperature Sensing Current	$V_{DD}=15\text{ V}$, $V_{BS}=15\text{ V}$, $T_{HVIC}=25^\circ\text{C}$		68	81	95	μA
V_{TS}	HVIC Temperature Sensing Voltage	$V_{DD}=15\text{ V}$, $V_{BS}=15\text{ V}$, $T_{HVIC}=25^\circ\text{C}$, 10 k Ω to 5 V Pull-up		4.05	4.19	4.32	V
t_{FOD}	Fault-Out Pulse Width			40	120		μs
V_{FSDR}	Shut Down Reset Level	Applied between V_F - COM				2.4	V
V_{FSDS}	Shut Down Set Level			0.8			
$V_{IN(ON)}$	ON Threshold Voltage	Applied between $IN(xH), IN(xL)$ - COM				2.4	V
$V_{IN(OFF)}$	OFF Threshold Voltage			0.8			

Note:

6. Short-circuit current protection function is for all six IGBTs

3. Package

Since heat dissipation is an important factor in limiting the power module's current capability, the heat dissipation characteristics of a package are important in determining the performance. A trade-off exists among heat dissipation characteristics, package size, and isolation characteristics. The key to good package technology lies in the optimization of package size while maintaining outstanding heat dissipation.

In Motion SPM[®] 55 V2, technology was developed with full pack substrate keeping small thickness between lead frame and module case. Power chips are attached directly to the lead frame. Figure 8 and Figure 9 show the package outline and the cross-sections of the Motion SPM[®] 55 V2 package.

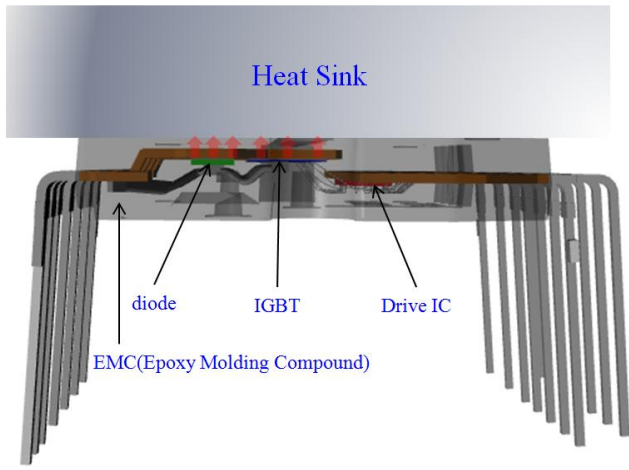


Figure 8. Vertical Structure for Heat Dissipation

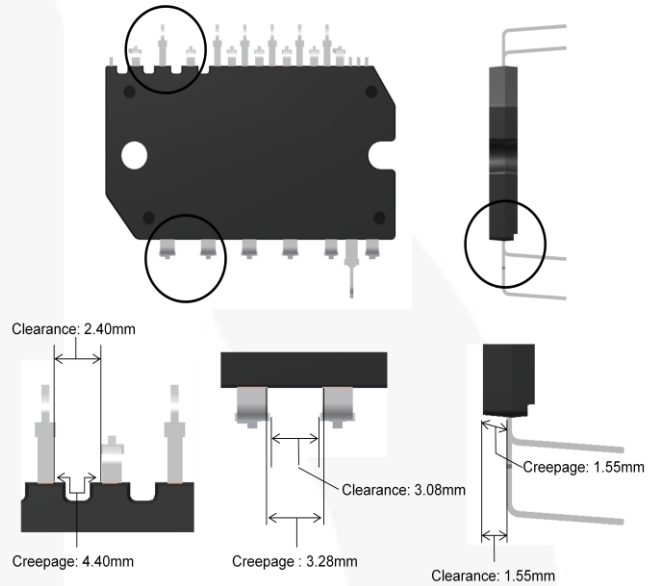


Figure 9. Distance for Isolation from Pin to Pin and from Pins to Heat Sink

Table 10. Mechanical Characteristics and Ratings

Parameter	Conditions		Value			Unit
			Min.	Typ.	Max.	
Device Flatness	See Figure 10		-50		100	µm
Mounting Torque	Mounting Screw: M3	Recommended 0.7 N·m	0.6	0.7	0.8	N·m
		Recommended 7.1 kg·cm	5.9	6.9	7.9	kg·cm
Weight				6.0		g

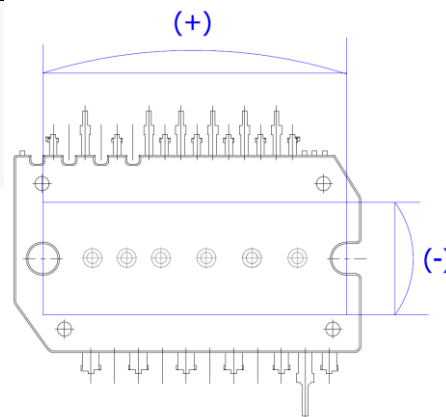


Figure 10. Flatness Measurement Position

4. Detailed Package Outline Drawings

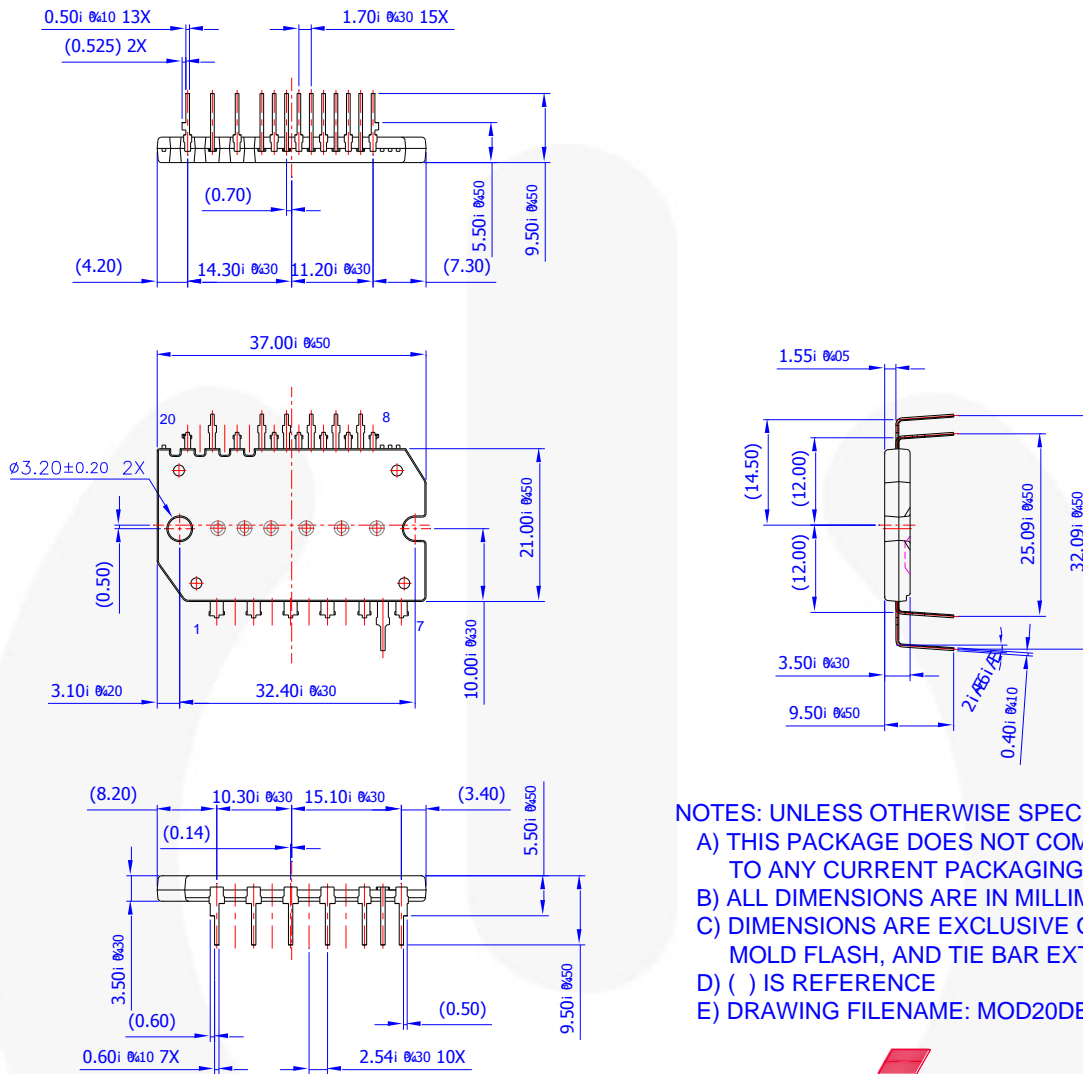
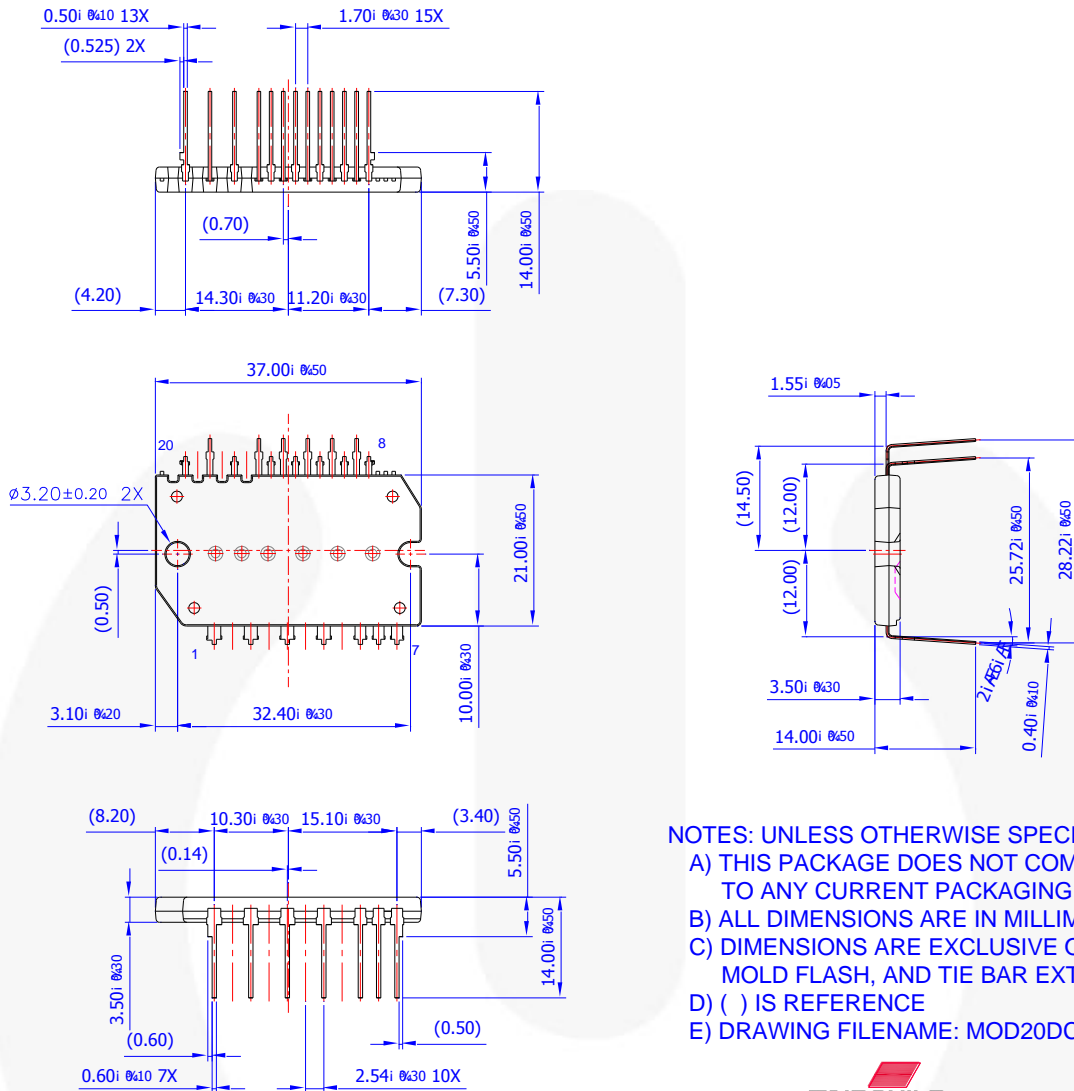


Figure 11. FNx5xx60TD1, Short Lead

Detailed Package Outline Drawings (Continued)

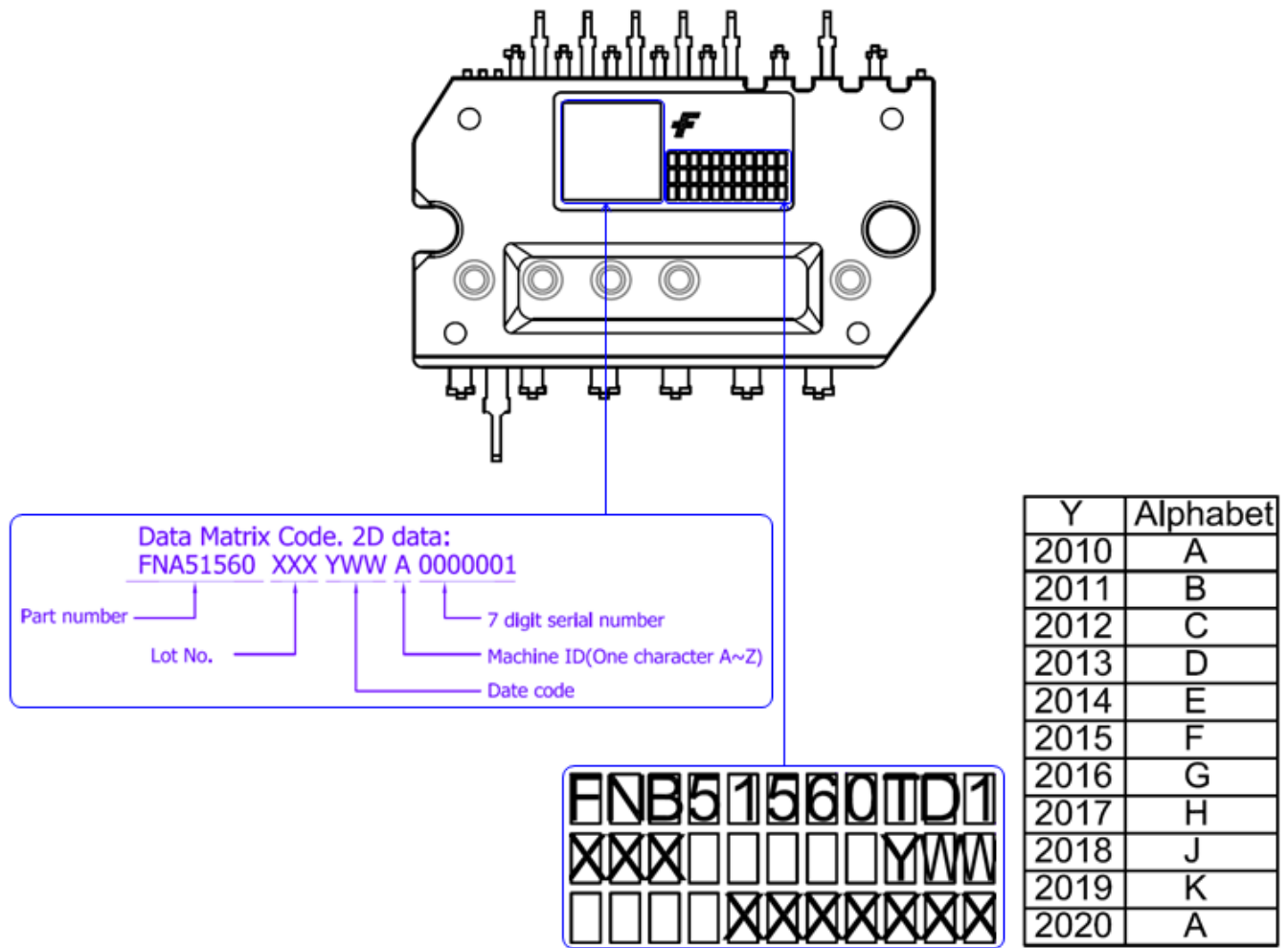


- NOTES: UNLESS OTHERWISE SPECIFIED
- A) THIS PACKAGE DOES NOT COMPLY TO ANY CURRENT PACKAGING STANDARD
 - B) ALL DIMENSIONS ARE IN MILLIMETERS
 - C) DIMENSIONS ARE EXCLUSIVE OF BURRS, MOLD FLASH, AND TIE BAR EXTRUSIONS
 - D) () IS REFERENCE
 - E) DRAWING FILENAME: MOD20DCREV2



Figure 12. FNx5xx60TD3, Long Lead

4.1 Marking Information



*** NOTE**

1. F : FAIRCHILD LOGO
2. XXX : LAST 3 DIGITS OF LOT NO(OPTION CODE)
3. YWW : WORK WEEK CODE ("Y" REFERS TO THE RIGHT ALPHABET CHARACTER TABLE)

Figure 13. Marking Information

5. Operating Sequence for Protections

5.1 Inter-lock Function

Motion SPM[®] 55 V2 provides inter-lock function to prevent leg short circuit by wrong input signal from the controller. Operating timing diagram is shown in Figure 14.

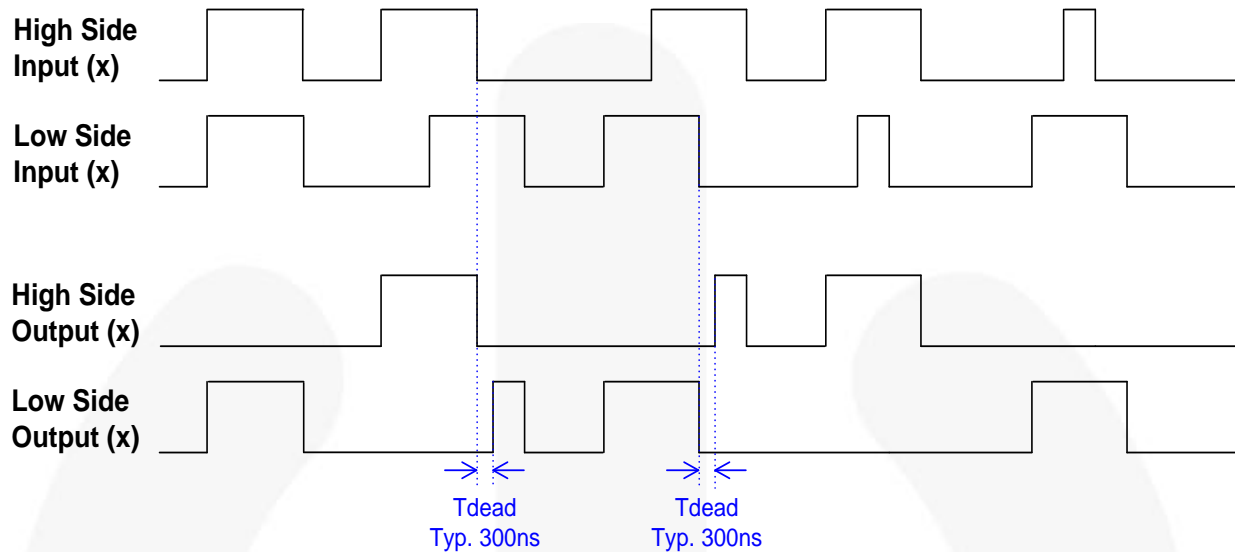


Figure 14. Integrated Gate Drive IC Input / Output Timing Diagram by Inter Lock Function

5.2 Short-Circuit Current Protection (SCP)

Motion SPM[®] 55 V2 uses an external shunt resistor (R_{SC}) for the short circuit current detection as shown in Figure 15. Drive IC has a built-in short-circuit current protection function. This protection function senses the voltage to the CSC pin. If this voltage exceeds the $V_{SC(ref)}$ (the threshold voltage trip level of the short-circuit) specified in the device datasheets ($V_{SC(ref)}$, typ. is 0.5 V), a fault signal is activated to

low and the all six IGBTs are turned off. Typically the maximum short-circuit current magnitude is gate-voltage dependent: higher gate voltage (V_{DD} & V_{BS}) results in larger short-circuit current. To avoid potential problems, the maximum short-circuit trip level is set below 2 times the nominal rated collector current. The drive IC short-circuit current protection-timing chart is shown in Figure 16.

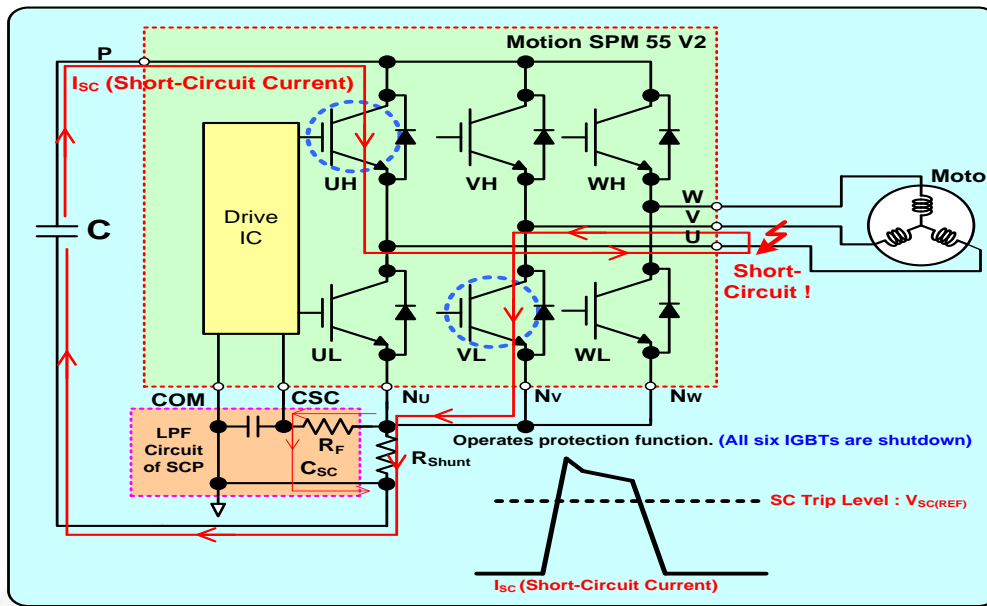


Figure 15. Operation of Short-Circuit Current Protection

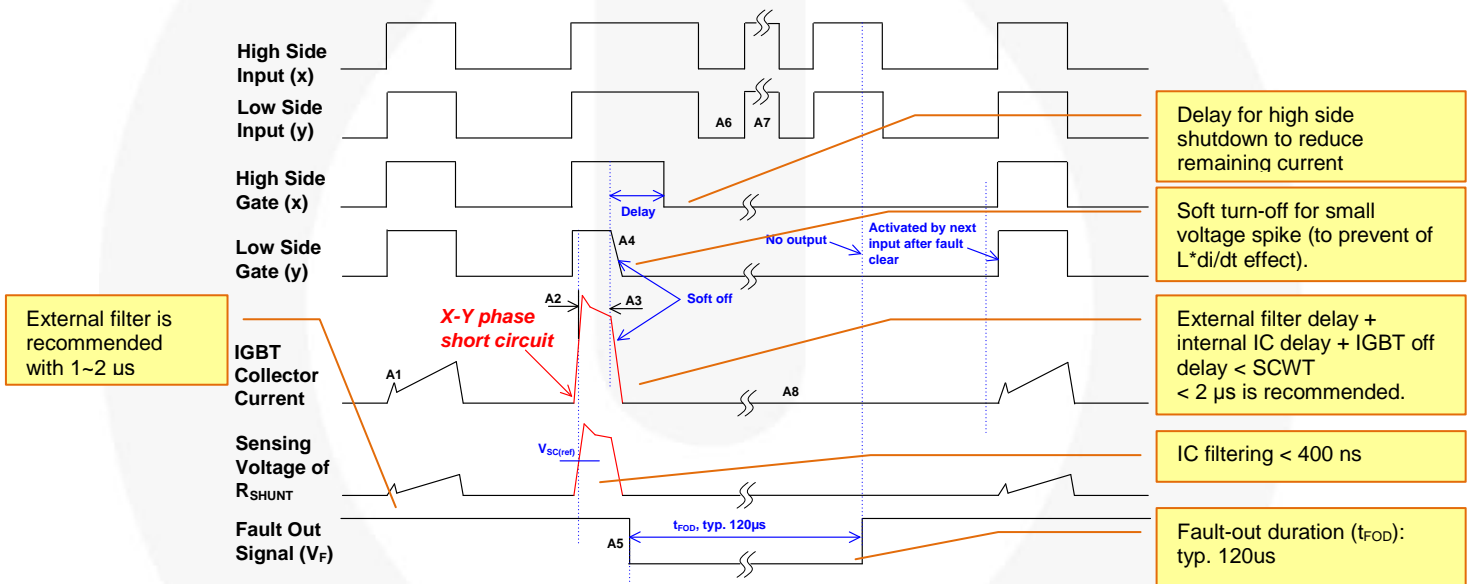


Figure 16. Timing Chart of Short-Circuit Current Protection Function

Notes:

7. A1-normal operation: IGBT on and carrying current.
8. A2-short-circuit current detection (SC trigger).
9. A3-hard IGBT gate interrupt.
10. A4-IGBT turns OFF by soft-off function.
11. A5-fault output timer operation start with internal delay (Typ. 2.0 μ s), t_{FOD} =Typ. 120 μ s.
12. A6-input "L": IGBT OFF state.
13. A7-input "H": IGBT ON state, but during the active period of fault output the IGBT doesn't turn ON.
14. A8-IGBT keeps OFF state.

5.3 Under-Voltage Lockout Protection

The gate drive IC has an under-voltage lockout protection (UVLO) function to protect the low-side IGBTs from operation with insufficient gate driving voltage. A timing chart for this protection is shown in Figure 17.

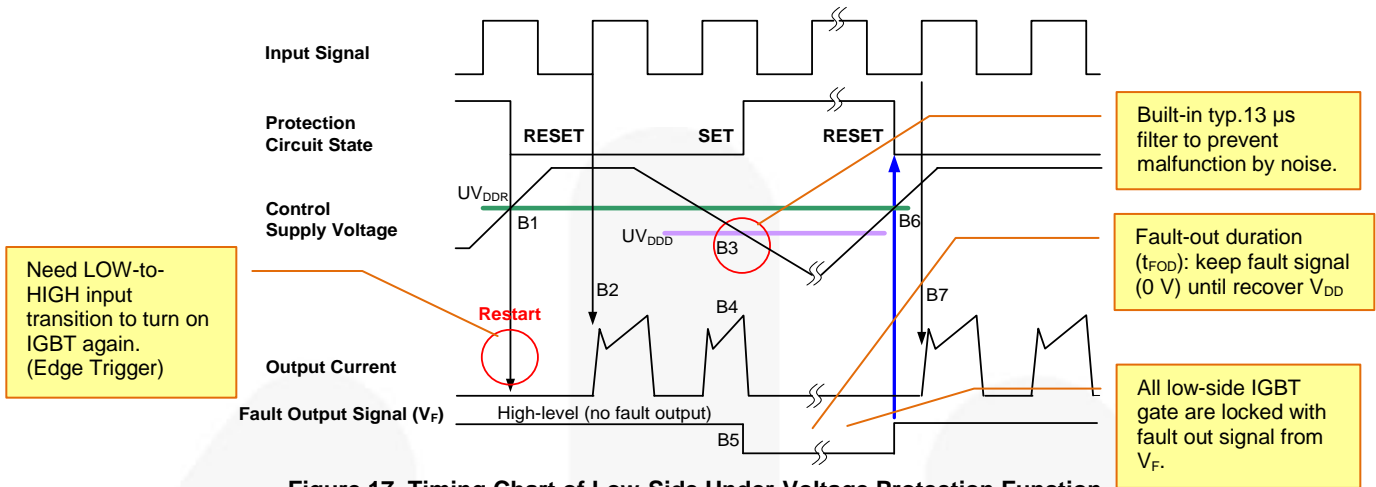


Figure 17. Timing Chart of Low-Side Under-Voltage Protection Function

Notes:

15. B1-control supply voltage rise: after the voltage rises UV_{DDR} , the circuits starts to operate when the next input is applied.
16. B2-normal operation: IGBT ON and carrying current.
17. B3-under-voltage detection (UV_{DDD}).
18. B4-IGBT OFF in spite of control input is alive.
19. B5-fault output signal starts.
20. B6-under-voltage reset (UV_{DDR}).
21. B7-normal operation: IGBT ON and carrying current.

The gate drive IC has an under-voltage lockout function to protect the high-side IGBT from insufficient gate driving voltage. A timing chart for this protection is shown in Figure 18. A fault-out alarm is not given for low at high side bias conditions.

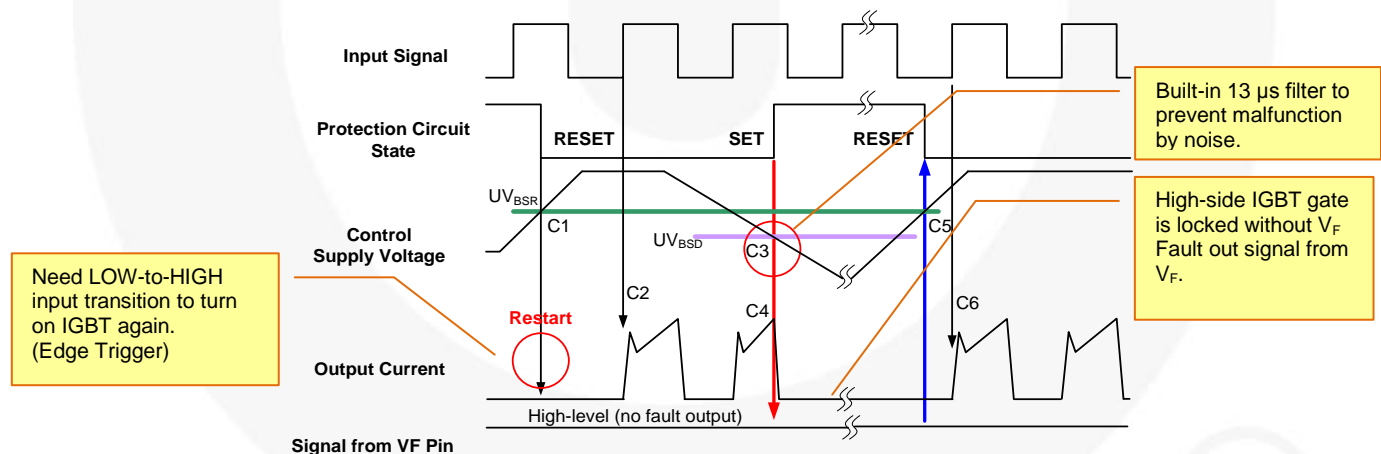


Figure 18. Timing Chart of High-Side Under-Voltage Protection Function

Notes:

22. C1-control supply voltage rises: after the voltage reaches UV_{BSR} , the circuit starts when the next input is applied.
23. C2-normal operation: IGBT ON and carrying current.
24. C3-under-voltage detection (UV_{BSD}).
25. C4-IGBT OFF in spite of control input is alive, but there is no fault output signal.
26. C5-under-voltage reset (UV_{BSR}).
27. C6-normal operation: IGBT ON and carrying current.

6. Key Parameter Design Guidance

For stable operation, there are recommended parameters for passive components and bias conditions, considering operating characteristics of Motion SPM[®] 55 V2 series.

6.1 Shunt Resistor Selection at N-Terminal for Current Sensing & Protection

The external RC time constant from the N-terminal shunt resistor to CSC must be lower than 2 μ s when overload condition is detected for a stable shutdown.

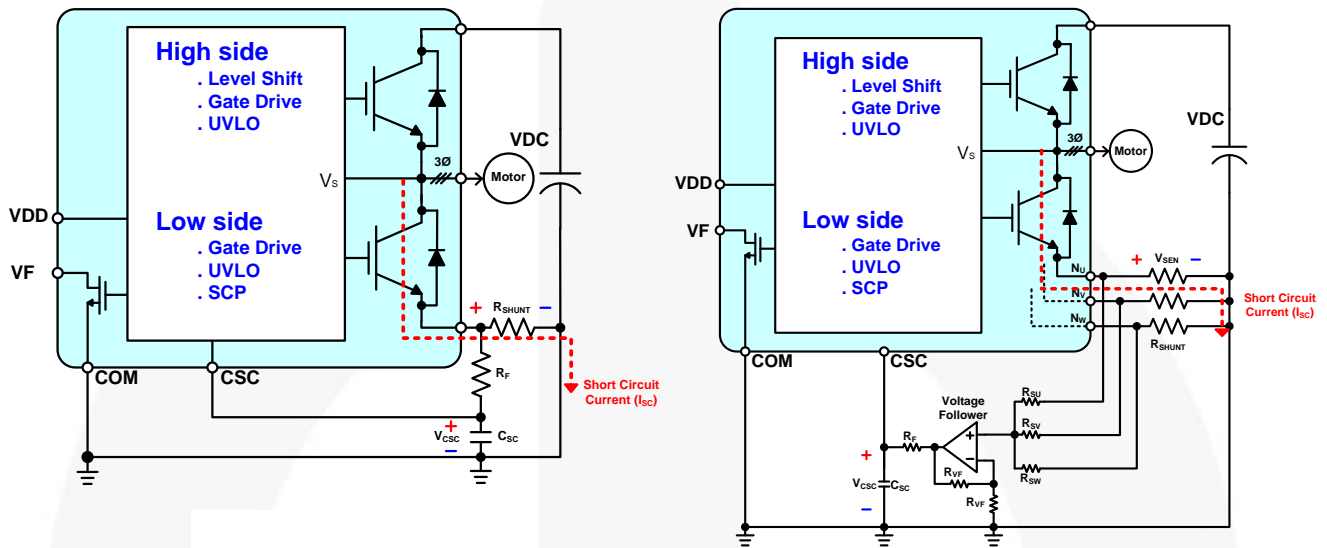


Figure 19. Recommended Circuitry for Over-Current & Short-Circuit Protection

Table 11. OCP & SCP Level ($V_{SC(ref)}$) Specification

Conditions	Min.	Typ.	Max.	Unit
Specification at $T_J=25^\circ\text{C}$, $V_{DD}=15\text{ V}$	0.45	0.50	0.55	V

Table 12. Operating Short-Circuit Current Range ($R_{SHUNT}=38\text{ m}\Omega$ (Min.), $40\text{ m}\Omega$ (Typ.), $42\text{ m}\Omega$ (Max.)) (see the equations below)

Conditions	Min.	Typ.	Max.	Unit
Operating SC Level at $T_J=25^\circ\text{C}$	10	12	15	A

Table 13. Specification for SCP Level ($V_{SC(ref)}$)

Conditions	Min.	Typ.	Max.	Unit
Specification at $T_J=25^\circ\text{C}$, $V_{DD}=15\text{ V}$	0.45	0.50	0.55	V

In case of one shunt, the value of shunt resistor is calculated by the following equations.

Maximum current trip level (depends on user selection):

$$I_{SC(max)} = 1.5 \times I_{C(max)}$$

SC trip reference voltage (depends on datasheet):

$$V_{SC(ref)} = \text{min. } 0.45\text{ V, typ. } 0.5\text{ V, max. } 0.55\text{ V}$$

Shunt resistance:

$$I_{SC(max)} = V_{SC(max)} / R_{SHUNT(min)} \rightarrow R_{SHUNT(min)} = V_{SC(max)} / I_{SC(max)}$$

If the deviation of the shunt resistor is limited below $\pm 5\%$:

$$R_{SHUNT(typ)} = R_{SHUNT(min)} / 0.95,$$

$$R_{SHUNT(max)} = R_{SHUNT(typ)} \times 1.05$$

Actual SC trip current level becomes:

$$I_{SC(typ)} = V_{SC(typ)} / R_{SHUNT(typ)}, I_{SC(min)} = V_{SC(min)} / R_{SHUNT(max)}$$

Inverter output power:

$$P_{OUT} = \frac{\sqrt{3}}{\sqrt{2}} \times MI \times V_{DC_Link} \times I_{RMS} \times PF$$

where:

MI = Modulation Index;

V_{DC_Link} = DC link voltage;

I_{RMS} = Maximum load current of inverter; and

PF = Power Factor

Average DC current

$$I_{DC_AVG} = V_{DC_Link} / (P_{out} \times Eff)$$

where:

Eff = Inverter efficiency

The power rating of shunt resistor is calculated by the following equation:

$$P_{SHUNT} = (I_{DC_AVG}^2 \times R_{SHUNT} \times Margin) / Derating Ratio$$

where:

R_{SHUNT} = Shunt resistor typical value at $T_C=25^\circ\text{C}$

Derating Ratio = Derating ratio of shunt resistor at $T_{SHUNT}=100^\circ\text{C}$

(From datasheet of shunt resistor); and

Margin = Safety margin (determined by user)

✓ Shunt Resistor Calculation Examples

Calculation Conditions:

- DUT: FNA51560TDx
- Tolerance of shunt resistor: $\pm 5\%$
- SC Trip Reference Voltage:
 - $V_{SC(min)}=0.45\text{ V}$, $V_{SC(typ)}=0.50\text{ V}$, $V_{SC(max)}=0.55\text{ V}$
- Maximum Load Current of Inverter (I_{RMS}): 7 A_{rms}
- Maximum Peak Load Current of Inverter ($I_{C(max)}$): 15 A
- Modulation Index(MI): 0.9
- DC Link Voltage(V_{DC_Link}): 300 V
- Power Factor(PF): 0.8
- Inverter Efficiency(Eff): 0.95
- Shunt Resistor Value at $T_C = 25^\circ\text{C}$ (R_{SHUNT}): $25\text{ m}\Omega$
- Derating Ration of Shunt Resistor at $T_{SHUNT} = 100^\circ\text{C}$: 70%
- Safety Margin: 20%
- Calculation Results:
 - $I_{SC(max)}$: $1.5 \times I_{C(max)} = 1.5 \times 15\text{ A} = 22.5\text{ A}$
 - $R_{SHUNT(min)}$: $V_{SC(max)} / I_{SC(max)} = 0.55\text{ V} / 22.5\text{ A} = 25\text{ m}\Omega$
 - $R_{SHUNT(typ)}$: $R_{SHUNT(min)} / 0.95 = 25\text{ m}\Omega / 0.95 = 26\text{ m}\Omega$
 - $R_{SHUNT(max)}$: $R_{SHUNT(typ)} \times 1.05 = 40.0\text{ m}\Omega \times 1.05 = 28\text{ m}\Omega$
 - $I_{SC(min)}$: $V_{SC(min)} / R_{SHUNT(max)} = 0.45\text{ V} / 28\text{ m}\Omega = 16.1\text{ A}$
 - $I_{SC(typ)}$: $V_{SC(typ)} / R_{SHUNT(typ)} = 0.5\text{ V} / 26\text{ m}\Omega = 19.2\text{ A}$
 - $P_{OUT} = \frac{\sqrt{3}}{\sqrt{2}} \times MI \times V_{DC_Link} \times I_{RMS} \times PF = \frac{\sqrt{3}}{\sqrt{2}} \times 0.9 \times 300 \times 7 \times 0.8 = 1852\text{ W}$
 - $I_{DC_AVG} = (P_{OUT}/Eff) / V_{DC_Link} = 6.50\text{ A}$
 - $P_{SHUNT} = (I_{DC_AVG}^2 \times R_{SHUNT} \times Margin) / Derating Ratio = (7^2 \times 0.026 \times 1.2) / 0.7 = 1.88\text{ W}$ (Therefore, the proper power rating of shunt resistor is over 2 W)

6.2 Time Constant of Internal Delay

An RC filter prevents noise-related Short-Circuit Current Protection (SCP) circuit malfunction. The RC time constant is determined by the applied noise time and the Short-Circuit Current Withstanding Time (SCWT) of Motion SPM® 55 V2. When the R_{SHUNT} voltage exceeds the SCP level, this is applied to the CSC pin via the RC filter. The RC filter delay (T1) is the time required for the CSC pin voltage to rise to the referenced SCP level. The gate drive IC has an internal filter time (logic filter time for noise elimination: T2). Consider this filter time when designing the RC filter of V_{CSC} .

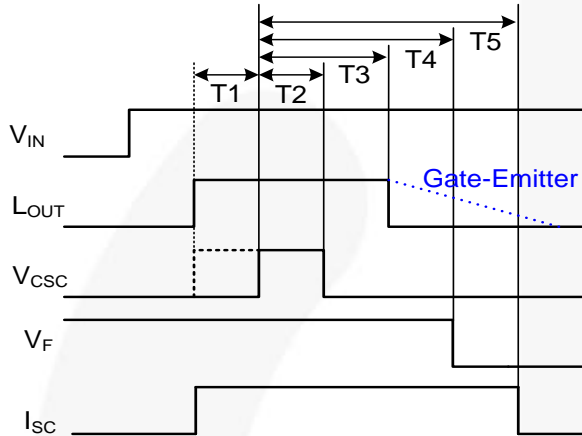


Figure 20. Timing Diagram

Notes:

- 28. V_{IN} : Voltage of input signal.
- 29. L_{OUT} : V_{GE} of low-side IGBT.
- 30. V_{CSC} : Voltage of CSC pin.
- 31. I_{SC} : Short-circuit current.
- 32. V_F : Voltage of VF pin.
- 33. T1: filtering time of RC filter of V_{CSC} .
- 34. T2: filtering time of CSC. If V_{CSC} width is less than T2, SCP does not operate.
- 35. T3: delay from CSC triggering to gate-voltage down.
- 36. T4: delay from CSC triggering to fault-out signal.
- 37. T5: delay from CSC triggering to short-circuit current.

Table 14. Time Table on Short-Circuit Conditions:

V_{CSC} to L_{OUT} , I_{SC} , V_F

Device Under Test	Typ. at $T_J=25^\circ C$	Max. at $T_J=25^\circ C$
FNA51560TDx	T2=0.4 μs	Considering $\pm 20\%$ Dispersion, T4=1.6 μs
	T3=0.8 μs	
	T4=1.1 μs	
	T5=1.3 μs	

Notes:

- 38. To guarantee safe short-circuit protection under all operating conditions, C_{SC} should be triggered within 0.4 μs after short-circuit occurs. (Recommendation: SCWT < 2.0 μs , Conditions: $V_{DC}=400 V$, $V_{DD}=16.5 V$, $T_J=150^\circ C$).
- 39. It is recommended that delay from short-circuit to CSC triggering should be minimized.

6.3 Soft Turn-Off

A soft turn-off function protects the low side IGBTs from over voltage of V_{PN} (supply voltage) by “hard off at over current or short circuit mode,” which is when IGBTs are turned off by input signal before the SCP function under short-circuit condition. In this case, V_{PN} rapidly rises by fast and large di/dt of I_C (over-current or short-circuit current). This kind of rapid rise of V_{PN} can cause destruction of IGBT by over-voltage. Soft-off function prevents IGBT rapid turning off by slow discharging of V_{GE} (gate-to-emitter voltage of IGBT).

An internal block diagram of low side and operation sequence of soft turn-off function are shown in Figure 21 and Figure 22. This function operates by two internal protection functions (UVLO and SCP). When the IGBT is turned off in normal conditions, gate drive IC turns off the IGBT immediately by turn-off gate signal ($IN_{(XL)}$) via gate driver block. Pre-driver turn-on output buffer of gate driver block, path ①. When the IGBT is turned off by a protection function, the gate driver is disabled by the protection function signal via output of protection circuit (disable output buffer, high-Z) and output of the protection circuit turn-on switch of the soft-off function. V_{GE} (IGBT gate-emitter voltage) is discharged slowly via circuit of soft-off (path ②).

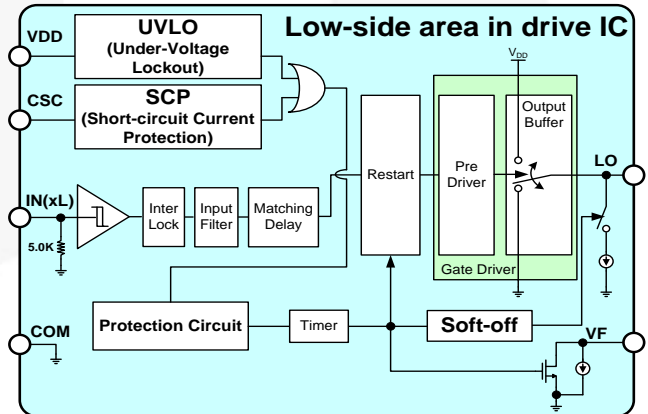


Figure 21. Internal Block Diagram of Gate Drive IC

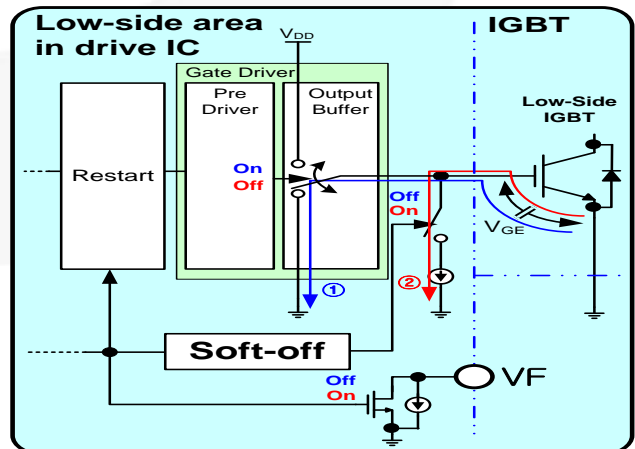


Figure 22. Operating Sequence of Soft Turn-Off

6.4 Multi-function Pin (VF)

VF terminal provides multi functions which are fault out, shut down input and temperature monitoring. Firstly, VF terminal provides temperature monitoring function for temperature of internal drive IC. As shown in Figure 23, VF terminal can be connected to ADC and fault detection terminals of micro controller. This circuit is very simple, and IGBTs can be shut down by micro controller. For example, when R1 is 10 kΩ, then V_F at about 110°C of thermistor temperature is 1.76 V_{typ} at V_{ctr} = 5 V as shown in Figure 24. User can control target voltage simply by change R1 value

It's noted that VF for over temperature protection should not be less than micro controller fault trip level.

Table 15. Maximum Ratings of VF Part

Symbol	Item	Condition	Rating	Unit
V _F	Fault Supply Voltage	Applied between VF-COM	-0.3 ~ V _{DD} +0.3	V
I _F	Fault Current	Sink Current at VF Pin	2	mA

Table 16. Electric Characteristics

Symbol	Item	Conditions	Min.	Max.	Unit
V _{FH}	Fault Voltage	V _{DD} =15 V, V _{SC} =0, V _F Circuit: 4.7 kΩ to 5 V Pull-Up	4.5		V
V _{FL}		V _{DD} =15 V, V _{SC} =1 V, V _F Circuit: 4.7 kΩ to 5 V Pull-Up		0.5	V
I _{FT}	HVIC Temperature Sensing Current	V _{DD} =15 V, T _{HVIC} =25°C	68	95	μA
V _{FT}	HVIC Temperature Sensing Voltage	V _{DD} =15 V, T _{HVIC} =25°C, 10 kΩ to 5 V Pull-Up	4.05	4.32	V
V _{FSDS}	Shutdown Reset Level	Applied between VF-COM		2.4	V
V _{FSDR}	Shutdown Set Level		0.8		V

Figure 23 and Figure 24 describe timing diagram of fault out and shut down input functions. Temperature of drive IC in Motion SPM® 55 V2 is calculated by below equation.

$$T_{HVIC} = ((V_{ctr} - V_F) - 20\mu A \times R1) / (R1 \times 2.76\mu A)$$

It is noted that above equation is based on 'current = zero' in fault input area of controller. If leakage current exists at fault input of controller, '20 μA' in above equation should be changed to '20 μA + leakage current'.

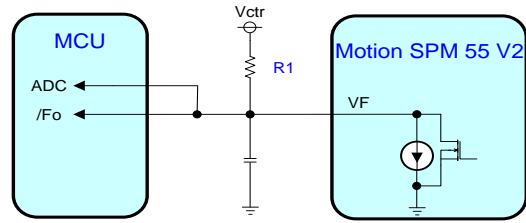


Figure 23. Proposed Circuit for Over-Temperature Protection

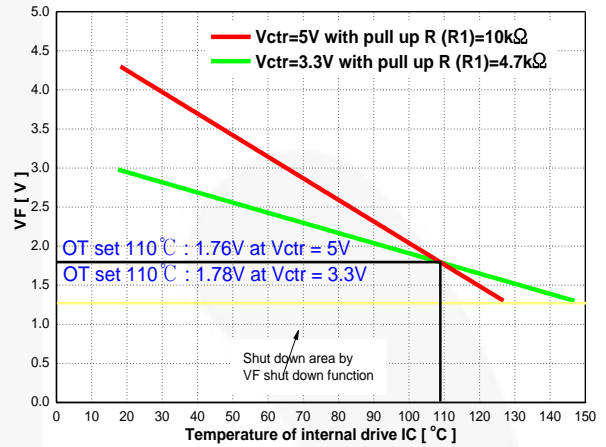


Figure 24. Voltage of VF Terminal according to Internal Drive IC Temperature

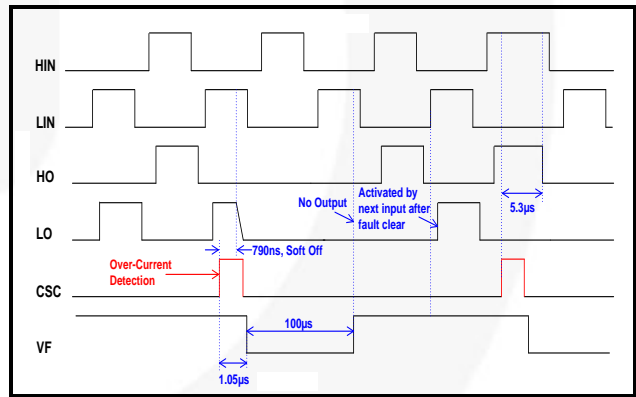


Figure 25. Fault-Out Function of VF Terminal

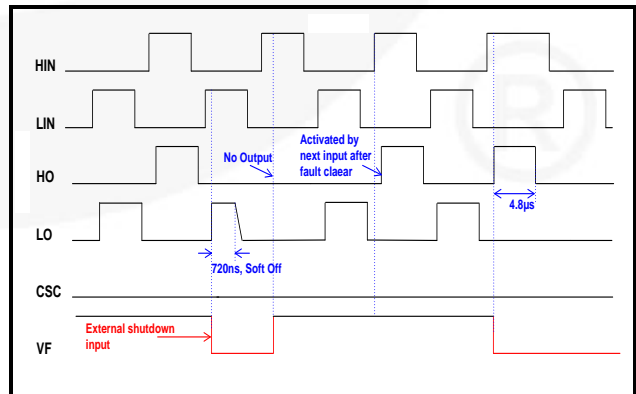


Figure 26. Shutdown Function of VF Terminal

6.5 Circuit of Input Signal (IN(xH), IN(xL))

Figure 27 shows the I/O interface circuit between the MCU and Motion SPM® 55 V2. Because the Motion SPM® 55 V2 input logic is active HIGH and there are built-in pull-down resistors, external pull-down resistors are not needed.

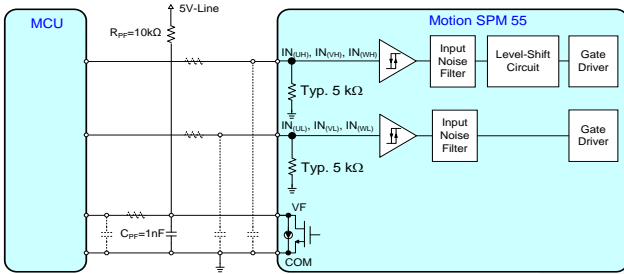


Figure 27. Recommended CPU I/O Interface Circuit

The input and fault output maximum rated voltages are shown in Table 17. Since the fault output is open drain, its rating is $V_{DD} + 0.3\text{ V}$, 15 V supply interface is possible. However, it is recommended that the fault output be configured with the 5 V logic supplies, which is the same as the input signals. It is also recommended that the decoupling capacitors be placed at both the MCU and Motion.

To avoid unexpected operation by fault signal, it is recommended to connect bypass capacitor to ends of the signal line for VF pin and MCU as close as possible to each device. The RC coupling at each input (parts shown dotted in Figure 27) can be changed depending on the PWM control scheme used in the application and the wiring impedance of the PCB layout.

The input signal section of the Motion SPM® 55 V2 series integrates 5 kΩ (typical) pull-down resistors. Therefore, when using an external filtering resistor between the MCU output and the Motion SPM® 55 V2 input, attention should be given to the signal voltage drop at the Motion SPM® 55 V2 input terminals to satisfy the turn-on threshold voltage requirement. For instance, $R=100\ \Omega$ and $C=1\ \text{nF}$ can be used for the parts shown dotted in Figure 27.

Table 17. Maximum Ratings of Input and VF Pins

Symbol	Item	Condition	Rating	Unit
V_{IN}	Input Signal Voltage	Applied between $IN_{(xH)}$, $IN_{(xL)}$ -COM	-0.3 ~ $V_{DD} + 0.3$	V
V_F	Fault Supply Voltage	Applied between VF-COM	-0.3 ~ $V_{DD} + 0.3$	V

Table 18. Input Threshold Voltage Ratings ($V_{DD}=15\text{ V}$, $T_J=25^\circ\text{C}$)

Symbol	Item	Condition	Min.	Max.	Unit
$V_{IN(ON)}$	Turn-On Threshold Voltage	$IN_{(UH)}$, $IN_{(VH)}$, $IN_{(WH)}$ -COM		2.4	V
$V_{IN(OFF)}$	Turn-Off Threshold Voltage	$IN_{(UL)}$, $IN_{(VL)}$, $IN_{(WL)}$ -COM	0.8		V

6.6 Bootstrap Circuit Design

6.6.1. Operation of Bootstrap Circuit

The V_{BS} voltage, which is the voltage difference between V_B (U, V, W) and V_S (U, V, W), provides the supply to the HVIC within the Motion SPM® 55 V2 series. This supply must be in the range of 13.0 V~18.5 V to ensure that the HVIC can fully drive the high-side IGBT. The under-voltage lockout protection for V_{BS} ensures that the HVIC does not drive the high-side IGBT if the V_{BS} voltage drops below a specific voltage (refer to the datasheet of SPM® 55 series). This function prevents the IGBT from operating in a high-dissipation mode.

There are a number of ways in which the V_{BS} floating supply can be generated. One of them is the bootstrap method described here (refer to Figure 28). This method has the advantage of being simple and inexpensive. However, the duty cycle and on-time are limited by the requirement to refresh the charge in the bootstrap capacitor. SPM® 55 V2 provides integrated bootstrap circuitry in driver. The bootstrap supply is formed by a combination of an integrated bootstrap diode and the current flow path of the bootstrap circuit is shown in Figure 28. When V_S is pulled down to ground (low-side IGBT turn-on or low-side FRD freewheeling), the bootstrap capacitor (C_{BS}) is charged through the integrated bootstrap diode from the V_{DD} supply.

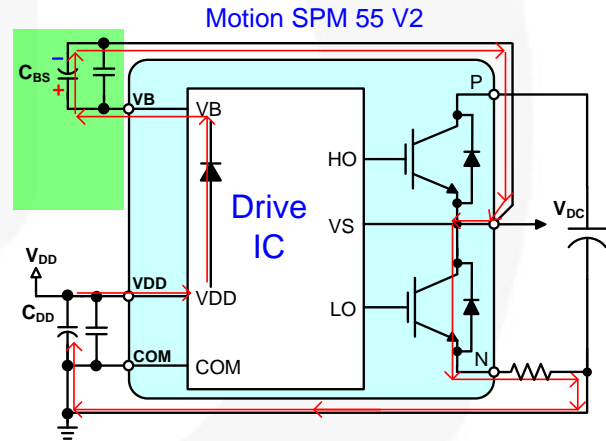


Figure 28. Current Path of Bootstrap Circuit for the Supply Voltage (V_{bs}) of a HVIC when Low-Side IGBT Turns On

6.6.2. Selection of Bootstrap Capacitor Considering Initial Charging

Figure 29 shows an example of initial bootstrap charging sequence. Once V_{DD} is established, V_{BS} needs to be charged by turning on the low-side IGBTs. PWM signals are typically generated by an interrupt triggered by a timer with a fixed interval, based on the switching carrier frequency. Therefore, it is desired to maintain this structure without creating complementary high-side PWM signals.

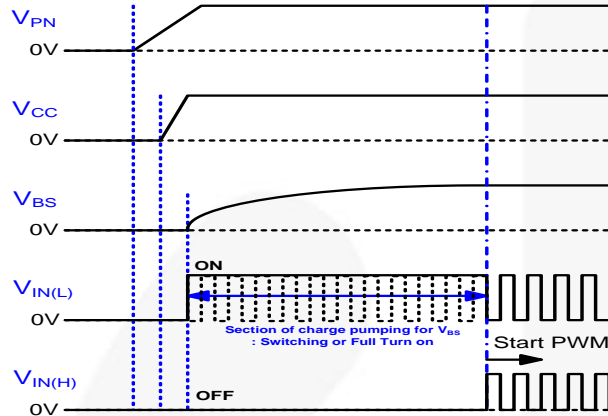


Figure 29. Timing Chart of Initial Bootstrap Charging

Adequate on-time of the low-side IGBT to fully charge the bootstrap capacitor is required for initial bootstrap charging. The initial charging time (t_{charge}) can be calculated by:

$$t_{\text{charge}} = C_{\text{BS}} \times R_{\text{BS}} \times \frac{1}{\delta} \times \ln \frac{V_{\text{DD}}}{V_{\text{DD}} - V_{\text{BS(target)}} - V_{\text{F,TH}} - V_{\text{CE,TH}}} \quad (1)$$

where:

C_{BS} = Capacitance of bootstrap capacitor

R_{BS} = Resistance of integrated bootstrap diode

$V_{\text{F,TH}}$ = Threshold voltage of integrated bootstrap diode

$V_{\text{BS(target)}}$ = Target charged value of the V_{BS}

$V_{\text{CE,TH}}$ = Collector-Emitter threshold voltage of the low-side IGBT

δ = Low side duty ratio of PWM.

Enough on-time duration of the low-side IGBT to fully charge the bootstrap capacitor is initially required before normal operation of PWM starts for the Motion SPM[®] 55 V2. I-V characteristics of integrated bootstrap diode is shown in Figure 30 and recommended C_{BS} initial charging time (t_{charge}) is shown in Figure 31.

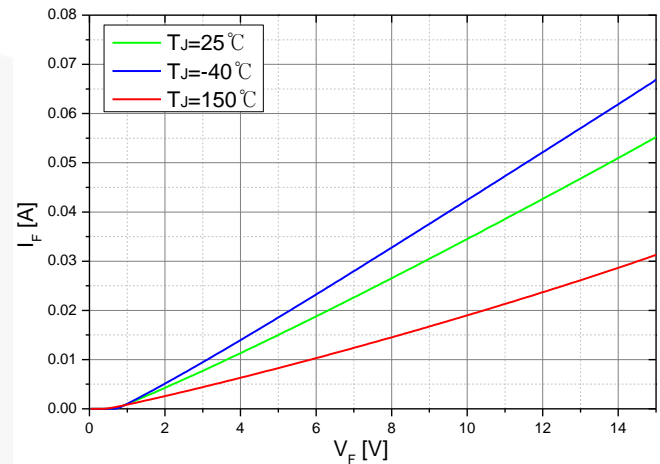


Figure 30. Built-In Bootstrap Diode I-V Characteristic

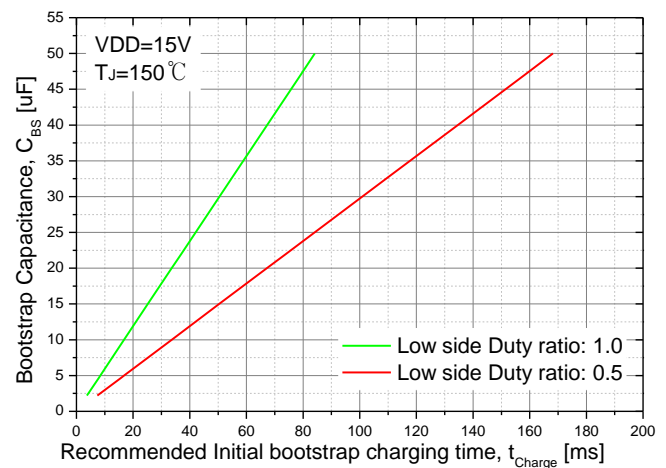


Figure 31. Recommended t_{charge} by C_{BS} and Duty Ratio

6.6.3. Selection of Bootstrap Capacitor Considering Operating

The bootstrap capacitance can be calculated by:

$$C_{BS} = \frac{I_{Leak} \times \Delta t}{\Delta V_{BS}} \tag{2}$$

where:

- Δt : maximum on pulse width of high-side IGBT;
- ΔV_{BS} : the allowable discharge voltage of the C_{BS} (voltage ripple); and
- I_{Leak} : maximum discharge current of the C_{BS} .

Mainly via the following mechanisms:

- Gate charge for turning the high-side IGBT on
- Quiescent current to the high-side circuit in HVIC
- Level-shift charge required by level-shifters in HVIC
- Leakage current in the bootstrap diode
- C_{BS} capacitor leakage current (ignored for non-electrolytic capacitors)
- Bootstrap diode reverse recovery charge

Practically, 0.5 mA of I_{Leak} is recommended for the Motion SPM[®] 55 V2 series. By considering dispersion and reliability, the capacitance is generally selected to be 2~3 times the calculated one. The C_{BS} is only charged when the high-side IGBT is off and the $V_{S(U,V,W)}$ voltage is pulled down to ground.

The on-time of the low-side IGBT must be sufficient for the charge drawn from the C_{BS} capacitor to be fully replenished. This creates an inherent minimum on-time of the low-side IGBT (or off-time of the high-side IGBT).

Calculation Examples of Bootstrap Capacitance A;

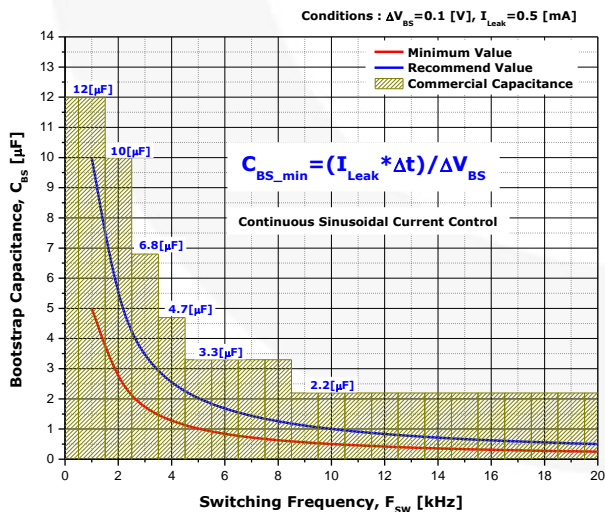


Figure 32. Capacitance of Bootstrap Capacitor on Variation of Switching Frequency

Based on switching frequency and recommended ΔV_{BS}

- I_{Leak} : circuit current = 0.5 mA (recommended value)
- ΔV_{BS} : discharged voltage = 0.1 V (recommended value)
- Δt : maximum on pulse width of high-side IGBT = 0.2 ms (depends on application)

$$C_{BS_min} = \frac{I_{Leak} \times \Delta t}{\Delta V_{BS}} = \frac{0.5mA \times 0.2ms}{0.1V} = 1.0 \times 10^{-6} \tag{3}$$

→ More than 2 times → 2 μ F.

Note:

40. The capacitance value can be changed according to the switching frequency, the capacitor selected, and the recommended V_{BS} voltage of 13.0~18.5 V (from datasheet). The above result is just a calculation example. This value can be changed according to the actual control method and lifetime of the component.

Calculation Examples of Bootstrap Capacitance B;

The appropriate value for bootstrap capacitors should be selected based on operating conditions, UV_{BS} function, and allowable recommended $V_{B(X)}-V_{S(X)}$

To avoid unexpected under-voltage protection and to keep V_{BS} within recommended value, bootstrap capacitance should be selected based on the operating conditions. Bootstrap voltage ripple is influenced by bootstrap resistor, load condition, output frequency, and switching frequency. Check the bootstrap voltage under the maximum load condition in the system. Figure 33 shows example of $V_{B(X)}-V_{S(X)}$ ripple voltage during operation.

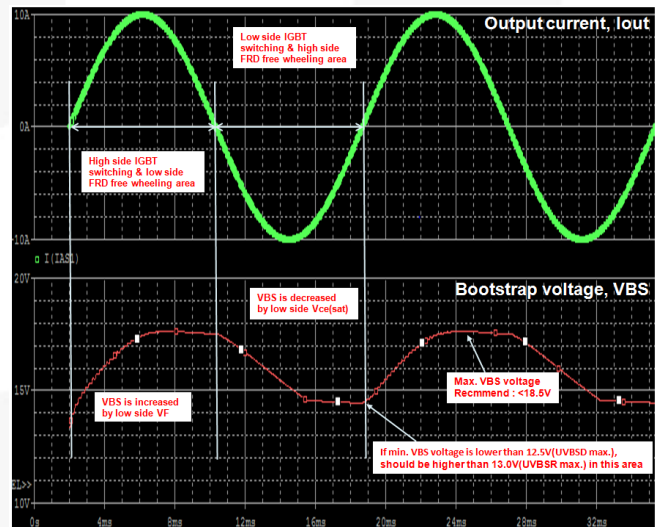


Figure 33. Recommendation of Bootstrap Ripple Voltage during Operation

7. Print Circuit Board (PCB) Design

7.1 General Application Circuit Example

Figure 34 shows a general application circuitry of interface schematic with control signals connected directly to a MCU. Figure 35 shows guidance of PCB layout for Motion SPM[®] 55 V2.

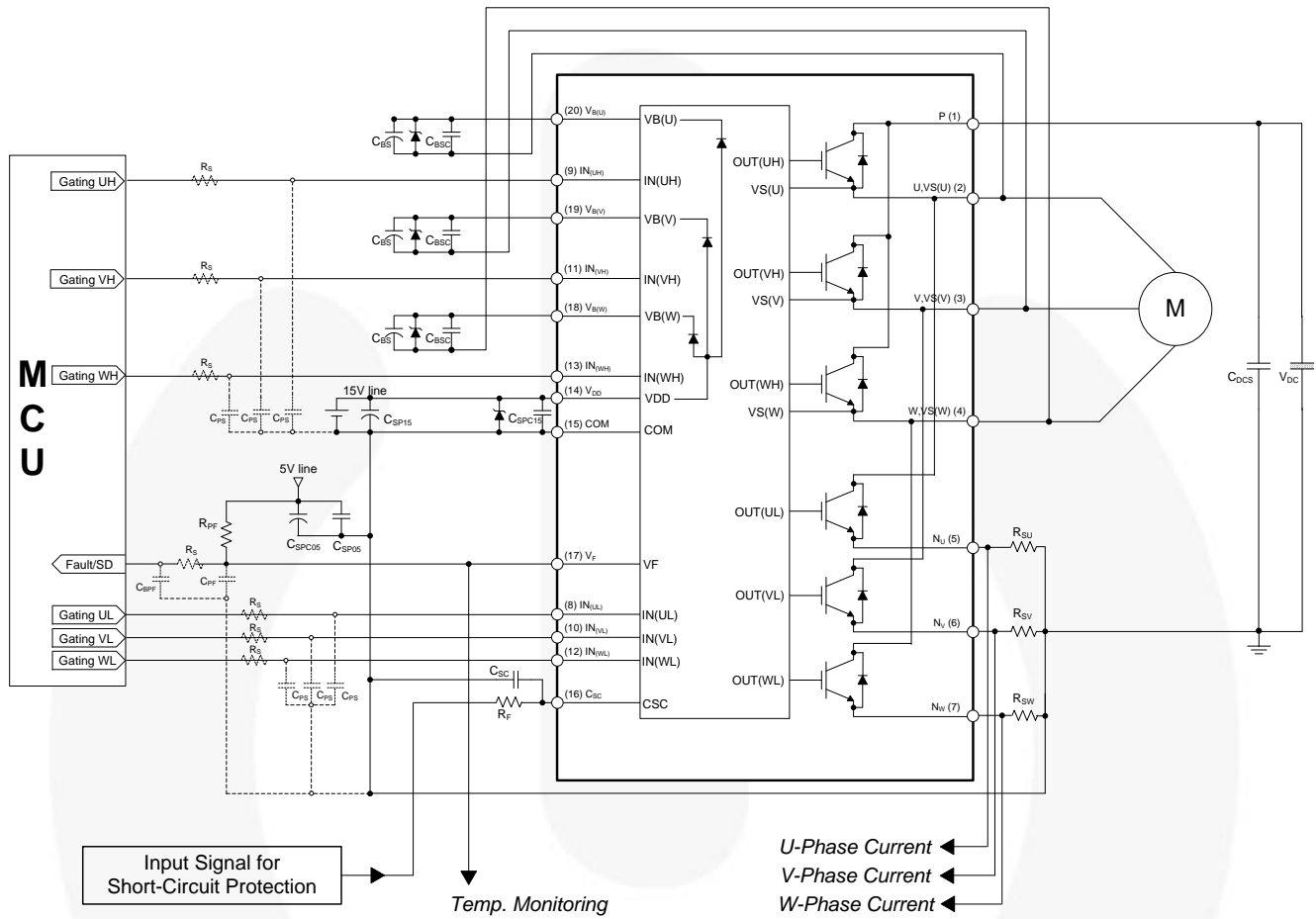


Figure 34. General Application Circuitry for Motion SPM[®] 55 V2

7.2 PCB Layout Guidance

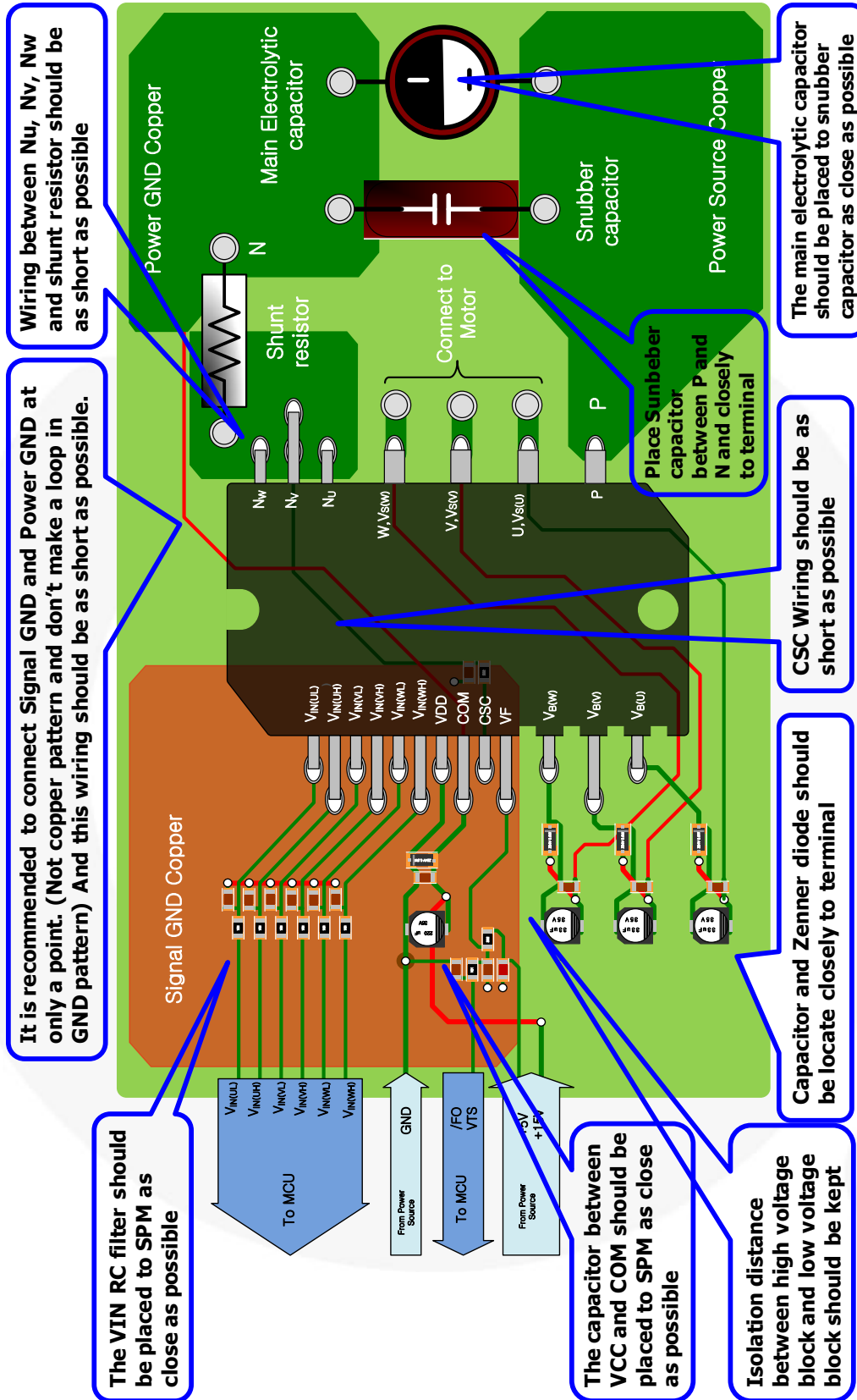
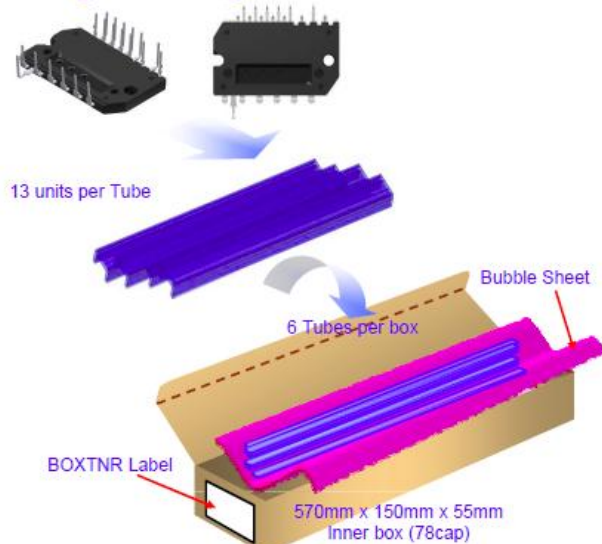


Figure 35. Print Circuit Board (PCB) Layout Guidance for Motion SPM® 55 V2

8. Packing Information

SPMFA-A20Tube Packing Configuration: Figure 1.0



Packaging Description:
 SPMFA-A20 parts are shipped normally in tube. The tube is made of PVC plastic treated with anti-static agent. These tubes in standard option are placed inside a dissipative plastic bubble sheet, barcode labeled, and placed inside a box made of recyclable corrugated paper. One box contains six tubes maximum (see fig. 1.0). And one or several of these boxes are placed inside a labeled shipping box which comes in different sizes depending on the number of parts shipped.

SPMFA-A20 Packaging Information: Figure 2.0

SPMFA-A20 Packaging Information	
Packaging Option	Standard (no flow code)
Packaging type	Roll/Tube
Qty per Tube/Inner Box	13
Inner Box Dimension (mm)	570x150x55
Max qty per Box	78
Outer Box Dimension (mm)	590x330x245
Max qty per Box	624

Inner Box Barcode Label Sample_(BOXTNR)

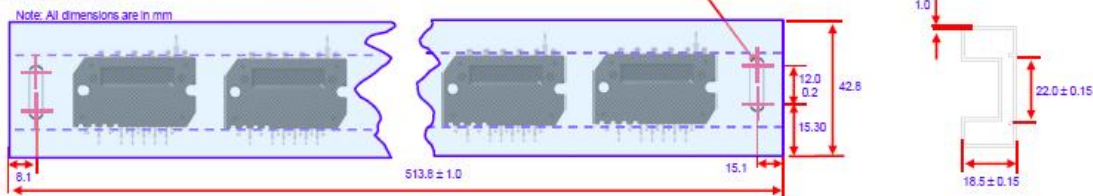


Outer Box Barcode Label Sample_(BBX)



SPMFA-A20 Tube Information: Figure 3.0

Note: All dimensions are in mm



NOTES:

- A : ALL DIMENSION ARE IN MILLIMETERS UNLESS OTHERWISE SPECIFIED
- B : DRAWING FIEL NAME : PKG-MOD20DBREV1

Figure 36. Packing Information

9. Related Resources

[FNB50560TD1 Motion SPM® 55 Series](#)

[FNB51060TD1 Motion SPM® 55 Series](#)

[FNF51060TD1 Motion SPM® 55 Series](#)

[FNA51560TD3 Motion SPM® 55 Series](#)

[FNB51560TD1 Motion SPM® 55 Series](#)

[FNF51560TD1 Motion SPM® 55 Series](#)

DISCLAIMER

FAIRCHILD SEMICONDUCTOR RESERVES THE RIGHT TO MAKE CHANGES WITHOUT FURTHER NOTICE TO ANY PRODUCTS HEREIN TO IMPROVE RELIABILITY, FUNCTION, OR DESIGN. FAIRCHILD DOES NOT ASSUME ANY LIABILITY ARISING OUT OF THE APPLICATION OR USE OF ANY PRODUCT OR CIRCUIT DESCRIBED HEREIN; NEITHER DOES IT CONVEY ANY LICENSE UNDER ITS PATENT RIGHTS, NOR THE RIGHTS OF OTHERS.

LIFE SUPPORT POLICY

FAIRCHILD'S PRODUCTS ARE NOT AUTHORIZED FOR USE AS CRITICAL COMPONENTS IN LIFE SUPPORT DEVICES OR SYSTEMS WITHOUT THE EXPRESS WRITTEN APPROVAL OF THE PRESIDENT OF FAIRCHILD SEMICONDUCTOR CORPORATION.

As used herein:

1. Life support devices or systems are devices or systems which, (a) are intended for surgical implant into the body, or (b) support or sustain life, or (c) whose failure to perform when properly used in accordance with instructions for use provided in the labeling, can be reasonably expected to result in significant injury to the user.
2. A critical component is any component of a life support device or system whose failure to perform can be reasonably expected to cause the failure of the life support device or system, or to affect its safety or effectiveness.

ON Semiconductor and  are trademarks of Semiconductor Components Industries, LLC dba ON Semiconductor or its subsidiaries in the United States and/or other countries. ON Semiconductor owns the rights to a number of patents, trademarks, copyrights, trade secrets, and other intellectual property. A listing of ON Semiconductor's product/patent coverage may be accessed at www.onsemi.com/site/pdf/Patent-Marking.pdf. ON Semiconductor reserves the right to make changes without further notice to any products herein. ON Semiconductor makes no warranty, representation or guarantee regarding the suitability of its products for any particular purpose, nor does ON Semiconductor assume any liability arising out of the application or use of any product or circuit, and specifically disclaims any and all liability, including without limitation special, consequential or incidental damages. Buyer is responsible for its products and applications using ON Semiconductor products, including compliance with all laws, regulations and safety requirements or standards, regardless of any support or applications information provided by ON Semiconductor. "Typical" parameters which may be provided in ON Semiconductor data sheets and/or specifications can and do vary in different applications and actual performance may vary over time. All operating parameters, including "Typicals" must be validated for each customer application by customer's technical experts. ON Semiconductor does not convey any license under its patent rights nor the rights of others. ON Semiconductor products are not designed, intended, or authorized for use as a critical component in life support systems or any FDA Class 3 medical devices or medical devices with a same or similar classification in a foreign jurisdiction or any devices intended for implantation in the human body. Should Buyer purchase or use ON Semiconductor products for any such unintended or unauthorized application, Buyer shall indemnify and hold ON Semiconductor and its officers, employees, subsidiaries, affiliates, and distributors harmless against all claims, costs, damages, and expenses, and reasonable attorney fees arising out of, directly or indirectly, any claim of personal injury or death associated with such unintended or unauthorized use, even if such claim alleges that ON Semiconductor was negligent regarding the design or manufacture of the part. ON Semiconductor is an Equal Opportunity/Affirmative Action Employer. This literature is subject to all applicable copyright laws and is not for resale in any manner.

PUBLICATION ORDERING INFORMATION

LITERATURE FULFILLMENT:

Literature Distribution Center for ON Semiconductor
19521 E. 32nd Pkwy, Aurora, Colorado 80011 USA
Phone: 303-675-2175 or 800-344-3860 Toll Free USA/Canada
Fax: 303-675-2176 or 800-344-3867 Toll Free USA/Canada
Email: orderlit@onsemi.com

N. American Technical Support: 800-282-9855 Toll Free
USA/Canada
Europe, Middle East and Africa Technical Support:
Phone: 421 33 790 2910
Japan Customer Focus Center
Phone: 81-3-5817-1050

ON Semiconductor Website: www.onsemi.com
Order Literature: <http://www.onsemi.com/orderlit>
For additional information, please contact your local
Sales Representative