



54AC/74AC646 • 74ACT646

Octal Transceiver/Register with TRI-STATE® Outputs

General Description

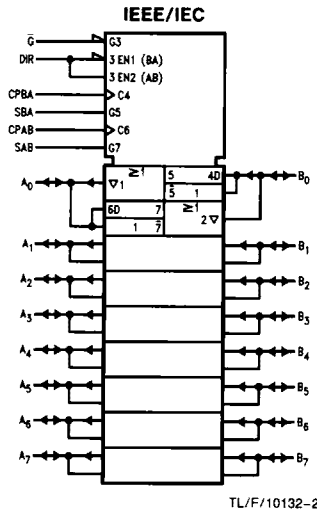
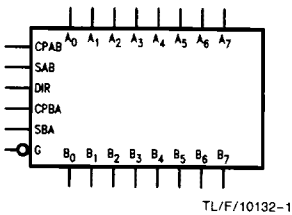
The 'AC/'ACT646 consist of registered bus transceiver circuits, with outputs, D-type flip-flops and control circuitry providing multiplexed transmission of data directly from the input bus or from the internal storage registers. Data on the A or B bus will be loaded into the respective registers on the LOW-to-HIGH transition of the appropriate clock pin (CPAB or CPBA). The four fundamental data handling functions available are illustrated in *Figures 1-4*.

Features

- Independent registers for A and B buses
- Multiplexed real-time and stored data transfers
- TRI-STATE outputs
- 300 mil slim dual-in-line package
- Outputs source/sink 24 mA
- 'ACT646 has TTL compatible inputs
- Standard Military Drawing (SMD)
 - 'AC646: 5962-89682

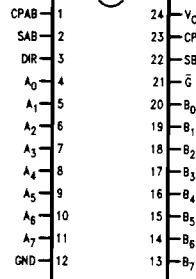
Ordering Code: See Section 8

Logic Symbols

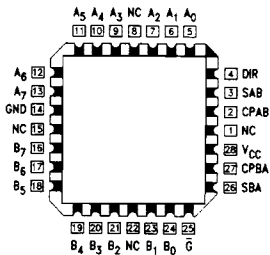


Connection Diagrams

Pin Assignment for DIP, Flatpak and SOIC

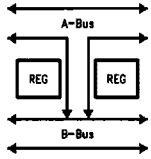


Pin Assignment for LCC and PCC



| Pin Names | Description |
|--------------------------------|---|
| A ₀ -A ₇ | Data Register A Inputs Data Register A Outputs |
| B ₀ -B ₇ | Data Register B Inputs Data Register B Outputs |
| CPAB, CPBA | Clock Pulse Inputs |
| SAB, SBA | Transmit/Receive Inputs |
| \bar{G} | Output Enable Input |
| DIR | Direction Control Input |

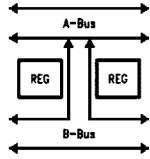
**Real Time Transfer
A-Bus to B-Bus**



TL/F/10132-7

FIGURE 1

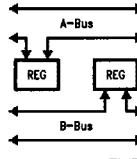
**Real Time Transfer
B-Bus to A-Bus**



TL/F/10132-8

FIGURE 2

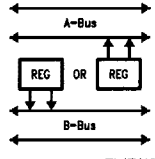
**Storage from
Bus to Register**



TL/F/10132-9

FIGURE 3

**Transfer from
Register to Bus**



TL/F/10132-10

FIGURE 4

Function Table

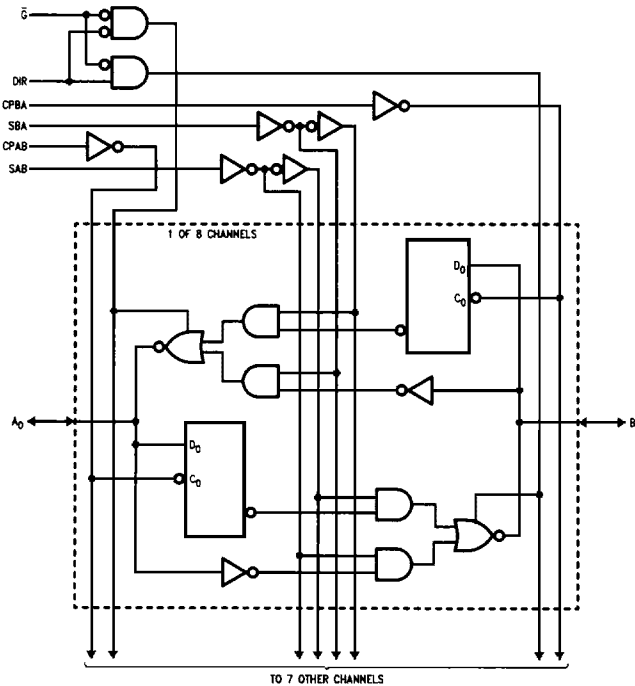
| Inputs | | | | | | | Data I/O* | | Function |
|-----------|-----|--------|--------|-----|-----|--------------------------------|--------------------------------|--|----------|
| \bar{G} | DIR | CPAB | CPBA | SAB | SBA | A ₀ -A ₇ | B ₀ -B ₇ | | |
| H | X | H or L | H or L | X | X | Input | Input | Isolation | |
| H | X | ↗ | X | X | X | | | Clock A _n Data into A Register | |
| H | X | X | ↘ | X | X | | | Clock B _n Data into B Register | |
| L | H | X | X | L | X | Input | Output | A _n to B _n —Real Time (Transparent Mode) | |
| L | H | ↗ | X | L | X | | | Clock A _n Data into A Register | |
| L | H | H or L | X | H | X | | | A Register to B _n (Stored Mode) | |
| L | H | ↘ | X | H | X | | | Clock A _n Data into A Register and Output to B _n | |
| L | L | X | X | X | L | Output | Input | B _n to A _n —Real Time (Transparent Mode) | |
| L | L | X | ↗ | X | L | | | Clock B _n Data into B Register | |
| L | L | X | H or L | X | H | | | B Register to A _n (Stored Mode) | |
| L | L | X | ↘ | X | H | | | Clock B _n Data into B Register and Output to A _n | |

*The data output functions may be enabled or disabled by various signals at the \bar{G} and DIR inputs. Data input functions are always enabled; i.e., data at the bus pins will be stored on every LOW-to-HIGH transition of the appropriate clock inputs.

H = HIGH Voltage Level
L = LOW Voltage Level

X = Immaterial
↗ = LOW-to-HIGH Transition

Logic Diagram



TL/F/10132-5

Please note that this diagram is provided only for the understanding of logic operations and should not be used to estimate propagation delays.

Absolute Maximum Rating (Note 1)

If Military/Aerospace specified devices are required, please contact the National Semiconductor Sales Office/Distributors for availability and specifications.

| | |
|--|--------------------------|
| Supply Voltage (V_{CC}) | -0.5V to +7.0V |
| DC Input Diode Current (I_{IK}) | |
| $V_I = -0.5V$ | -20 mA |
| $V_I = V_{CC} + 0.5V$ | +20 mA |
| DC Input Voltage (V_I) | -0.5V to $V_{CC} + 0.5V$ |
| DC Output Diode Current (I_{OK}) | |
| $V_O = -0.5V$ | -20 mA |
| $V_O = V_{CC} + 0.5V$ | +20 mA |
| DC Output Voltage (V_O) | -0.5V to $V_{CC} + 0.5V$ |
| DC Output Source or Sink Current (I_O) | ±50 mA |
| DC V_{CC} or Ground Current per Output Pin (I_{CC} or I_{GND}) | ±50 mA |
| Storage Temperature (T_{STG}) | -65°C to +150°C |
| Junction Temperature (T_J) | |
| CDIP | 175°C |
| PDIP | 140°C |

Note 1: Absolute maximum ratings are those values beyond which damage to the device may occur. The databook specifications should be met, without exception, to ensure that the system design is reliable over its power supply, temperature, and output/input loading variables. National does not recommend operation of FACT™ circuits outside databook specifications.

Recommended Operating Conditions

| | |
|---|-----------------|
| Supply Voltage (V_{CC}) | |
| 'AC | 2.0V to 6.0V |
| 'ACT | 4.5V to 5.5V |
| Input Voltage (V_I) | 0V to V_{CC} |
| Output Voltage (V_O) | 0V to V_{CC} |
| Operating Temperature (T_A) | |
| 74AC/ACT | -40°C to +85°C |
| 54AC | -55°C to +125°C |
| Minimum Input Edge Rate ($\Delta V/\Delta t$) | |
| 'AC Devices | |
| V_{IN} from 30% to 70% of V_{CC} | |
| V_{CC} @ 3.3V, 4.5V, 5.5V | 125 mV/ns |
| Minimum Input Edge Rate ($\Delta V/\Delta t$) | |
| 'ACT Devices | |
| V_{IN} from 0.8V to 2.0V | |
| V_{CC} @ 4.5V, 5.5V | 125 mV/ns |

DC Characteristics for 'AC Family Devices

| Symbol | Parameter | V_{CC} (V) | 74AC | | 54AC | | 74AC | | Units | Conditions |
|----------|-----------------------------------|-----------------|---------------------------|-------------------|--|--|---|--|-------|---|
| | | | $T_A = +25^\circ\text{C}$ | | $T_A = -55^\circ\text{C to } +125^\circ\text{C}$ | | $T_A = -40^\circ\text{C to } +85^\circ\text{C}$ | | | |
| | | | Typ | Guaranteed Limits | | | | | | |
| V_{IH} | Minimum High Level Input Voltage | 3.0 | 1.5 | 2.1 | 2.1 | | 2.1 | | V | $V_{OUT} = 0.1V$ or $V_{CC} - 0.1V$ |
| | | 4.5 | 2.25 | 3.15 | 3.15 | | 3.15 | | | |
| | | 5.5 | 2.75 | 3.85 | 3.85 | | 3.85 | | | |
| V_{IL} | Maximum Low Level Input Voltage | 3.0 | 1.5 | 0.9 | 0.9 | | 0.9 | | V | $V_{OUT} = 0.1V$ or $V_{CC} - 0.1V$ |
| | | 4.5 | 2.25 | 1.35 | 1.35 | | 1.35 | | | |
| | | 5.5 | 2.75 | 1.65 | 1.65 | | 1.65 | | | |
| V_{OH} | Minimum High Level Output Voltage | 3.0 | 2.99 | 2.9 | 2.9 | | 2.9 | | V | $I_{OUT} = -50 \mu\text{A}$ |
| | | 4.5 | 4.49 | 4.4 | 4.4 | | 4.4 | | | |
| | | 5.5 | 5.49 | 5.4 | 5.4 | | 5.4 | | | |
| V_{OL} | Maximum Low Level Output Voltage | 3.0 | | 2.56 | 2.4 | | 2.46 | | V | * $V_{IN} = V_{IL}$ or V_{IH} -12 mA $I_{OH} = -24 \mu\text{A}$ -24 mA |
| | | 4.5 | | 3.86 | 3.7 | | 3.76 | | | |
| | | 5.5 | | 4.86 | 4.7 | | 4.76 | | | |
| V_{OL} | Maximum Low Level Output Voltage | 3.0 | 0.002 | 0.1 | 0.1 | | 0.1 | | V | $I_{OUT} = 50 \mu\text{A}$ |
| | | 4.5 | 0.001 | 0.1 | 0.1 | | 0.1 | | | |
| | | 5.5 | 0.001 | 0.1 | 0.1 | | 0.1 | | | |
| V_{OL} | Maximum Low Level Output Voltage | 3.0 | | 0.36 | 0.50 | | 0.44 | | V | * $V_{IN} = V_{IL}$ or V_{IH} 12 mA $I_{OL} = 24 \mu\text{A}$ 24 mA |
| | | 4.5 | | 0.36 | 0.50 | | 0.44 | | | |
| | | 5.5 | | 0.36 | 0.50 | | 0.44 | | | |
| I_{IN} | Maximum Input Leakage Current | 5.5 | | ±0.1 | ±1.0 | | ±1.0 | | μA | $V_I = V_{CC}, \text{GND}$ |

*All outputs loaded; thresholds on input associated with output under test.

DC Characteristics for 'AC Family Devices (Continued)

| Symbol | Parameter | V _{CC} (V) | 74AC | | 54AC | | 74AC | | Units | Conditions |
|------------------|----------------------------------|------------------------|------------------------|-------------------|-------------------------------------|--|------------------------------------|--|-------|---|
| | | | T _A = +25°C | | T _A = -55°C to +125°C | | T _A = -40°C to +85°C | | | |
| | | | Typ | Guaranteed Limits | | | | | | |
| I _{OLD} | †Minimum Dynamic Output Current | 5.5 | | | 50 | | 75 | | mA | V _{OLD} = 1.65V Max |
| I _{OHD} | | 5.5 | | | -50 | | -75 | | mA | V _{OHD} = 3.85V Min |
| I _{CC} | Maximum Quiescent Supply Current | 5.5 | 8.0 | | 160.0 | | 80.0 | | μA | V _{IN} = V _{CC} or GND |
| I _{OZT} | Maximum I/O Leakage Current | 5.5 | ±0.6 | | ±11.0 | | ±6.0 | | μA | V _I (OE) = V _{IL} , V _{IH} V _I = V _{CC} , GND V _O = V _{CC} , GND |

†Maximum test duration 2.0 ms, one output loaded at a time.

Note: I_{IN} and I_{CC} @ 3.0V are guaranteed to be less than or equal to the respective limit @ 5.5V V_{CC}.

I_{CC} for 54AC @ 25°C is identical to 74AC @ 25°C.

DC Characteristics for 'ACT Family Devices

| Symbol | Parameter | V _{CC} (V) | 74ACT | | 74ACT | | Units | Conditions |
|------------------|-----------------------------------|------------------------|------------------------|-------------------|------------------------------------|--|-------|---|
| | | | T _A = +25°C | | T _A = -40°C to +85°C | | | |
| | | | Typ | Guaranteed Limits | | | | |
| V _{IH} | Minimum High Level Input Voltage | 4.5 | 1.5 | 2.0 | 2.0 | | V | V _{OUT} = 0.1V or V _{CC} - 0.1V |
| | | 5.5 | 1.5 | 2.0 | 2.0 | | | |
| V _{IL} | Maximum Low Level Input Voltage | 4.5 | 1.5 | 0.8 | 0.8 | | V | V _{OUT} = 0.1V or V _{CC} - 0.1V |
| | | 5.5 | 1.5 | 0.8 | 0.8 | | | |
| V _{OH} | Minimum High Level Output Voltage | 4.5 | 4.49 | 4.4 | 4.4 | | V | I _{OUT} = -50 μA |
| | | 5.5 | 5.49 | 5.4 | 5.4 | | | |
| | | 4.5 | | 3.86 | 3.76 | | V | *V _{IN} = V _{IL} or V _{IH} -24 mA I _{OH} = -24 mA |
| 5.5 | | 4.86 | 4.76 | | | | | |
| V _{OL} | Maximum Low Level Output Voltage | 4.5 | 0.001 | 0.1 | 0.1 | | V | I _{OUT} = 50 μA |
| | | 5.5 | 0.001 | 0.1 | 0.1 | | | |
| | | 4.5 | | 0.36 | 0.44 | | V | *V _{IN} = V _{IL} or V _{IH} 24 mA I _{OL} = 24 mA |
| 5.5 | | 0.36 | 0.44 | | | | | |
| I _{IN} | Maximum Input Leakage Current | 5.5 | | ±0.1 | ±1.0 | | μA | V _I = V _{CC} , GND |
| I _{CCT} | Maximum I _{CC} /Input | 5.5 | 0.6 | | 1.5 | | mA | V _I = V _{CC} - 2.1V |
| I _{OLD} | †Minimum Dynamic Output Current | 5.5 | | | 75 | | mA | V _{OLD} = 1.65V Max |
| I _{OHD} | | 5.5 | | | -75 | | mA | V _{OHD} = 3.85V Min |
| I _{CC} | Maximum Quiescent Supply Current | 5.5 | | 8.0 | 80.0 | | μA | V _{IN} = V _{CC} or GND |
| I _{OZT} | Maximum I/O Leakage Current | 5.5 | | ±0.6 | ±6.0 | | μA | V _I (OE) = V _{IL} , V _{IH} V _I = V _{CC} , GND V _O = V _{CC} , GND |

*All outputs loaded; thresholds on input associated with output under test.

†Maximum test duration 2.0 ms, one output loaded at a time.

AC Electrical Characteristics: See Section 2 for Waveforms

| Symbol | Parameter | V _{CC} * (V) | 74AC | | | 54AC | | 74AC | | Units | Fig. No. |
|------------------|--|--------------------------|--|------|------|---|------|--|------|-------|----------|
| | | | T _A = +25°C C _L = 50 pF | | | T _A = -55°C to +125°C C _L = 50 pF | | T _A = -40°C to +85°C C _L = 50 pF | | | |
| | | | Min | Typ | Max | Min | Max | Min | Max | | |
| t _{PLH} | Propagation Delay Clock to Bus | 3.3 | 4.0 | 10.5 | 16.5 | 1.0 | 20.0 | 3.0 | 18.5 | ns | 2-3, 4 |
| | | 5.0 | 2.5 | 7.5 | 12.0 | 1.5 | 14.0 | 2.0 | 13.0 | | |
| t _{PHL} | Propagation Delay Clock to Bus | 3.3 | 3.0 | 9.5 | 14.5 | 1.0 | 17.5 | 2.5 | 16.0 | ns | 2-3, 4 |
| | | 5.0 | 2.0 | 6.5 | 10.5 | 1.5 | 12.0 | 1.5 | 11.5 | | |
| t _{PLH} | Propagation Delay Bus to Bus | 3.3 | 2.5 | 7.5 | 12.0 | 1.0 | 15.0 | 2.0 | 13.5 | ns | 2-3, 4 |
| | | 5.0 | 1.5 | 5.0 | 8.0 | 1.5 | 10.0 | 1.0 | 9.0 | | |
| t _{PHL} | Propagation Delay Bus to Bus | 3.3 | 1.5 | 7.5 | 12.5 | 1.0 | 14.5 | 1.5 | 13.5 | ns | 2-3, 4 |
| | | 5.0 | 1.5 | 5.0 | 9.0 | 1.5 | 9.5 | 1.0 | 9.5 | | |
| t _{PLH} | Propagation Delay SBA or SAB to A _n or B _n (w/ A _n or B _n HIGH or LOW) | 3.3 | 2.0 | 8.5 | 13.5 | 1.0 | 17.0 | 1.5 | 15.5 | ns | 2-3, 4 |
| | | 5.0 | 1.5 | 6.0 | 10.0 | 1.5 | 12.0 | 1.5 | 11.0 | | |
| t _{PHL} | Propagation Delay SBA or SAB to A _n or B _n (w/ A _n or B _n HIGH or LOW) | 3.3 | 1.5 | 8.5 | 13.5 | 1.0 | 17.0 | 1.5 | 15.0 | ns | 2-3, 4 |
| | | 5.0 | 1.5 | 6.0 | 10.0 | 1.5 | 12.0 | 1.5 | 11.0 | | |
| t _{PZH} | Enable Time Ḡ to A _n or B _n | 3.3 | 2.5 | 7.0 | 11.5 | 1.0 | 13.0 | 2.0 | 12.5 | ns | 2-5 |
| | | 5.0 | 1.5 | 5.0 | 8.5 | 1.5 | 9.5 | 1.5 | 9.0 | | |
| t _{PZL} | Enable Time Ḡ to A _n or B _n | 3.3 | 2.5 | 7.5 | 12.5 | 1.0 | 15.5 | 2.0 | 14.0 | ns | 2-6 |
| | | 5.0 | 1.5 | 5.5 | 9.0 | 1.5 | 11.0 | 1.5 | 10.0 | | |
| t _{PHZ} | Disable Time Ḡ to A _n or B _n | 3.3 | 3.0 | 8.0 | 12.5 | 1.0 | 14.0 | 2.5 | 13.5 | ns | 2-5 |
| | | 5.0 | 2.0 | 6.5 | 10.0 | 1.5 | 11.5 | 2.0 | 11.0 | | |
| t _{PLZ} | Disable Time Ḡ to A _n or B _n | 3.3 | 2.0 | 7.5 | 12.0 | 1.0 | 13.5 | 2.0 | 13.5 | ns | 2-6 |
| | | 5.0 | 1.5 | 6.0 | 9.5 | 1.5 | 11.0 | 1.5 | 10.5 | | |
| t _{PZH} | Enable Time DIR to A _n or B _n | 3.3 | 2.0 | 6.5 | 11.0 | 1.0 | 14.5 | 1.5 | 12.0 | ns | 2-5 |
| | | 5.0 | 1.5 | 5.0 | 7.5 | 1.5 | 10.5 | 1.0 | 8.5 | | |
| t _{PZL} | Enable Time DIR to A _n or B _n | 3.3 | 2.5 | 7.0 | 11.5 | 1.0 | 16.0 | 2.0 | 13.0 | ns | 2-6 |
| | | 5.0 | 1.5 | 5.0 | 8.0 | 1.5 | 12.5 | 1.0 | 9.0 | | |
| t _{PHZ} | Disable Time DIR to A _n or B _n | 3.3 | 2.5 | 7.5 | 11.5 | 1.0 | 14.5 | 1.5 | 12.5 | ns | 2-5 |
| | | 5.0 | 1.5 | 5.5 | 9.5 | 1.5 | 12.0 | 1.5 | 10.0 | | |
| t _{PLZ} | Disable Time DIR to A _n or B _n | 3.3 | 1.5 | 7.5 | 12.0 | 1.0 | 16.5 | 1.5 | 13.5 | ns | 2-6 |
| | | 5.0 | 1.5 | 5.5 | 9.5 | 1.5 | 12.0 | 1.5 | 10.5 | | |

*Voltage Range 3.3 is 3.3V ± 0.3V
Voltage Range 5.0 is 5.0V ± 0.5V

AC Operating Requirements: See Section 2 for Waveforms

| Symbol | Parameter | V _{CC} * (V) | 74AC | | 54AC | | 74AC | | Units | Fig. No. |
|----------------|---|--------------------------|--|--------------------|---|-----|--|-----|-------|----------|
| | | | T _A = +25°C C _L = 50 pF | | T _A = -55°C to +125°C C _L = 50 pF | | T _A = -40°C to +85°C C _L = 50 pF | | | |
| | | | Typ | Guaranteed Minimum | | | | | | |
| t _s | Setup Time, HIGH or LOW Bus to Clock | 3.3 | 2.0 | 5.0 | 6.0 | 5.5 | ns | 2-7 | | |
| | | 5.0 | 1.5 | 4.0 | 4.5 | 4.5 | | | | |
| t _h | Hold Time, HIGH or LOW Bus to Clock | 3.3 | -1.5 | 0 | 1.5 | 0 | ns | 2-7 | | |
| | | 5.0 | -0.5 | 0.5 | 2.0 | 1.0 | | | | |
| t _w | Clock Pulse Width HIGH or LOW | 3.3 | 2.0 | 3.5 | 5.0 | 4.5 | ns | 2-4 | | |
| | | 5.0 | 2.0 | 3.5 | 5.0 | 3.5 | | | | |

*Voltage Range 3.3 is 3.3V ± 0.3V
Voltage Range 5.0 is 5.0V ± 0.5V

AC Electrical Characteristics: See Section 2 for Waveforms

| Symbol | Parameter | V _{CC} * (V) | 74ACT | | | 74ACT | | Units | Fig. No. |
|------------------|--|--------------------------|--|------|------|--|------|-------|----------|
| | | | T _A = +25°C C _L = 50 pF | | | T _A = -40°C to +85°C C _L = 50 pF | | | |
| | | | Min | Typ | Max | Min | Max | | |
| t _{PLH} | Propagation Delay Clock to Bus | 5.0 | 3.5 | 12.0 | 14.5 | 3.0 | 16.0 | ns | 2-3, 4 |
| t _{PHL} | Propagation Delay Clock to Bus | 5.0 | 4.0 | 12.0 | 14.5 | 3.5 | 16.0 | ns | 2-3, 4 |
| t _{PLH} | Propagation Delay Bus to Bus | 5.0 | 3.0 | 8.5 | 10.5 | 2.5 | 11.5 | ns | 2-3, 4 |
| t _{PHL} | Propagation Delay Bus to Bus | 5.0 | 2.5 | 8.5 | 10.5 | 2.0 | 11.5 | ns | 2-3, 4 |
| t _{PLH} | Propagation Delay SBA or SAB to A _n to B _n (w/A _n or B _n HIGH or LOW) | 5.0 | 3.0 | 9.5 | 11.5 | 2.5 | 12.5 | ns | 2-3, 4 |
| t _{PHL} | Propagation Delay SBA or SAB to A _n to B _n (w/A _n or B _n HIGH or LOW) | 5.0 | 3.0 | 9.5 | 11.5 | 2.5 | 12.5 | ns | 2-3, 4 |
| t _{PZH} | Enable Time G̅ to A _n or B _n | 5.0 | 2.0 | 9.0 | 11.0 | 1.5 | 12.0 | ns | 2-5 |
| t _{PZL} | Enable Time G̅ to A _n or B _n | 5.0 | 3.5 | 9.0 | 11.0 | 3.0 | 12.0 | ns | 2-6 |
| t _{PHZ} | Disable Time G̅ to A _n or B _n | 5.0 | 5.0 | 10.5 | 13.0 | 4.5 | 14.5 | ns | 2-5 |
| t _{PLZ} | Disable Time G̅ to A _n or B _n | 5.0 | 3.5 | 10.0 | 12.5 | 3.0 | 14.0 | ns | 2-6 |
| t _{PZH} | Enable Time DIR to A _n or B _n | 5.0 | 2.0 | 6.5 | 10.5 | 1.5 | 11.5 | ns | 2-5 |
| t _{PZL} | Enable Time DIR to A _n or B _n | 5.0 | 3.5 | 6.5 | 10.5 | 3.0 | 11.5 | ns | 2-6 |
| t _{PHZ} | Disable Time DIR to A _n or B _n | 5.0 | 5.0 | 8.5 | 12.5 | 4.5 | 13.5 | ns | 2-5 |
| t _{PLZ} | Disable Time DIR to A _n or B _n | 5.0 | 3.5 | 8.5 | 12.5 | 3.0 | 13.5 | ns | 2-6 |

*Voltage Range 5.0 is 5.0V ± 0.5V

AC Operating Requirements: See Section 2 for Waveforms

| Symbol | Parameter | V _{CC} * (V) | 74ACT | | 74ACT | | Units | Fig. No. |
|----------------|---|--------------------------|--|--------------------|--|--|-------|----------|
| | | | T _A = +25°C C _L = 50 pF | | T _A = -40°C to +85°C C _L = 50 pF | | | |
| | | | Typ | Guaranteed Minimum | | | | |
| t _s | Setup Time, HIGH or LOW BUS to Clock | 5.0 | 2.5 | 7.0 | 8.0 | | ns | 2-7 |
| t _h | Hold Time, HIGH or LOW Bus to Clock | 5.0 | 0 | 2.5 | 2.5 | | ns | 2-7 |
| t _w | Clock Pulse Width HIGH or LOW | 5.0 | 4.5 | 7.0 | 8.0 | | ns | 2-4 |

*Voltage Range 5.0 is 5.0V ± 0.5V

Capacitance

| Symbol | Parameter | Typ | Units | Conditions |
|-----------|-------------------------------|------|-------|-----------------|
| C_{IN} | Input Capacitance | 4.5 | pF | $V_{CC} = OPEN$ |
| $C_{I/O}$ | Input/Output Capacitance | 15.0 | pF | $V_{CC} = 5.0V$ |
| C_{PD} | Power Dissipation Capacitance | 60.0 | pF | $V_{CC} = 5.0V$ |