

NMP(New MP) Transistor Series

Features

- * Small-sized package containing the same chip that has been so far placed in the MP, TO-126 packages.
- * Small-sized package making it possible to make application sets smaller and slimmer.
- * Can meet tape-used automatic mounting requirements.
- * Full line-up of products for wide application.
- * Adoption of MBIT/FBET processes (marked with *)

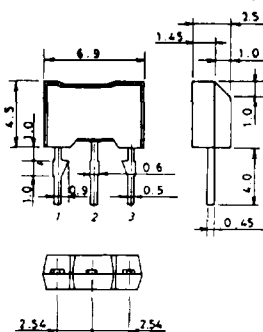
For PNP, (-) sign is omitted.

Type No.	Main Application	Absolute Maximum Ratings/Ta=25°C				Electrical Characteristics/Ta=25°C								Related Type No.	
		V _{CBO} (V)	V _{CEO} (V)	I _C (A)	P _C (W)	V _{CE} (V)	I _C (A)	h _{FE}		I _C (A)	I _B (A)	V _{CE(sat)} typ max			
								min	max			(V)	(V)		
2SA1701 2SC4481	High-current switching	15	15	1.5	0.9	2	0.05	140	~	560	0.4	0.02	0.1	0.2	2SA1882 2SC4984
2SA1702* 2SC4482		25	20	5	1	2	0.5	100	~	400	3	0.06	0.25	0.5	2SB1131*
2SA1703 2SC4483		60	20	5	1	2	0.5	140	~	560	3	0.06	0.22	0.5	2SD1805
2SA1704* 2SC4484*		30	25	1.5	1	2	0.05	100	~	400	0.5	0.05	0.15	0.5	2SB544 2SD400
2SA1705* 2SC4485*		30	25	2.5	1	2	0.1	100	~	400	1.5	75m	0.35	0.6	2SB927* 2SD1247*
2SA1706* 2SC4486*		60	50	1	0.9	2	0.1	100	~	400	0.5	0.05	0.18	0.5	2SB764* 2SD863*
2SA1707* 2SC4487*		60	50	2	1	2	0.1	100	~	400	1	0.05	0.3	0.7	2SB892* 2SD1207*
2SA1707* 2SC4487*		60	50	3	1	2	0.1	100	~	400	2	0.1	0.35	0.7	2SB985* 2SD1347*
2SA1708* 2SC4488*	High-voltage switching	120	100	1	1	5	0.1	100	~	400	0.4	0.04	0.2	0.6	2SA1592* 2SC4134*
2SA1709* 2SC4489*		120	100	2	1	5	0.1	100	~	400	1	0.1	0.22	0.6	2SA1593* 2SC4135*
2SA1768* 2SC4612*		180	160	0.7	1	5	0.1	100	~	400	0.25	25m	0.2	0.5	2SA1418* 2SC3648*
2SA1770* 2SC4614*		180	160	1.5	1	5	0.1	100	~	400	0.5	50m	0.2	0.5	2SA1552* 2SC4027*
2SA1784* 2SC4644*		400	400	0.2	1	10	50m	60	~	200	50m	5m	0.8	0.6	2SA1700* 2SC4003*
2SA1785 2SC4645		400	400	1	1	10	0.1	40	~	200	0.2	20m		1.0	2SA1772 2SC4615
2SA1786 2SC4646		400	400	2	1	10	0.1	40	~	200	0.5	50m		1.0	2SA1773 2SC4616
2SA1710* 2SC4490*		CTV chroma output	300	300	0.1	1	10	0.01	70	~	280	0.02	2m		0.6
2SA1787* 2SC4650*	High-voltage driver	200	200	0.1	1	10	10m	60	~	320	20m	2m		0.6	2SA1370* 2SC3467*
2SB1405 2SD2116	Darlington ◆:With zener diode between C and B	80	50	0.7	1	2	0.05	5000			0.1	0.1m	0.8	1.2	2SB888 2SD1111
2SB1406 2SD2117		80	50	1.5	1	2	0.5	4000			0.5	0.5m	0.9	1.5	2SB865 2SD1153
2SC4491◆		60 ± 10		1.2	1	5	0.5	1000			0.5	2m	1.0	1.5	2SC4169
2SC4671◆		60 ± 10		2	1	5	1	1000			1	4m	1.0	1.5	2SC3785
2SC4696◆		90 ± 10		0.8	1	3	0.5	1000			0.5	1m	0.95	1.5	-
2SD2120		100	80	2	1	(1)3 (2)3	0.5 1	1000 2000~30000			1	2m	1.0	1.5	2SD1914
2SC4480*	High hFE	30	25	2	1	5	0.5	800	~	3200	1	0.02	0.15	0.5	2SC4389

Case Outline (unit:mm)

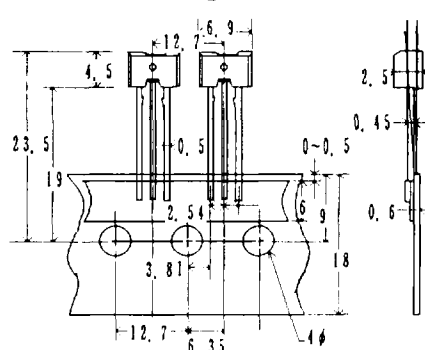
SANYO:NMP

1:Emitter, 2:Collector, 3:Base

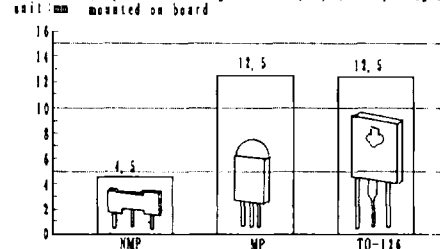


Taping dimension(unit:mm)

An outline is rough, the dimensions are shown is typical value.



Comparison of heights of NMP, MP, TO-116 packages mounted on board



These specifications are subject to change without notice.