

## 74VHC574 • 74VHCT574

### Octal D-Type Flip-Flop with 3-STATE Outputs

#### General Description

The VHC574/VHCT574 is an advanced high speed CMOS octal flip-flop with 3-STATE output fabricated with silicon gate CMOS technology. It achieves the high speed operation similar to equivalent Bipolar Schottky TTL while maintaining the CMOS low power dissipation. This 8-bit D-type flip-flop is controlled by a clock input (CP) and an output enable input ( $\overline{OE}$ ). When the  $\overline{OE}$  input is high, the eight outputs are in a high impedance state.

An input protection circuit ensures that 0V–7V can be applied to the input pins without regard to the supply voltage. This device can be used to interface 5V to 3V systems and two supply systems such as battery back up. This circuit prevents device destruction due to mismatched supply and input voltages.

#### Features

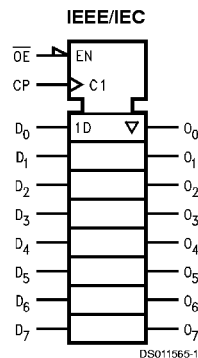
- High Speed:
  - VHC:  $t_{pd} = 5.6$  ns (typ) at  $V_{CC} = 5$  V
  - VHCT:  $t_{pd} = 5.6$  ns (typ) at  $V_{CC} = 5$  V
- High Noise Immunity:
  - VHC:  $V_{NIH} = V_{NIL} = 28\% V_{CC}$  (Min)
  - VHCT:  $V_{IH} = 2.0$ V,  $V_{IL} = 0.8$ V
- Power Down Protection:
  - VHC: Inputs Only
  - VHCT: Inputs and Outputs
- Low Noise:
  - VHC:  $V_{OLP} = 0.6$ V (typ)
  - VHCT:  $V_{OLP} = 0.8$ V (typ)
- Low Power Dissipation:
  - $I_{CC} = 4$   $\mu$ A (Max) @  $T_A = 25^\circ$ C
- Pin and Function Compatible with 74HC/HCT574

#### Ordering Code:

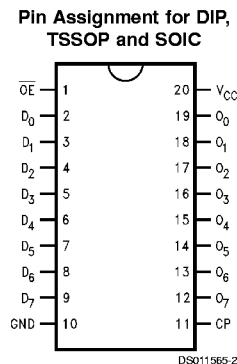
Commercial	Package Number	Package Description
74VHC574M	M20B	20-Lead Molded JEDEC SOIC
74VHCT574M	M20B	20-Lead Molded JEDEC SOIC
74VHC574SJ	M20D	20-Lead Molded EIAJ SOIC
74VHCT574SJ	M20D	20-Lead Molded EIAJ SOIC
74VHC574MTC	MTC20	20-Lead Molded JEDEC Type 1 TSSOP
74VHCT574MTC	MTC20	20-Lead Molded JEDEC Type 1 TSSOP
74VHC574N	N20A	20-Lead Molded DIP
74VHCT574N	N20A	20-Lead Molded DIP

Surface mount packages are also available on Tape and Reel. Specify by appending the suffix letter "X" to the ordering code.

#### Logic Symbol



#### Connection Diagram



## Pin Descriptions

Pin Names	Description
D <sub>0</sub> -D <sub>7</sub>	Data Inputs
CP	Clock Pulse Input
$\overline{OE}$	3-STATE Output Enable Input
O <sub>0</sub> -O <sub>7</sub>	3-STATE Outputs

## Truth Tables

Inputs			Outputs
D <sub>n</sub>	CP	$\overline{OE}$	O <sub>n</sub>
H	↗	L	H
L	↗	L	L
X	X	H	Z

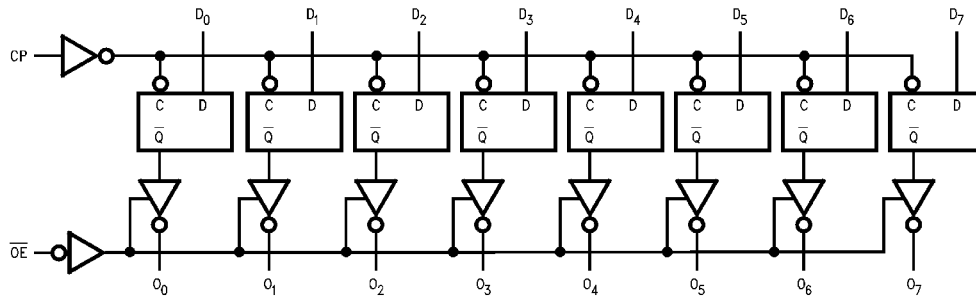
H = HIGH Voltage Level  
 L = LOW Voltage Level  
 X = Immaterial  
 Z = High Impedance  
 ↗ = LOW-to-HIGH Transition

## Functional Description

The VHC/VHCT574 consists of eight edge-triggered flip-flops with individual D-type inputs and 3-STATE true outputs. The buffered clock and buffered Output Enable are common to all flip-flops. The eight flip-flops will store the state of their individual D inputs that meet the setup and hold

time requirements on the LOW-to-HIGH Clock (CP) transition. With the Output Enable ( $\overline{OE}$ ) LOW, the contents of the eight flip-flops are available at the outputs. When the  $\overline{OE}$  is HIGH, the outputs go to the high impedance state. Operation of the  $\overline{OE}$  input does not affect the state of the flip-flops.

## Logic Diagram



DS011965-3

Please note that this diagram is provided only for the understanding of logic operations and should not be used to estimate propagation delays.

## Absolute Maximum Ratings (Note 2)

Supply Voltage ( $V_{CC}$ )	-0.5V to +7.0V
DC Input Voltage ( $V_{IN}$ )	-0.5V to +7.0V
DC Output Voltage ( $V_{OUT}$ )	
VHC	-0.5V to $V_{CC} + 0.5V$
VHCT (Note 1)	-0.5V to +7.0V
Input Diode Current ( $I_{IK}$ )	-20 mA
Output Diode Current	
(VHC)	$\pm 20$ mA
(VHCT)	-20 mA
DC Output Current ( $I_{OUT}$ )	$\pm 25$ mA
DC $V_{CC}$ /GND Current ( $I_{CC}$ )	$\pm 75$ mA
Storage Temperature ( $T_{STG}$ )	-65°C to +150°C
Lead Temperature ( $T_L$ )	
(Soldering, 10 seconds)	260°C

## Recommended Operating Conditions

(Note 3)

Supply Voltage ( $V_{CC}$ )	
VHC	2.0V to +5.5V
VHCT	4.5V to +5.5V
Input Voltage ( $V_{IN}$ )	0V to +5.5V
Output Voltage ( $V_{OUT}$ )	0V to $V_{CC}$
Operating Temperature ( $T_{OPR}$ )	
VHC/VHCT	-40°C to +85°C
Input Rise and Fall Time ( $t_r, t_f$ )	
$V_{CC} = 3.3V \pm 0.3V$ (VHC only)	0 ~ 100 ns/V
$V_{CC} = 5.0V \pm 0.5V$	0 ~ 20 ns/V

Note 1:  $V_{OUT} > V_{CC}$  only if output is in H or Z state.

Note 2: Absolute Maximum Ratings are values beyond which the device may be damaged or have its useful life impaired. The databook specifications should be met, without exception, to ensure that the system design is reliable over its power supply, temperature, and output/input loading variables. Fairchild does not recommend operation outside databook specifications.

Note 3: Unused inputs must be held HIGH or LOW. They may not float.

## DC Electrical Characteristics for VHC

Symbol	Parameter	$V_{CC}$ (V)	$T_A = 25^\circ C$			$T_A = -40^\circ C$ to $+85^\circ C$		Units	Conditions	
			Min	Typ	Max	Min	Max			
$V_{IH}$	High Level Input Voltage	2.0 3.0-5.5	1.50			1.50		V		
$V_{IL}$	Low Level Input Voltage	2.0 3.0-5.5			0.50 0.3 $V_{CC}$	0.50		V		
$V_{OH}$	High Level Output Voltage	2.0	1.9	2.0		1.9		V	$V_{IN} = V_{IH}$ or $V_{IL}$	$I_{OH} = -50 \mu A$
		3.0	2.9	3.0		2.9				
		4.5	4.4	4.5		4.4				
		3.0	2.58			2.48		V		$I_{OH} = -4$ mA $I_{OH} = -8$ mA
		4.5	3.94			3.80				
$V_{OL}$	Low Level Output Voltage	2.0		0.0	0.1		0.1	V	$V_{IN} = V_{IH}$ or $V_{IL}$	$I_{OL} = 50 \mu A$
		3.0		0.0	0.1		0.1			
		4.5		0.0	0.1		0.1			
		3.0			0.36		0.44	V		$I_{OL} = 4$ mA $I_{OL} = 8$ mA
		4.5			0.36		0.44			
$I_{OZ}$	3-STATE Output Off-State Current	5.5			$\pm 0.25$		$\pm 2.5$	$\mu A$	$V_{IN} = V_{IH}$ or $V_{IL}$ $V_{OUT} = V_{CC}$ or GND	
$I_{IN}$	Input Leakage Current	0-5.5			$\pm 0.1$		$\pm 1.0$	$\mu A$	$V_{IN} = 5.5V$ or GND	
$I_{CC}$	Quiescent Supply Current	5.5			4.0		40.0	$\mu A$	$V_{IN} = V_{CC}$ or GND	

## Noise Characteristics for VHC

Symbol	Parameter	V <sub>CC</sub> (V)	T <sub>A</sub> = 25 °C		Units	Conditions
			Typ	Limits		
V <sub>OLP</sub> (Note 4)	Quiet Output Maximum Dynamic V <sub>OL</sub>	5.0	1.0	1.2	V	C <sub>L</sub> = 50 pF
V <sub>OLV</sub> (Note 4)	Quiet Output Minimum Dynamic V <sub>OL</sub>	5.0	-0.8	-1.0	V	C <sub>L</sub> = 50 pF
V <sub>IHD</sub> (Note 4)	Minimum High Level Dynamic Input Voltage	5.0		3.5	V	C <sub>L</sub> = 50 pF
V <sub>ILD</sub> (Note 4)	Maximum Low Level Dynamic Input Voltage	5.0		1.5	V	C <sub>L</sub> = 50 pF

Note 4: Parameter guaranteed by design.

## DC Electrical Characteristics for VHCT

Symbol	Parameter	V <sub>CC</sub> (V)	T <sub>A</sub> = 25 °C			T <sub>A</sub> = -40 °C to +85 °C		Units	Conditions
			Min	Typ	Max	Min	Max		
V <sub>IH</sub>	High Level Input Voltage	4.5	2.0			2.0		V	
		5.5	2.0			2.0			
V <sub>IL</sub>	Low Level Input Voltage	4.5			0.8		0.8	V	
		5.5			0.8		0.8		
V <sub>OH</sub>	High Level Output Voltage	4.5	3.15	3.65		3.15		V	V <sub>IN</sub> = V <sub>IH</sub> I <sub>OH</sub> = -50 μA
			2.5			2.4		V	or V <sub>IL</sub> I <sub>OH</sub> = -8 μA
V <sub>OL</sub>	Low Level Output Voltage	4.5		0.0	0.1		0.1	V	V <sub>IN</sub> = V <sub>IH</sub> I <sub>OL</sub> = 50 μA
					0.36		0.44	V	or V <sub>IL</sub> I <sub>OL</sub> = 8 μA
I <sub>OZ</sub>	3-STATE Output Off-State Current	5.5			±0.25		±2.5	μA	V <sub>IN</sub> = V <sub>IH</sub> or V <sub>IL</sub> V <sub>OUT</sub> = V <sub>CC</sub> or GND
I <sub>IN</sub>	Input Leakage Current	0-5.5			±0.1		±1.0	μA	V <sub>IN</sub> = 5.5V or GND
I <sub>CC</sub>	Quiescent Supply Current	5.5			4.0		40.0	μA	V <sub>IN</sub> = V <sub>CC</sub> or GND
I <sub>CCT</sub>	Maximum I <sub>CC</sub> /Input	5.5			1.35		1.50	mA	V <sub>IN</sub> = 3.4V Other Input = V <sub>CC</sub> or GND
I <sub>OPD</sub>	Output Leakage Current (Power Down State)	0.0			±0.5		+5.0	μA	V <sub>OUT</sub> = 5.5V

## Noise Characteristics for VHCT

Symbol	Parameter	V <sub>CC</sub> (V)	T <sub>A</sub> = 25 °C		Units	Conditions
			Typ	Limits		
V <sub>OLP</sub> (Note 5)	Quiet Output Maximum Dynamic V <sub>OL</sub>	5.0	1.2	1.5	V	C <sub>L</sub> = 50 pF
V <sub>OLV</sub> (Note 5)	Quiet Output Minimum Dynamic V <sub>OL</sub>	5.0	-1.0	-1.3	V	C <sub>L</sub> = 50 pF
V <sub>IHD</sub> (Note 5)	Minimum High Level Dynamic Input Voltage	5.0		2.0	V	C <sub>L</sub> = 50 pF
V <sub>ILD</sub> (Note 5)	Maximum Low Level Dynamic Input Voltage	5.0		0.8	V	C <sub>L</sub> = 50 pF

Note 5: Parameter guaranteed by design.

## AC Electrical Characteristics for VHC

Symbol	Parameter	V <sub>CC</sub> (V)	T <sub>A</sub> = 25° C			T <sub>A</sub> = -40° C to +85° C		Units	Conditions	
			Min	Typ	Max	Min	Max			
t <sub>PLH</sub> t <sub>PHL</sub>	Propagation Delay Time (CP to O <sub>n</sub> )	3.3 ±0.3	8.5	13.2	1.0	15.5	ns	R <sub>L</sub> = 1 kΩ	C <sub>L</sub> = 15 pF	
			11.0	16.7	1.0	19.0			C <sub>L</sub> = 50 pF	
	5.0 ±0.5	5.6	8.6	1.0	10.0	ns	C <sub>L</sub> = 15 pF			
		7.1	10.6	1.0	12.0		C <sub>L</sub> = 50 pF			
t <sub>PZL</sub> t <sub>PZH</sub>	3-STATE Output Enable Time	3.3 ±0.3	8.2	12.8	1.0	15.0	ns	R <sub>L</sub> = 1 kΩ	C <sub>L</sub> = 15 pF	
			10.7	16.3	1.0	18.5			C <sub>L</sub> = 50 pF	
	5.0 ±0.5	5.9	9.0	1.0	10.5	ns	C <sub>L</sub> = 15 pF			
		7.4	11.0	1.0	12.5		C <sub>L</sub> = 50 pF			
t <sub>PLZ</sub> t <sub>PHZ</sub>	3-STATE Output Disable Time	3.3 ±0.3	11.0	15.0	1.0	17.0	ns	R <sub>L</sub> = 1 kΩ	C <sub>L</sub> = 50 pF	
			5.0 ±0.5	7.1	10.1	1.0			11.5	C <sub>L</sub> = 50 pF
t <sub>OSLH</sub> t <sub>OSHL</sub>	Output to Output Skew	3.3 ±0.3	1.5		1.5		ns	(Note 6)	C <sub>L</sub> = 50 pF	
			5.0 ±0.5	1.0		1.0			C <sub>L</sub> = 50 pF	
f <sub>MAX</sub>	Maximum Clock Frequency	3.3 ±0.3	80	125	65		MHz		C <sub>L</sub> = 15 pF	
			50	75	45				C <sub>L</sub> = 50 pF	
		5.0 ±0.5	130	180	110				C <sub>L</sub> = 15 pF	
			85	115	75				C <sub>L</sub> = 50 pF	
C <sub>IN</sub>	Input Capacitance		4	10	10		pF	V <sub>CC</sub> = Open		
C <sub>OUT</sub>	Output Capacitance		6				pF	V <sub>CC</sub> = 5.0V		
C <sub>PD</sub>	Power Dissipation Capacitance		28				pF	(Note 7)		

**Note 6:** Parameter guaranteed by design. t<sub>OSLH</sub> = |t<sub>PLH max</sub> - t<sub>PLH min</sub>|; t<sub>OSHL</sub> = |t<sub>PHL max</sub> - t<sub>PHL min</sub>|

**Note 7:** C<sub>PD</sub> is defined as the value of the internal equivalent capacitance which is calculated from the operating current consumption without load. Average operating current can be obtained by the equation: I<sub>CC (opr.)</sub> = C<sub>PD</sub> \* V<sub>CC</sub> \* f<sub>IN</sub> + I<sub>CC/8</sub> (per F/F). The total C<sub>PD</sub> when n pcs. of the Octal D Flip-Flop operates can be calculated by the equation: C<sub>PD (total)</sub> = 20 + 8n.

## AC Operating Requirements for VHC

Symbol	Parameter	V <sub>CC</sub> (V)	T <sub>A</sub> = 25° C			T <sub>A</sub> = -40° C to +85° C		Units
			Min	Typ	Max	Min	Max	
t <sub>W(H)</sub> t <sub>W(L)</sub>	Minimum Pulse Width (CP)	3.3 ±0.3	5.0			5.0		ns
		5.0 ±0.5	5.0			5.0		
t <sub>S</sub>	Minimum Set-Up Time	3.3 ±0.3	3.5			3.5		ns
		5.0 ±0.5	3.5			3.5		
t <sub>H</sub>	Minimum Hold Time	3.3 ±0.3	1.5			1.5		
		5.0 ±0.5	1.5			1.5		

## AC Electrical Characteristics for VHCT Devices

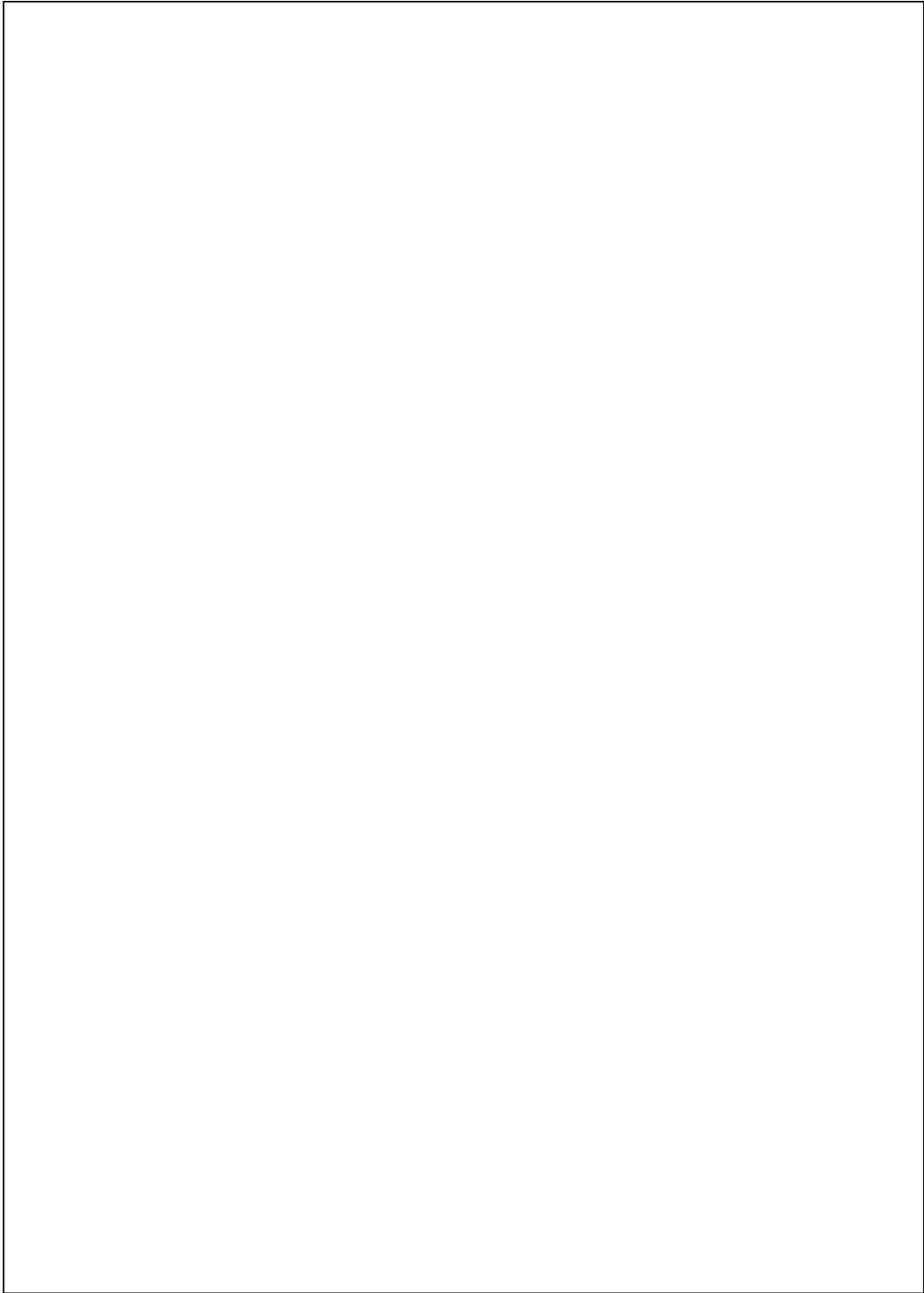
Symbol	Parameter	V <sub>CC</sub> (V)	T <sub>A</sub> = 25° C			T <sub>A</sub> = -40° C to +85° C		Units	Conditions	
			Min	Typ	Max	Min	Max			
t <sub>PLH</sub>	Propagation Delay	5.0 ±0.5		5.6	9.4	1.0	10.5	ns		C <sub>L</sub> = 15 pF
t <sub>PHL</sub>	Time			6.4	10.4	1.0	11.5			C <sub>L</sub> = 50 pF
t <sub>PZL</sub>	3-STATE Output	5.0 ±0.5		6.5	10.2	1.0	11.5	ns	R <sub>L</sub> = 1 kΩ	C <sub>L</sub> = 15 pF
t <sub>PZH</sub>	Enable Time			7.3	11.2	1.0	12.5			C <sub>L</sub> = 50 pF
t <sub>PLZ</sub>	3-STATE Output	5.0 ±0.5		7.0	11.2	1.0	12.0	ns	R <sub>L</sub> = 1 kΩ	C <sub>L</sub> = 50 pF
t <sub>PHZ</sub>	Disable Time									
t <sub>OSLH</sub>	Output to	5.0 ±0.5			1.0		1.0	ns	(Note 8)	
t <sub>OSHL</sub>	Output Skew									
f <sub>MAX</sub>	Maximum Clock Frequency	5.0 ±0.5	90	140		80		MHz		C <sub>L</sub> = 15 pF
			85	130		75				C <sub>L</sub> = 50 pF
C <sub>IN</sub>	Input Capacitance			4	10		10	pF	V <sub>CC</sub> = Open	
C <sub>OUT</sub>	Output Capacitance			9						V <sub>CC</sub> = 5.0V
C <sub>PD</sub>	Power Dissipation Capacitance			27				pF	(Note 9)	

**Note 8:** Parameter guaranteed by design.  $t_{OSLH} = |t_{PLH \max} - t_{PLH \min}|$ ;  $t_{OSHL} = |t_{PHL \max} - t_{PHL \min}|$

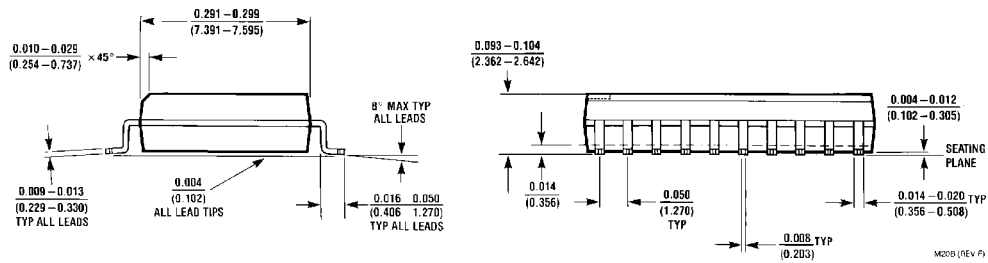
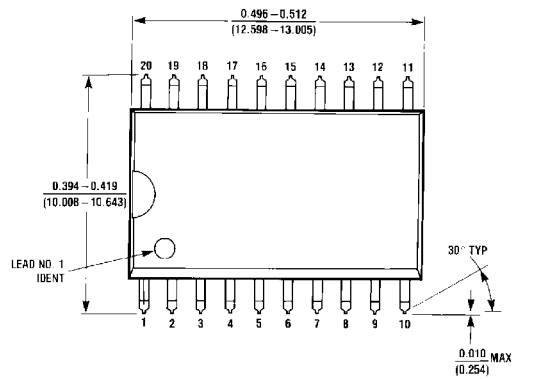
**Note 9:** C<sub>PD</sub> is defined as the value of the internal equivalent capacitance which is calculated from the operating current consumption without load. Average operating current can be obtained by the equation:  $I_{CC \text{ (opr.)}} = C_{PD} * V_{CC} * f_{IN} + I_{CC}/8$  (per F/F). The total C<sub>PD</sub> when n pcs. of the Octal D Flip-Flop operates can be calculated by the equation:  $C_{PD \text{ (total)}} = 20 + 12n$ .

## AC Operating Requirements for VHCT

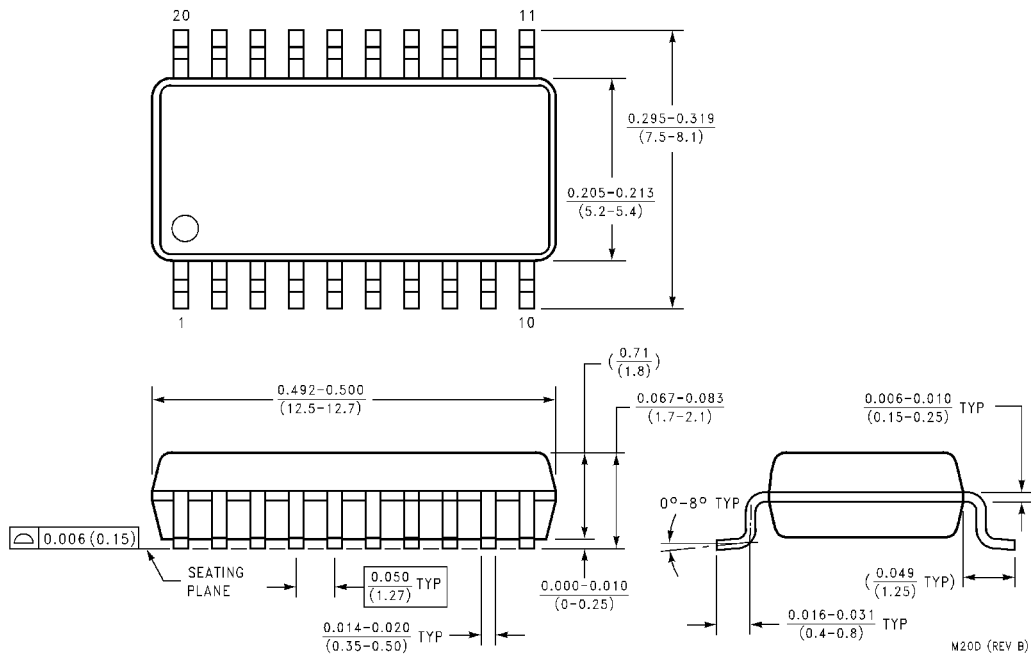
Symbol	Parameter	V <sub>CC</sub> (V)	T <sub>A</sub> = 25° C			T <sub>A</sub> = -40° C to +85° C		Units
			Min	Typ	Max	Min	Max	
t <sub>W(H)</sub>	Minimum Pulse Width (CP)	5.0 ±0.5	6.5			6.5		ns
t <sub>W(L)</sub>								
t <sub>S</sub>	Minimum Set-Up Time	5.0 ±0.5	2.5			2.5		ns
t <sub>H</sub>	Minimum Hold Time	5.0 ±0.5	2.5			2.5		



**Physical Dimensions** inches (millimeters) unless otherwise noted



**20-Lead Small Outline Integrated Circuit JEDEC SOIC (M)**  
**Package Number M20B**

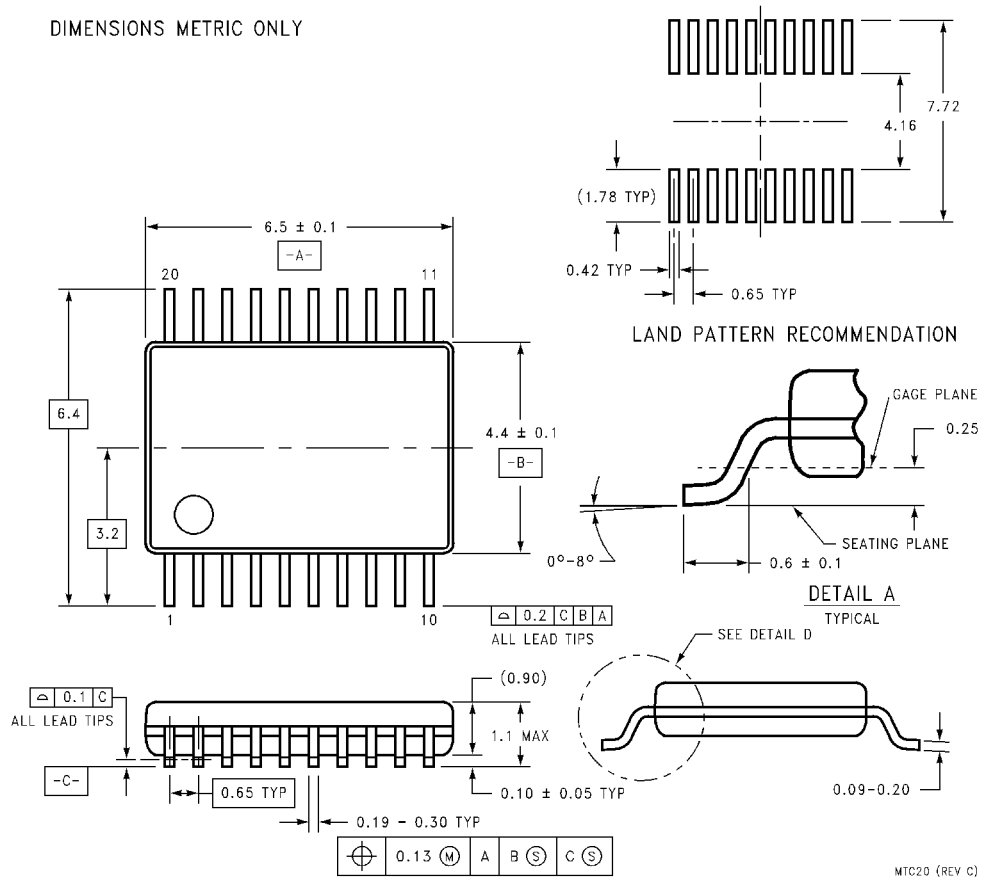


**20-Lead Plastic EIAJ SOIC (SJ)**  
**Package Number M20D**



**Physical Dimensions** inches (millimeters) unless otherwise noted (Continued)

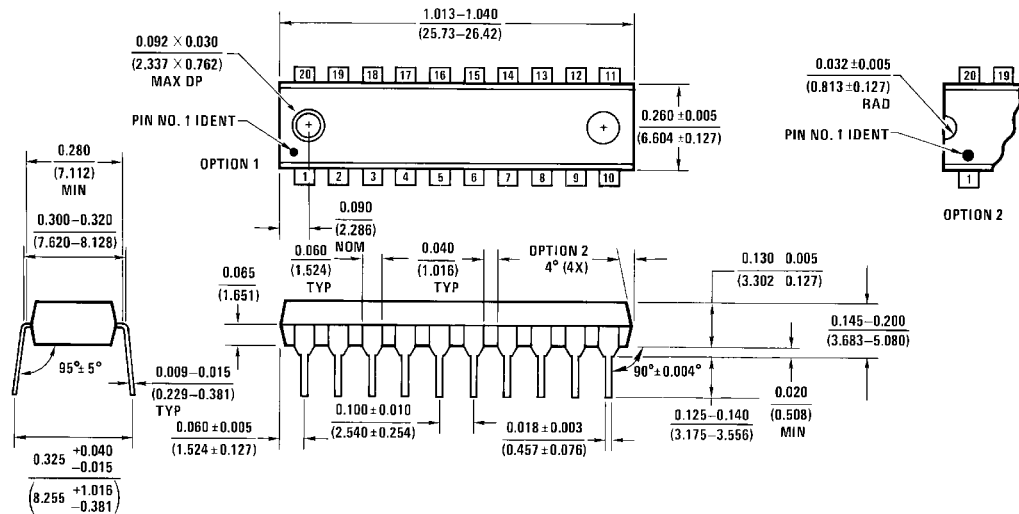
DIMENSIONS METRIC ONLY



**20-Lead Shrink Small Outline JEDEC TSSOP Type 1 (MTC)**  
**Package Number MTC20**

74VHC574 • 74VHC574 Octal D-Type Flip-Flop with 3-STATE Outputs

**Physical Dimensions** inches (millimeters) unless otherwise noted (Continued)



**20-Lead Molded DIP (N)  
Package Number N20A**

N20A (REV G)

**LIFE SUPPORT POLICY**

FAIRCHILD'S PRODUCTS ARE NOT AUTHORIZED FOR USE AS CRITICAL COMPONENTS IN LIFE SUPPORT DEVICES OR SYSTEMS WITHOUT THE EXPRESS WRITTEN APPROVAL OF THE PRESIDENT OF FAIRCHILD SEMICONDUCTOR CORPORATION. As used herein:

1. Life support devices or systems are devices or systems which, (a) are intended for surgical implant into the body, or (b) support or sustain life, and (c) whose failure to perform when properly used in accordance with instructions for use provided in the labeling, can be reasonably expected to result in a significant injury to the user.
2. A critical component in any component of a life support device or system whose failure to perform can be reasonably expected to cause the failure of the life support device or system, or to affect its safety or effectiveness.

Fairchild Semiconductor Corporation  
Americas  
Customer Response Center  
Tel: 1-888-522-5372

Fairchild Semiconductor Europe  
Fax: +49 (0) 1 80-530 85 86  
Email: europe.support@nsc.com  
Deutsch Tel: +49 (0) 8 141-35-0  
English Tel: +44 (0) 1 793-85-68-56  
Italy Tel: +39 (0) 2 57 5631

Fairchild Semiconductor Hong Kong Ltd.  
13th Floor, Straight Block,  
Ocean Centre, 5 Canton Rd.  
Tsimshatsui, Kowloon  
Hong Kong  
Tel: +852 2737-7200  
Fax: +852 2314-0061

National Semiconductor Japan Ltd.  
Tel: 81-3-5620-6175  
Fax: 81-3-5620-6179

www.fairchildsemi.com