

Rochester Electronics Manufactured Components

Rochester branded components are manufactured using either die/wafers purchased from the original suppliers or Rochester wafers recreated from the original IP. All recreations are done with the approval of the OCM.

Parts are tested using original factory test programs or Rochester developed test solutions to guarantee product meets or exceed the OCM data sheet.

Quality Overview

- ISO-9001
- AS9120 certification
- Qualified Manufacturers List (QML) MIL-PRF-35835
 - Class Q Military
 - Class V Space Level
- Qualified Suppliers List of Distributors (QSLD)
 - Rochester is a critical supplier to DLA and meets all industry and DLA standards.

Rochester Electronics, LLC is committed to supplying products that satisfy customer expectations for quality and are equal to those originally supplied by industry manufacturers.

The original manufacturer's datasheet accompanying this document reflects the performance and specifications of the Rochester manufactured version of this device. Rochester Electronics guarantees the performance of its semiconductor products to the original OEM specifications. 'Typical' values are for reference purposes only. Certain minimum or maximum ratings may be based on product characterization, design, simulation, or sample testing.

SN74LS299

8-Bit Shift/Storage Register with 3-State Outputs

The SN74LS299 is an 8-Bit Universal Shift/Storage Register with 3-state outputs. Four modes of operation are possible: hold (store), shift left, shift right and load data.

The parallel load inputs and flip-flop outputs are multiplexed to reduce the total number of package pins. Separate outputs are provided for flip-flops Q₀ and Q₇ to allow easy cascading. A separate active LOW Master Reset is used to reset the register.

- Common I/O for Reduced Pin Count
- Four Operation Modes: Shift Left, Shift Right, Load and Store
- Separate Shift Right Serial Input and Shift Left Serial Input for Easy Cascading
- 3-State Outputs for Bus Oriented Applications
- Input Clamp Diodes Limit High-Speed Termination Effects
- ESD > 3500 Volts

GUARANTEED OPERATING RANGES

Symbol	Parameter	Min	Typ	Max	Unit
V _{CC}	Supply Voltage	4.75	5.0	5.25	V
T _A	Operating Ambient Temperature Range	0	25	70	°C
I _{OH}	Output Current – High Q ₀ , Q ₇			-0.4	mA
I _{OL}	Output Current – Low Q ₀ , Q ₇			8.0	mA
I _{OH}	Output Current – High I/O ₀ – I/O ₇			-2.6	mA
I _{OL}	Output Current – Low I/O ₀ – I/O ₇			24	mA

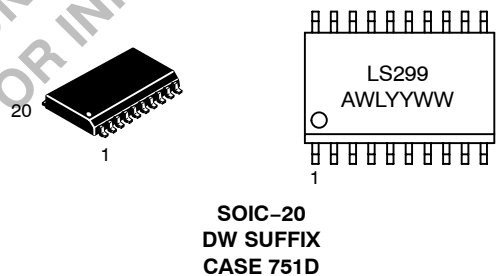
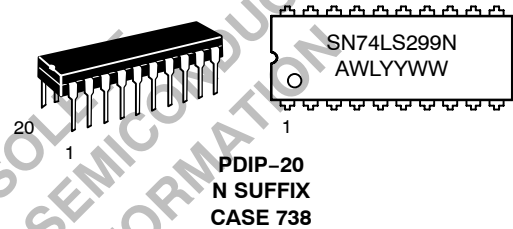


ON Semiconductor

<http://onsemi.com>

**LOW
POWER
SCHOTTKY**

MARKING DIAGRAMS



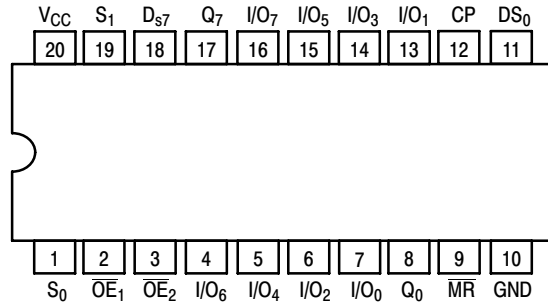
A = Assembly Location
WL = Wafer Lot
YY = Year
WW = Work Week

ORDERING INFORMATION

Device	Package	Shipping
SN74LS299N	PDIP-20	1440 Units/Box
SN74LS299DW	SOIC-WIDE	38 Units/Rail
SN74LS299DWR2	SOIC-WIDE	2500/Tape & Reel

SN74LS299

CONNECTION DIAGRAM DIP (TOP VIEW)

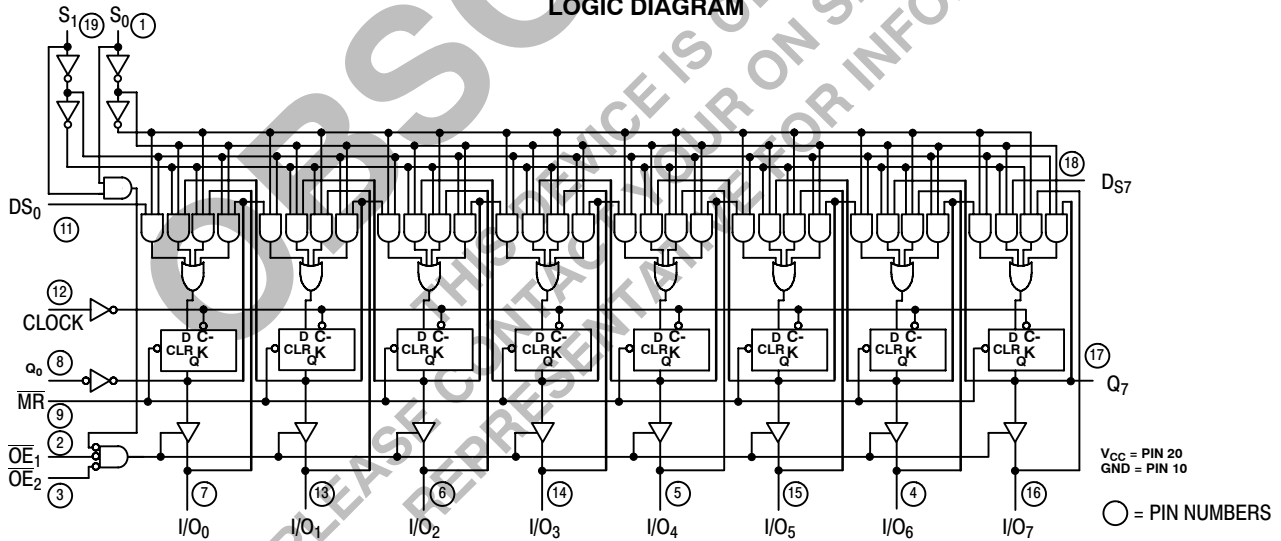


NOTE:
The Flatpak version has the same pinouts (Connection Diagram) as the Dual In-Line Package.

		LOADING (Note a)	
PIN NAMES		HIGH	LOW
CP	Clock Pulse (Active Positive-Going Edge) Input	0.5 U.L.	0.25 U.L.
DS0	Serial Data Input for Right Shift	0.5 U.L.	0.25 U.L.
DS7	Serial Data Input for Left Shift	0.5 U.L.	0.25 U.L.
I/O _n	Parallel Data Input or Parallel Output (3-State)	0.5 U.L.	0.25 U.L.
OE ₁ , OE ₂	3-State Output Enable (Active LOW) Inputs	0.5 U.L.	0.25 U.L.
Q ₀ , Q ₇	Serial Outputs	10 U.L.	5 U.L.
MR	Asynchronous Master Reset (Active LOW) Input	0.5 U.L.	0.25 U.L.
S ₀ , S ₁	Mode Select Inputs	1 U.L.	0.5 U.L.

NOTES:
a) 1 TTL Unit Load (U.L.) = 40 μA HIGH/1.6 mA LOW.

LOGIC DIAGRAM



SN74LS299

FUNCTION TABLE

INPUTS								RESPONSE
MR	S ₁	S ₀	OE ₁	OE ₂	CP	DS ₀	DS ₇	
L	X	X	H	X	X	X	X	Asynchronous Reset; Q ₀ = Q ₇ = LOW I/O Voltage Undetermined
L	X	X	X	H	X	X	X	
L	H	H	X	X	X	X	X	
L	L	X	L	L	X	X	X	Asynchronous Reset; Q ₀ = Q ₇ = LOW I/O Voltage LOW
L	X	L	L	L	X	X	X	
H	L	H	X	X	┌	D	X	Shift Right; D→Q ₀ ; Q ₀ →Q ₁ ; etc.
H	L	H	L	L	└	D	X	Shift Right; D→Q ₀ & I/O ₀ ; Q ₀ →Q ₁ & I/O ₁ ; etc.
H	H	L	X	X	┌	X	D	Shift Left; D→Q ₇ ; Q ₇ →Q ₆ ; etc.
H	H	L	L	L	└	X	D	Shift Left; D→Q ₇ & I/O ₇ ; Q ₇ →Q ₆ & I/O ₆ ; etc.
H	H	H	X	X	┌	X	X	Parallel Load; I/O _n →Q _n
H	L	L	H	X	X	X	X	Hold: I/O Voltage undetermined
H	L	L	X	H	X	X	X	
H	L	L	L	L	X	X	X	Hold: I/O _n = Q _n

H = HIGH Voltage Level
L = LOW Voltage Level
X = Immaterial

OBSOLETE

THIS DEVICE IS OBSOLETE
PLEASE CONTACT YOUR ON SEMICONDUCTOR
REPRESENTATIVE FOR INFORMATION

SN74LS299

DC CHARACTERISTICS OVER OPERATING TEMPERATURE RANGE (unless otherwise specified)

Symbol	Parameter	Limits			Unit	Test Conditions
		Min	Typ	Max		
V _{IH}	Input HIGH Voltage	2.0			V	Guaranteed Input HIGH Voltage for All Inputs
V _{IL}	Input LOW Voltage			0.8	V	Guaranteed Input LOW Voltage for All Inputs
V _{IK}	Input Clamp Diode Voltage		-0.65	-1.5	V	V _{CC} = MIN, I _{IN} = -18 mA
V _{OH}	Output HIGH Voltage I/O ₀ -I/O ₇	2.4	3.1		V	V _{CC} = MIN, I _{OH} = MAX
V _{OH}	Output HIGH Voltage Q ₀ , Q ₇	2.7	3.4		V	V _{CC} = MIN, I _{OH} = MAX
V _{OL}	Output LOW Voltage I/O ₀ -I/O ₇		0.25	0.4	V	I _{OL} = 12 mA
			0.35	0.5	V	I _{OL} = 24 mA
V _{OL}	Output LOW Voltage I/O ₀ -I/O ₇			0.4	V	I _{OL} = 4.0 mA
				0.5	V	I _{OL} = 8.0 mA
I _{OZH}	Output Off Current HIGH I/O ₀ -I/O ₇			40	μA	V _{CC} = MAX, V _{OUT} = 2.7 V
I _{OZL}	Output Off Current LOW I/O ₀ -I/O ₇			-400	μA	V _{CC} = MAX, V _{OUT} = 0.4 V
I _{IH}	Input HIGH Current	Others		20	μA	V _{CC} = MAX, V _{IN} = 2.7 V
		S ₀ , S ₁ , I/O ₀ -I/O ₇		40	μA	
		Others		0.1	mA	V _{CC} = MAX, V _{IN} = 7.0 V
		S ₀ , S ₁ I/O ₀ -I/O ₇		0.2	mA	
				0.1	mA	V _{CC} = MAX, V _{IN} = 5.5 V
I _{IL}	Input LOW Current	Others		-0.4	mA	V _{CC} = MAX, V _{IN} = 0.4 V
		S ₀ , S ₁		-0.8	mA	
I _{OS}	Short Circuit Current (Note 1)	Q ₀ , Q ₇	-20	-100	mA	V _{CC} = MAX
		I/O ₀ -I/O ₇	-30	-130	mA	V _{CC} = MAX
I _{CC}	Power Supply Current			53	mA	V _{CC} = MAX

1. Not more than one output should be shorted at a time, nor for more than 1 second.

SN74LS299

AC CHARACTERISTICS (T_A = 25°C, V_{CC} = 5.0 V)

Symbol	Parameter	Limits			Unit	Test Conditions
		Min	Typ	Max		
f _{MAX}	Maximum Clock Frequency	25	35		MHz	C _L = 15 pF
t _{PHL} t _{PLH}	Propagation Delay, Clock to Q ₀ or Q ₇		26 22	39 33	ns	
t _{PHL}	Propagation Delay, Clear to Q ₀ or Q ₇		27	40	ns	
t _{PHL} t _{PLH}	Propagation Delay, Clock to I/O ₀ –I/O ₇		26 17	39 25	ns	C _L = 45 pF, R _L = 667 Ω
t _{PHL}	Propagation Delay, Clear to I/O ₀ –I/O ₇		26	40	ns	
t _{PZH} t _{PZL}	Output Enable Time		13 19	21 30	ns	
t _{PHZ} t _{PLZ}	Output Disable Time		10 10	15 15	ns	C _L = 5.0 pF

AC SETUP REQUIREMENTS (T_A = 25°C, V_{CC} = 5.0 V)

Symbol	Parameter	Limits			Unit	Test Conditions
		Min	Typ	Max		
t _W	Clock Pulse Width HIGH	25			ns	V _{CC} = 5.0 V
t _W	Clock Pulse Width LOW	13			ns	
t _W	Clear Pulse Width LOW	20			ns	
t _s	Data Setup Time	20			ns	
t _s	Select Setup Time	35			ns	
t _h	Data Hold Time	0			ns	
t _h	Select Hold Time	10			ns	
t _{rec}	Recovery Time	20			ns	

SN74LS299

3-STATE WAVEFORMS

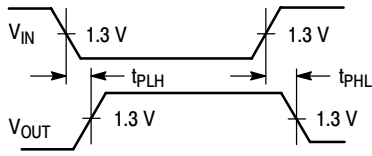


Figure 1.

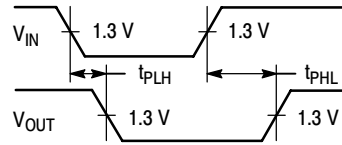


Figure 2.

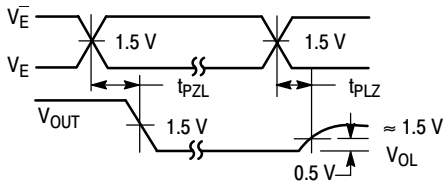


Figure 3.

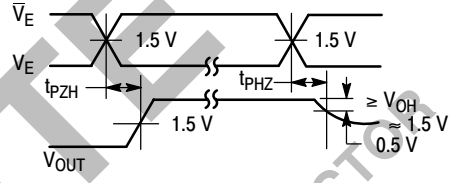
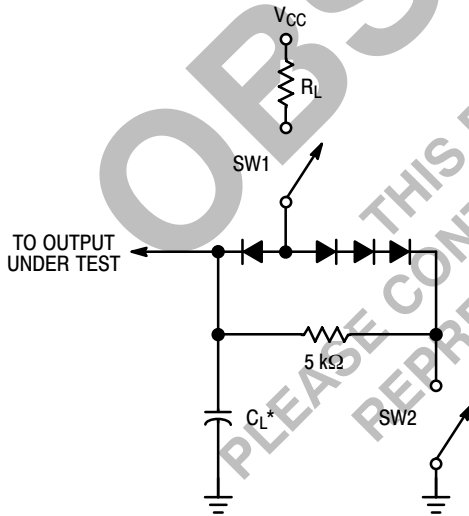


Figure 4.

AC LOAD CIRCUIT



* Includes Jig and Probe Capacitance.

SWITCH POSITIONS

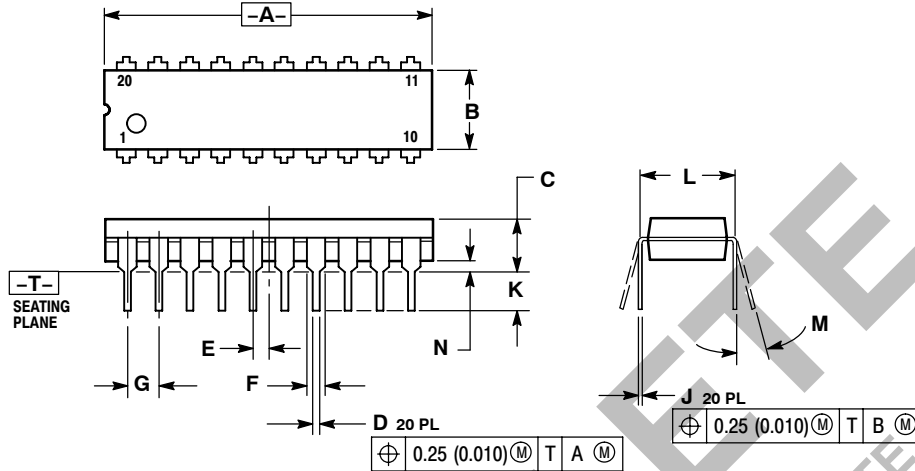
SYMBOL	SW1	SW2
t_{PZH}	Open	Closed
t_{PZL}	Closed	Open
t_{PLZ}	Closed	Closed
t_{PHZ}	Closed	Closed

Figure 5.

SN74LS299

PACKAGE DIMENSIONS

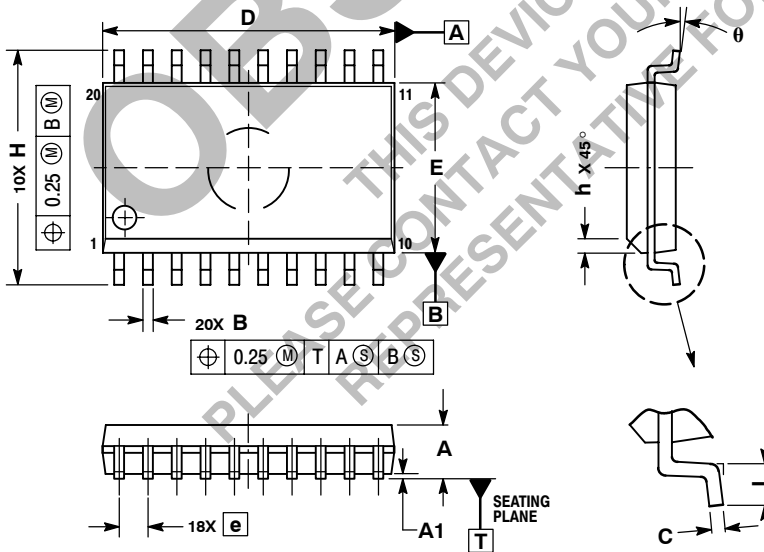
N SUFFIX PLASTIC PACKAGE CASE 738-03 ISSUE E



- NOTES:
1. DIMENSIONING AND TOLERANCING PER ANSI Y14.5M, 1982.
 2. CONTROLLING DIMENSION: INCH.
 3. DIMENSION L TO CENTER OF LEAD WHEN FORMED PARALLEL.
 4. DIMENSION B DOES NOT INCLUDE MOLD FLASH.

DIM	INCHES		MILLIMETERS	
	MIN	MAX	MIN	MAX
A	1.010	1.070	25.66	27.17
B	0.240	0.260	6.10	6.60
C	0.150	0.180	3.81	4.57
D	0.015	0.022	0.39	0.55
E	0.050 BSC		1.27 BSC	
F	0.050	0.070	1.27	1.77
G	0.100 BSC		2.54 BSC	
J	0.008	0.015	0.21	0.38
K	0.110	0.140	2.80	3.55
L	0.300 BSC		7.62 BSC	
M	0°	15°	0°	15°
N	0.020	0.040	0.51	1.01

DW SUFFIX PLASTIC SOIC PACKAGE CASE 751D-05 ISSUE F



- NOTES:
1. DIMENSIONS ARE IN MILLIMETERS.
 2. INTERPRET DIMENSIONS AND TOLERANCES PER ASME Y14.5M, 1994.
 3. DIMENSIONS D AND E DO NOT INCLUDE MOLD PROTRUSION.
 4. MAXIMUM MOLD PROTRUSION 0.15 PER SIDE.
 5. DIMENSION B DOES NOT INCLUDE DAMBAR PROTRUSION. ALLOWABLE PROTRUSION SHALL BE 0.13 TOTAL IN EXCESS OF B DIMENSION AT MAXIMUM MATERIAL CONDITION.

DIM	MILLIMETERS	
	MIN	MAX
A	2.35	2.65
A1	0.10	0.25
B	0.35	0.49
C	0.23	0.32
D	12.65	12.95
E	7.40	7.60
e	1.27 BSC	
H	10.05	10.55
h	0.25	0.75
L	0.50	0.90
θ	0°	7°

OBSOLETE
 THIS DEVICE IS OBSOLETE
 PLEASE CONTACT YOUR ON SEMICONDUCTOR
 REPRESENTATIVE FOR INFORMATION

ON Semiconductor and **ON** are registered trademarks of Semiconductor Components Industries, LLC (SCILLC). SCILLC reserves the right to make changes without further notice to any products herein. SCILLC makes no warranty, representation or guarantee regarding the suitability of its products for any particular purpose, nor does SCILLC assume any liability arising out of the application or use of any product or circuit, and specifically disclaims any and all liability, including without limitation special, consequential or incidental damages. "Typical" parameters which may be provided in SCILLC data sheets and/or specifications can and do vary in different applications and actual performance may vary over time. All operating parameters, including "Typicals" must be validated for each customer application by customer's technical experts. SCILLC does not convey any license under its patent rights nor the rights of others. SCILLC products are not designed, intended, or authorized for use as components in systems intended for surgical implant into the body, or other applications intended to support or sustain life, or for any other application in which the failure of the SCILLC product could create a situation where personal injury or death may occur. Should Buyer purchase or use SCILLC products for any such unintended or unauthorized application, Buyer shall indemnify and hold SCILLC and its officers, employees, subsidiaries, affiliates, and distributors harmless against all claims, costs, damages, and expenses, and reasonable attorney fees arising out of, directly or indirectly, any claim of personal injury or death associated with such unintended or unauthorized use, even if such claim alleges that SCILLC was negligent regarding the design or manufacture of the part. SCILLC is an Equal Opportunity/Affirmative Action Employer. This literature is subject to all applicable copyright laws and is not for resale in any manner.

PUBLICATION ORDERING INFORMATION

LITERATURE FULFILLMENT:

Literature Distribution Center for ON Semiconductor
 P.O. Box 5163, Denver, Colorado 80217 USA
Phone: 303-675-2175 or 800-344-3860 Toll Free USA/Canada
Fax: 303-675-2176 or 800-344-3867 Toll Free USA/Canada
Email: orderlit@onsemi.com

N. American Technical Support: 800-282-9855 Toll Free
 USA/Canada
Europe, Middle East and Africa Technical Support:
 Phone: 421 33 790 2910
Japan Customer Focus Center
 Phone: 81-3-5773-3850

ON Semiconductor Website: www.onsemi.com
Order Literature: <http://www.onsemi.com/orderlit>

For additional information, please contact your local
 Sales Representative