

NC7SZ384

TinyLogic™ UHS 1-Bit Low Power Bus Switch

General Description

The NC7SZ384 provides 1-bit of ultra high-speed CMOS TTL-compatible bus switch. The low on resistance of the switch allows inputs to be connected to outputs with minimal propagation delay and without generating additional ground bounce noise. The device is organized as a 1-bit switch with a bus enable (\overline{BE}) signal. When \overline{BE} is LOW, the switch is on and Port A is connected to Port B. When \overline{BE} is HIGH, the switch is open and a high-impedance state exists between the two ports.

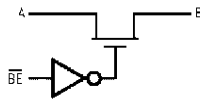
Features

- Space saving SOT23 or SC70 5-lead package
- 5Ω switch connection between two ports
- Minimal propagation delay through the switch
- Low I_{CC}
- Zero bounce in flow-through mode
- Control inputs compatible with TTL level

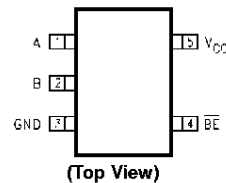
Ordering Code:

Order Number	Package Number	Package Top Mark	Package Description	Supplied As
NC7SZ384M5	MA05B	8Z84	5-Lead SOT23, JEDEC MO-178, 1.6mm	250 Units on Tape and Reel
NC7SZ384M5X	MA05B	8Z84	5-Lead SOT23, JEDEC MO-178, 1.6mm	3k Units on Tape and Reel
NC7SZ384P5	MAA05A	Z84	5-Lead SC70, EIAJ SC-88a, 1.25mm Wide	250 Units on Tape and Reel
NC7SZ384P5X	MAA05A	Z84	5-Lead SC70, EIAJ SC-88a, 1.25mm Wide	3k Units on Tape and Reel

Logic Diagram



Connection Diagram



Pin Description

Pin Name	Description
\overline{BE}	Bus Switch Enable
A	Bus A
B	Bus B

Truth Table

\overline{BE}	B_O	Function
L	A_O	Connect
H	HIGH-Z State	Disconnect

TinyLogic™ is a trademark of Fairchild Semiconductor Corporation

Absolute Maximum Ratings (Note 1)		Recommended Operating Conditions	
Supply Voltage (V_{CC})	0.5V to +7.0V	Power Supply Operating (V_{CC})	4.0V to 5.5V
DC Switch Voltage (V_S)	-0.5V to +7.0V	Input Voltage (V_{IN})	0V to 5.5V
DC Input Voltage (V_{IN}) (Note 2)	-0.5V to +7.0V	Output Voltage (V_{OUT})	0V to 5.5V
DC Input Diode Current (I_{IK}) $V_{IN} < 0V$	-50 mA	Input Rise and Fall Time (t_r, t_f)	
DC Output (I_{OUT}) Sink Current	128 mA	Switch Control Input	0 ns/V to 5 ns
DC V_{CC}/GND Current (I_{CC}/I_{GND})	± 100 mA	Switch I/O	0 ns/V to DC
Storage Temperature Range (T_{STG})	-65°C to +150°C	Operating Temperature (T_A)	-40°C to +85°C
Junction Temperature under Bias (T_J)	+150°C	Thermal Resistance (θ_{JA})	
Junction Lead Temperature (T_L) (Soldering, 10 Seconds)	+260°C	SOT23-5	300°C/W
Power Dissipation (P_D) @ +85°C		SC70-5	425°C/W
SOT23-5	200 mW	Note 1: The 'Absolute Maximum Ratings' are those values beyond which the safety of the device cannot be guaranteed. The device should not be operated at these limits. The parametric values defined in the Electrical Characteristics tables are not guaranteed at the absolute maximum ratings. The 'Recommended Operating Conditions' table will define the conditions for actual device operation.	
SC70-5	150 mW	Note 2: The input and output negative voltage ratings may be exceeded if the input and output diode current ratings are observed.	

DC Electrical Characteristics

Symbol	Parameter	V_{CC} (V)	$T_A = -40^\circ\text{C to } +85^\circ\text{C}$			Units	Conditions
			Min	Typ	Max		
V_{IK}	Clamp Diode Voltage	4.5			-1.2	-V	$I_{IN} = -18$ mA
V_{IH}	HIGH Level Input Voltage	4.5-5.5	2.0			V	
V_{IL}	LOW Level Input Voltage	4.5-5.5			0.8	V	
I_{IN}	Input Leakage Current	5.5			± 1.0	μA	$0 \leq V_{IN} \leq 5.5V$
I_{OFF}	"OFF" Leakage Current	5.5			± 10.0	μA	$0 \leq A, B \leq V_{CC}$
R_{ON}	Switch On Resistance (Note 3)	4.5		3	7	Ω	$V_{IN} = 0V, I_{IN} = 64$ mA
		4.5		3	7	Ω	$V_{IN} = 0V, I_{IN} = 30$ mA
		4.5		6	15	Ω	$V_{IN} = 2.4V, I_{IN} = 15$ mA
		4.0		10	20	Ω	$V_{IN} = 2.4V, I_{IN} = 15$ mA
I_{CC}	Quiescent Supply Current	5.5			10	μA	$V_{IN} = V_{CC}$ or GND $I_O = 0$
ΔI_{CC}	Increase in I_{CC} per Input (Note 4)	5.5		0.9	2.5	mA	$V_{IN} = 3.4V, I_O = 0$, Control Input only

Note 3: Measured by the voltage drop between A and B pins at the indicated current through the switch. On resistance is determined by the lower of the voltages on the two (A or B) pins.

Note 4: Per TTL driven input ($V_{IN} = 3.4V$ control input only). A and B pins do not contribute to I_{CC} .

AC Electrical Characteristics

Symbol	Parameter	V _{CC} (V)	T _A = -40°C to +85°C, C _L = 50 pF, R _U = R _D = 500Ω			Units	Conditions	Fig. No.
			Min	Typ (Note 5)	Max			
t _{PHL}	Prop Delay Bus to Bus (Note 6)	4.0-5.5				ns	V _{IN} = open	Figure 1 Figure 2
t _{PLH}								
t _{pZL}	Output Enable Time	4.5-5.5	1.0	2.5	5.0	ns	V _{IN} = 7V for t _{pZL}	Figure 1 Figure 2
t _{pZH}			1.0		5.5		V _{IN} = open for t _{pZH}	
t _{PLZ}	Output Disable Time	4.5-5.5	1.0	2.5	5.0	ns	V _{IN} = 7V for t _{PLZ}	Figure 1 Figure 2
t _{PHZ}			1.0		5.5		V _{IN} = open for t _{PHZ}	

Capacitance (Note 7)

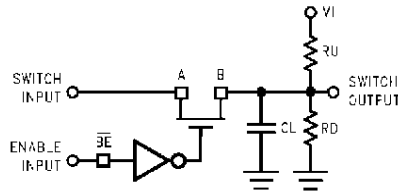
Symbol	Parameter	Typ	Max	Units	Conditions
C _{IN}	Control Pin Input Capacitance	2	6	pF	V _{CC} = 5.0V
C _{I/O}	Input/Output Capacitance	4.5	10	pF	V _{CC} , BE = 5.0V

Note 5: All typical values are V_{CC} = 5.0V, T_A = 25°C

Note 6: This parameter is guaranteed by design but is not tested. The bus switch contributes no propagation delay other than the RC delay of the typical On resistance of the switch and the 50 pF load capacitance when driven by an ideal voltage source (zero output impedance).

Note 7: T_A = 25°C, f = 1 MHz

AC Loading and Waveforms



Input driven by 50Ω source terminated in 50Ω

C_L includes load and stray capacitance

Input PRF = 1.0 MHz, t_w = 500 ns

FIGURE 1. AC Test Circuit

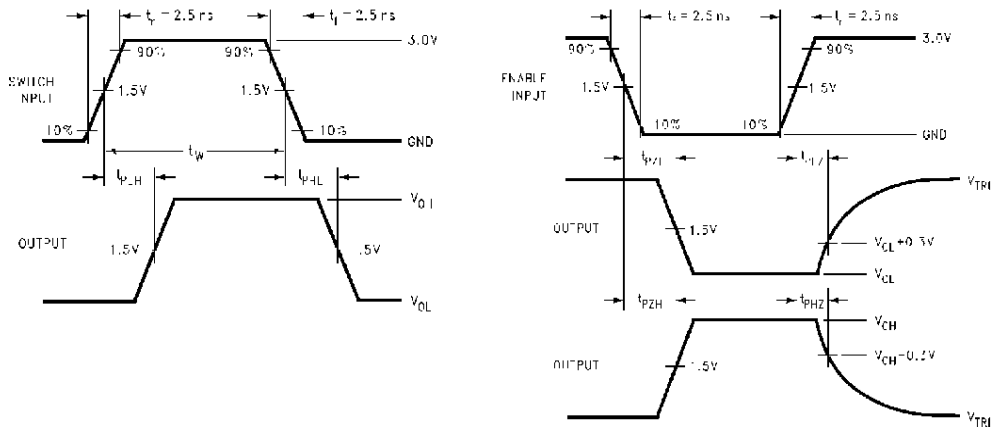


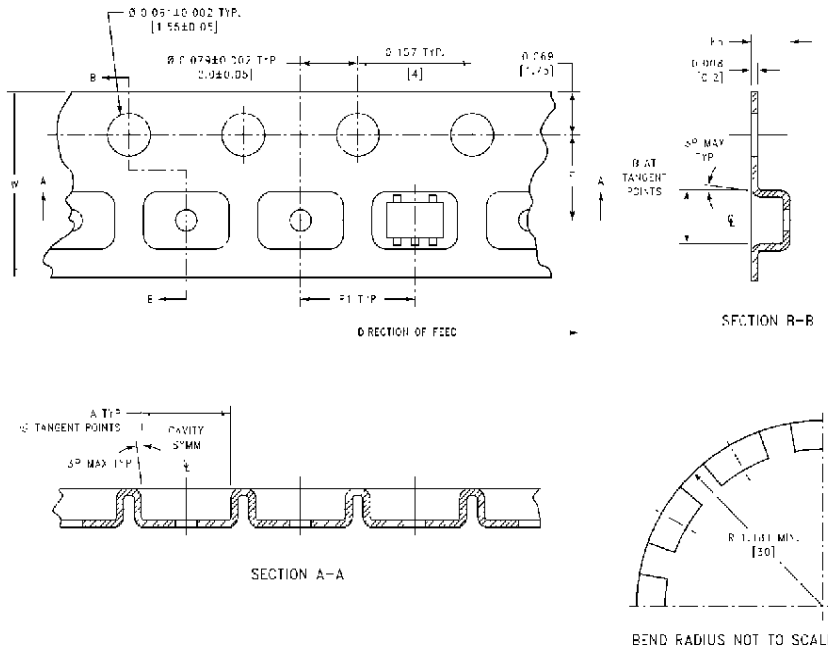
FIGURE 2. AC Waveforms

Tape and Reel Specification

TAPE FORMAT

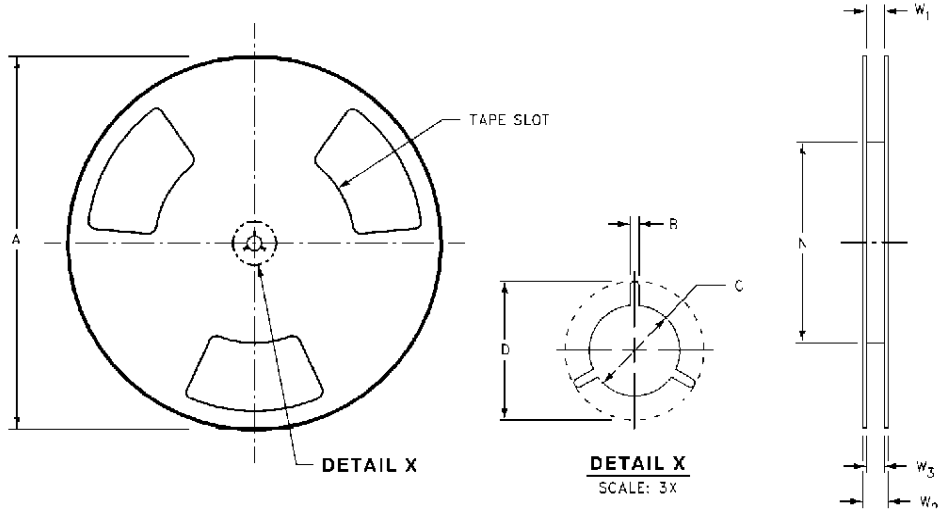
Package Designator	Tape Section	Number Cavities	Cavity Status	Cover Tape Status
M5, P5	Leader (Start End)	125 (typ)	Empty	Sealed
	Carrier	250	Filled	Sealed
	Trailer (Hub End)	75 (typ)	Empty	Sealed
M5X, P5X	Leader (Start End)	125 (typ)	Empty	Sealed
	Carrier	3000	Filled	Sealed
	Trailer (Hub End)	75 (typ)	Empty	Sealed

TAPE DIMENSIONS inches (millimeters)



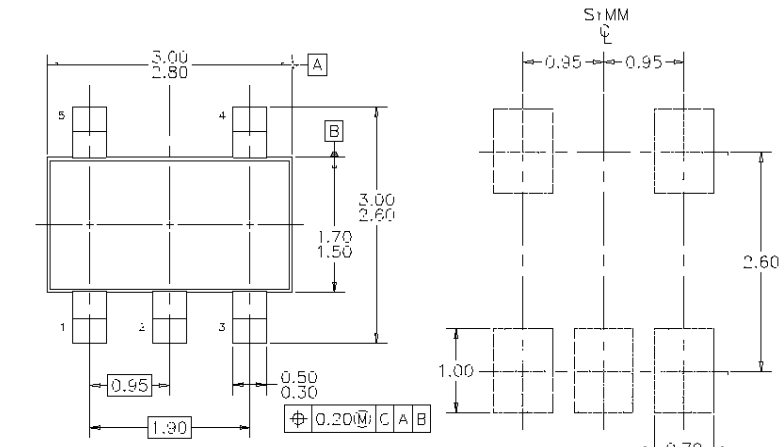
Package	Tape Size	DIM A	DIM B	DIM F	DIM K ₀	DIM P1	DIM W
SC70-5	8 mm	0.093 (2.35)	0.096 (2.45)	0.138 ± 0.004 (3.5 ± 0.10)	0.053 ± 0.004 (1.35 ± 0.10)	0.157 (4)	0.315 ± 0.004 (8 ± 0.1)
SOT23-5	8 mm	0.130 (3.3)	0.130 (3.3)	0.138 ± 0.002 (3.5 ± 0.05)	0.055 ± 0.004 (1.4 ± 0.11)	0.157 (4)	0.315 ± 0.012 (8 ± 0.3)

REEL DIMENSIONS inches (millimeters)

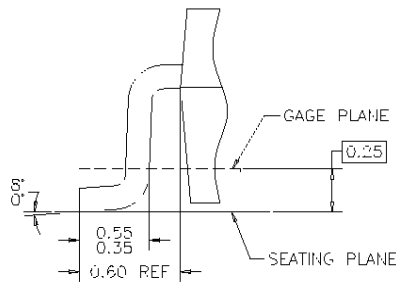
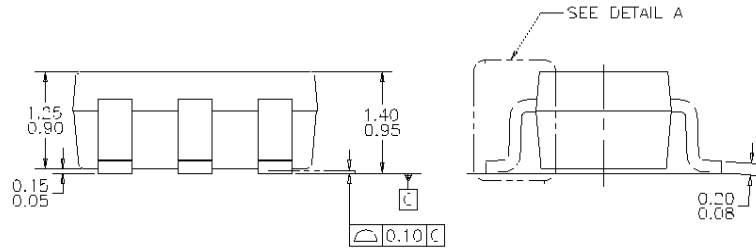


Tape Size	A	B	C	D	N	W1	W2	W3
8 mm	7.0 (177.8)	0.059 (1.50)	0.512 (13.00)	0.795 (20.20)	2.165 (55.00)	0.331 + 0.059/-0.000 (8.40 + 1.50/-0.00)	0.567 (14.40)	W1 + 0.078/-0.039 (W1 + 2.00/-1.00)

Physical Dimensions inches (millimeters) unless otherwise noted



LAND PATTERN RECOMMENDATION

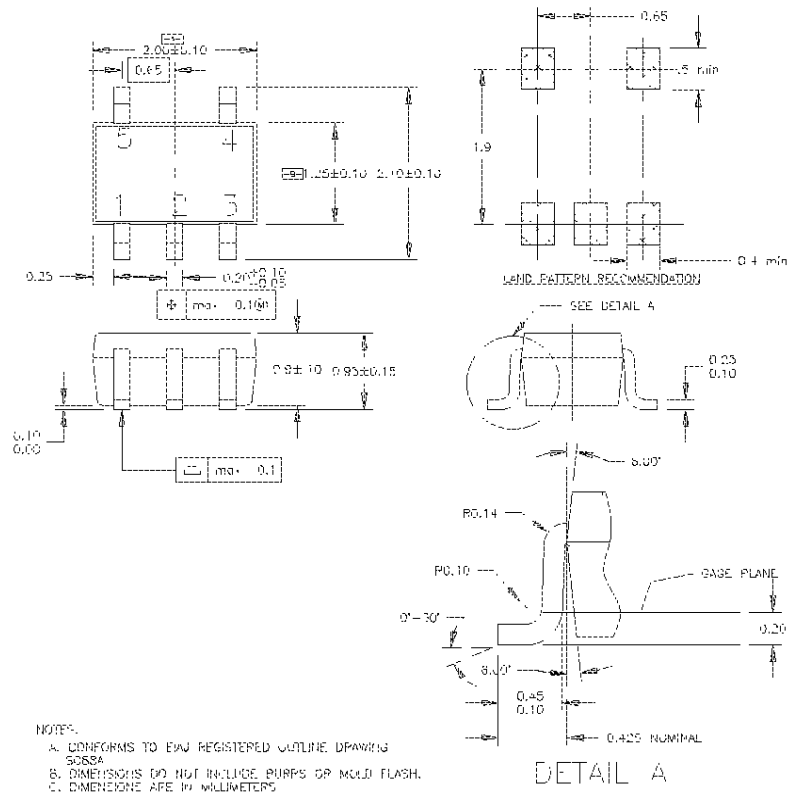


NOTES: UNLESS OTHERWISE SPECIFIED

- A) THIS PACKAGE CONFORMS TO JEDEC MO-178, ISSUE B, VARIATION AA, DATED JANUARY 1999.
- B) ALL DIMENSIONS ARE IN MILLIMETERS.

**5-Lead SOT23, JEDEC MO-178, 1.6mm
Package Number MA05B**

Physical Dimensions inches (millimeters) unless otherwise noted (Continued)



**5-Lead SC70, EIAJ SC-88a, 1.25mm Wide
Package Number MAA05A**

LIFE SUPPORT POLICY

FAIRCHILD'S PRODUCTS ARE NOT AUTHORIZED FOR USE AS CRITICAL COMPONENTS IN LIFE SUPPORT DEVICES OR SYSTEMS WITHOUT THE EXPRESS WRITTEN APPROVAL OF THE PRESIDENT OF FAIRCHILD SEMICONDUCTOR CORPORATION. As used herein:

1. Life support devices or systems are devices or systems which, (a) are intended for surgical implant into the body, or (b) support or sustain life, and (c) whose failure to perform when properly used in accordance with instructions for use provided in the labeling, can be reasonably expected to result in a significant injury to the user.
2. A critical component in any component of a life support device or system whose failure to perform can be reasonably expected to cause the failure of the life support device or system, or to affect its safety or effectiveness.

www.fairchildsemi.com

Fairchild does not assume any responsibility for use of any circuitry described, no circuit patent licenses are implied and Fairchild reserves the right at any time without notice to change said circuitry and specifications.