

DM74ALS165

8-Bit Parallel In/Serial Out Shift Register

Features

- Complementary outputs
- Direct overriding load (data) inputs
- Gated clock inputs
- Parallel-to-serial data conversion

General Description

The DM74ALS165 is an 8-bit serial register that, when clocked, shifts the data toward serial output, \overline{Q}_H . Parallel-in access to each stage is provided by eight individual direct data inputs that are enabled by a low level at the SH/\overline{LD} input. The DM74ALS165 also features a clock inhibit function and a complemented serial output, \overline{Q}_H .

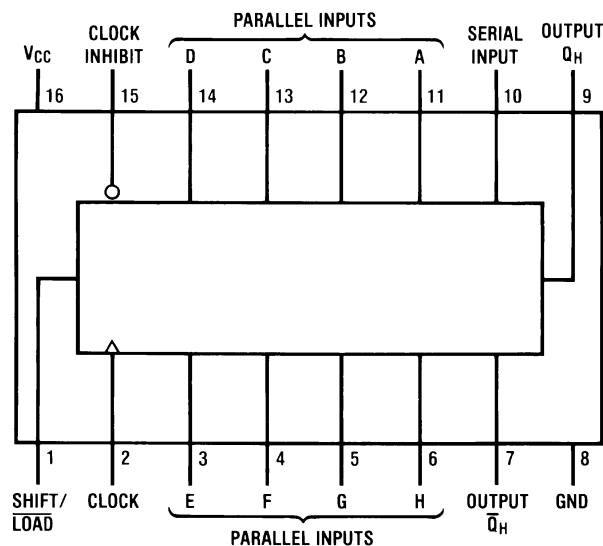
Clocking is accomplished by a LOW-to-HIGH transition of the CLK input while SH/\overline{LD} is held HIGH and CLK INH is held LOW. The functions of the CLK and CLK INH (clock inhibit) inputs are interchangeable. Since a LOW CLK input and a LOW-to-HIGH transition of CLK INH will also accomplish clocking, CLK INH should be changed to the high level only while the CLK input is HIGH. Parallel loading is inhibited when SH/\overline{LD} is held HIGH. The parallel inputs to the register are enabled while SH/\overline{LD} is LOW independently of the levels of CLK, CLK INH, or SER inputs.

Ordering Information

| Order Number | Package Number | Package Description |
|--------------|----------------|--|
| DM74ALS165M | M16A | 16-Lead Small Outline Integrated Circuit (SOIC), JEDEC MS-012, 0.150" Narrow |

Devices also available in Tape and Reel. Specify by appending the suffix letter "X" to the ordering number.

Connection Diagram



Function Table

| Inputs | | | | | Internal Outputs | | Output Q_H |
|------------|---------------|-------|--------|----------------|------------------|----------|--------------|
| Shift/Load | Clock Inhibit | Clock | Serial | Parallel A...H | Q_A | Q_B | |
| L | X | X | X | a...h | a | b | h |
| H | L | L | X | X | Q_{A0} | Q_{B0} | Q_{H0} |
| H | L | ↑ | H | X | H | Q_{An} | Q_{Gn} |
| H | L | ↑ | L | X | L | Q_{An} | Q_{Gn} |
| H | ↑ | L | H | X | H | Q_{An} | Q_{Gn} |
| H | ↑ | L | L | X | L | Q_{An} | Q_{Gn} |
| H | H | X | X | X | Q_{A0} | Q_{B0} | Q_{H0} |

H = HIGH Level (steady-state)

L = LOW Level (steady-state)

X = Don't Care (any input, including transitions)

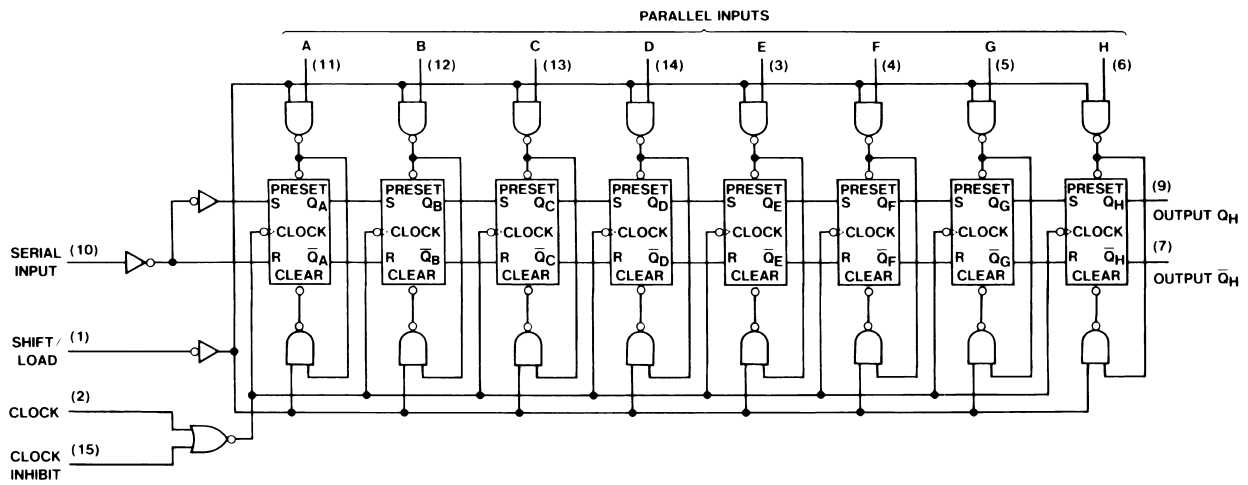
↑ = Transition from LOW-to-HIGH level

a...h = The level of steady-state input at inputs A through H, respectively

Q_{A0} , Q_{B0} , Q_{H0} = The level of Q_A , Q_B , or Q_H , respectively, before the indicated steady-state input conditions were established

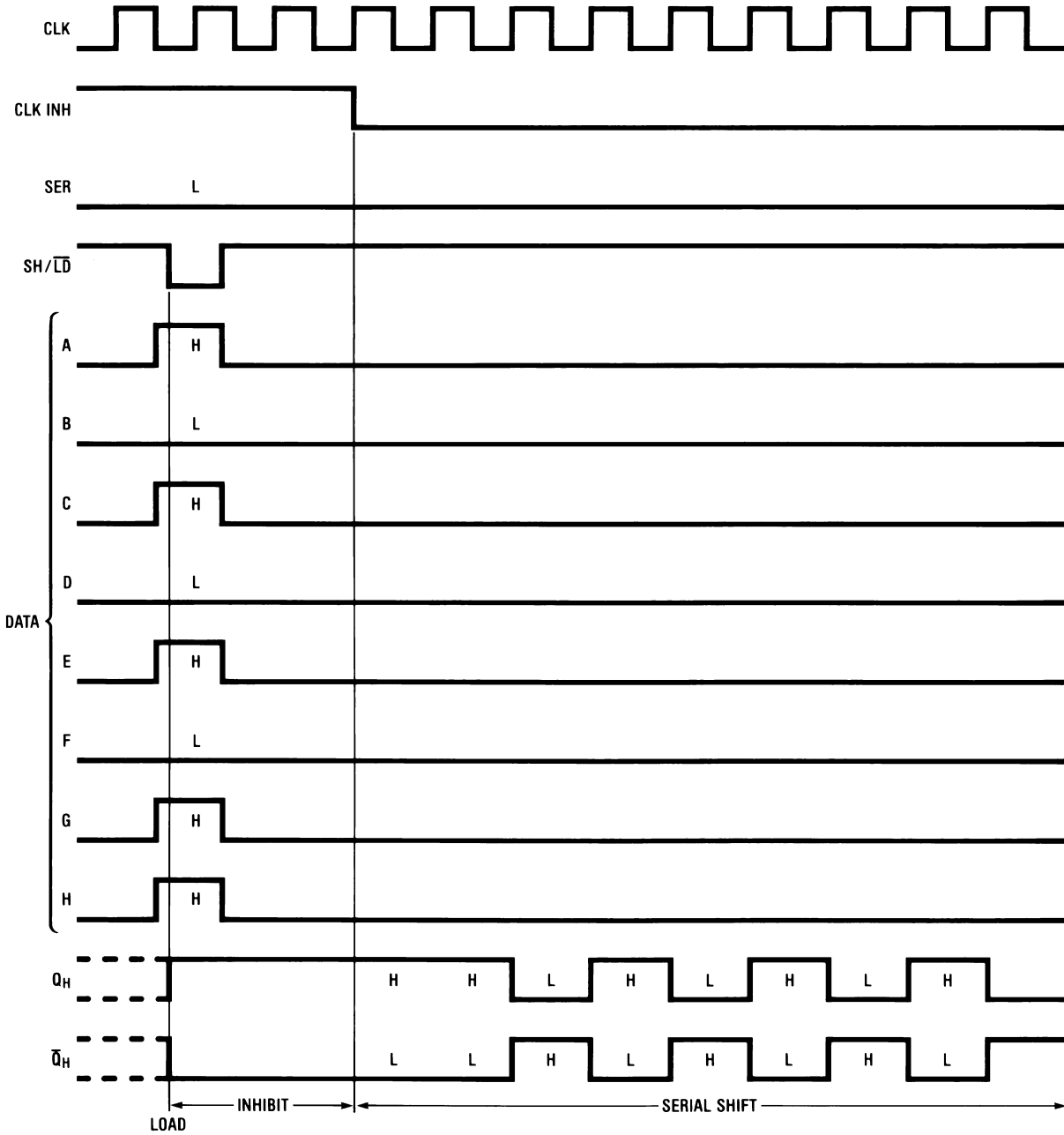
Q_{An} , Q_{Gn} = The level of Q_A or Q_G , respectively, before the most recent ↑ transition of the clock

Logic Diagram



Timing Diagram

Typical Shift, Load, and Inhibit Sequences



Absolute Maximum Ratings

Stresses exceeding the absolute maximum ratings may damage the device. The device may not function or be operable above the recommended operating conditions and stressing the parts to these levels is not recommended. In addition, extended exposure to stresses above the recommended operating conditions may affect device reliability. The absolute maximum ratings are stress ratings only.

| Symbol | Parameter | Rating |
|---------------|--------------------------------------|-----------------|
| V_{CC} | Supply Voltage | 7V |
| V_I | Input Voltage | 7V |
| T_A | Operating Free Air Temperature Range | 0°C to +70°C |
| T_{STG} | Storage Temperature Range | -65°C to +150°C |
| θ_{JA} | Typical Thermal Resistance | 104.0°C/W |

Recommended Operating Conditions

The Recommended Operating Conditions table defines the conditions for actual device operation. Recommended operating conditions are specified to ensure optimal performance to the datasheet specifications. Fairchild does not recommend exceeding them or designing to absolute maximum ratings.

| Symbol | Parameter | Min. | Typ. | Max. | Units |
|-------------|--------------------------------|---------------------------------|------|------|-------|
| V_{CC} | Supply Voltage | 4.5 | 5 | 5.5 | V |
| V_{IH} | HIGH Level Input Voltage | 2 | | | V |
| V_{IL} | LOW Level Input Voltage | | | 0.8 | V |
| I_{OH} | HIGH Level Output Current | | | -0.4 | mA |
| I_{OL} | LOW Level Output Current | | | 8 | mA |
| f_{CLOCK} | Clock Frequency | 45 | | | MHz |
| t_W | Pulse Duration | CLK HIGH | 11 | | ns |
| | | CLK LOW | 11 | | |
| | | Load | 12 | | |
| t_{SU} | Setup Time | SH/ \overline{LD} | 10 | | ns |
| | | Data | 10 | | |
| t_{SU} | Setup Time | CLK INH \downarrow before CLK | 11 | | ns |
| | | Serial before CLK | 10 | | |
| t_H | Hold Time | 4 | | | ns |
| T_A | Operating Free Air Temperature | 0 | | 70 | °C |

Electrical Characteristics

Over recommended operating free air temperature range (unless otherwise noted).

| Symbol | Parameter | Conditions | Min. | Typ. ⁽¹⁾ | Max. | Units |
|-------------|------------------------------------|---|--------------|---------------------|------------|---------|
| V_{IK} | Input Clamp Voltage | $V_{CC} = 4.5V, I_I = -18mA$ | | | -1.5 | V |
| V_{OH} | HIGH Level Output Voltage | $I_{OH} = -0.4mA$ $V_{CC} = 4.5V \text{ to } 5.5V$ | $V_{CC} - 2$ | | | V |
| V_{OL} | LOW Level Output Voltage | $V_{CC} = 4.5V$ $I_{OL} = 4mA$ $I_{OL} = 8mA$ | | 0.25 0.35 | 0.4 0.5 | V |
| I_I | Input Current at Max Input Voltage | $V_{CC} = 5.5V, V_I = 7V$ | | | 0.1 | mA |
| I_{IH} | HIGH Level Input Current | $V_{CC} = 5.5V, V_I = 2.7V$ | | | 20 | μA |
| I_{IL} | LOW Level Input Current | $V_{CC} = 5.5V, V_I = 0.4V$ | | | -0.1 | mA |
| $I_O^{(2)}$ | Output Drive Current | $V_{CC} = 5.5V, V_O = 2.25V$ | -30 | | -112 | mA |
| I_{CC} | Supply Current | $V_{CC} = 5.5V^{(3)}$ | | 16 | 24 | mA |

Notes:

- All typical values are at $V_{CC} = 5V, T_A = 25^\circ C$.
- The output conditions have been chosen to produce a current that closely approximates one half of the true short-circuit output current, I_{OS} .
- With the outputs open, CLK INH and CLK at 4.5V, and a clock pulse applied to the SH/ \overline{LD} input, I_{CC} is measured first with the parallel inputs at 4.5V, then with the parallel inputs grounded.

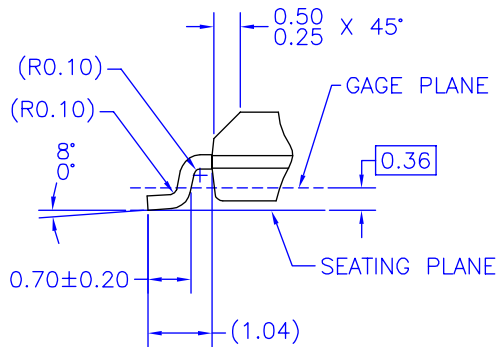
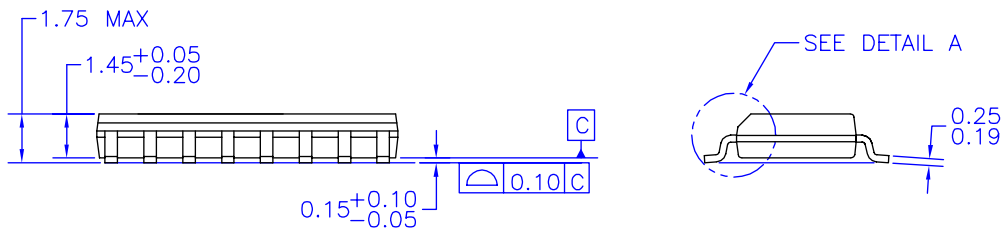
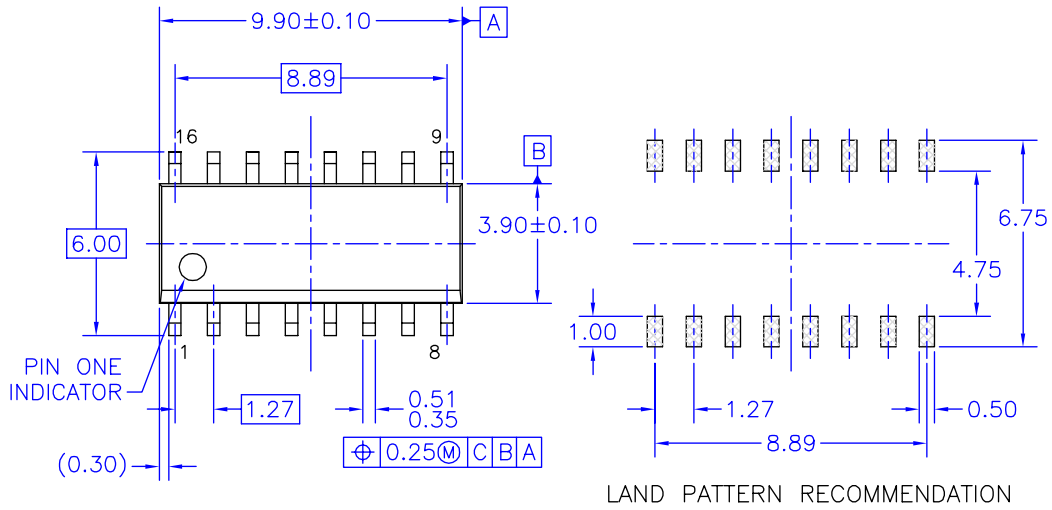
Switching Characteristics

Over recommended free air temperature range. All typical values are measured at $V_{CC} = 5V, T_A = 25^\circ C$.

| Symbol | Parameter | Input | Output | Conditions | Min. | Typ. | Max. | Units |
|-----------|---|-------|---------------------------|--|------|------|------|-------|
| f_{MAX} | Maximum Frequency | | | $V_{CC} = 4.5V \text{ to } 5.5V,$ $C_L = 50pF,$ $R_L = 500\Omega$ $T_A = \text{Min. to Max.}$ | 45 | 60 | | MHz |
| t_{PLH} | Propagation Delay Time, LOW-to-HIGH Level Output | Load | Q_H or \overline{Q}_H | | 4 | 13 | 20 | ns |
| t_{PHL} | Propagation Delay Time, HIGH-to-LOW Level Output | Load | Q_H or \overline{Q}_H | | 4 | 14 | 22 | ns |
| t_{PLH} | Propagation Delay Time, LOW-to-HIGH Level Output | CLK | Q_H or \overline{Q}_H | | 3 | 7 | 13 | ns |
| t_{PHL} | Propagation Delay Time, HIGH-to-LOW Level Output | CLK | Q_H or \overline{Q}_H | | 3 | 9 | 14 | ns |
| t_{PLH} | Propagation Delay Time, LOW-to-HIGH Level Output | H | Q_H | | 3 | 7 | 13 | ns |
| t_{PHL} | Propagation Delay Time, HIGH-to-LOW Level Output | H | Q_H | | 3 | 9 | 16 | ns |
| t_{PLH} | Propagation Delay Time, LOW-to-HIGH Level Output | H | \overline{Q}_H | | 2 | 8 | 15 | ns |
| t_{PHL} | Propagation Delay Time, HIGH-to-LOW Level Output | H | \overline{Q}_H | | 3 | 9 | 16 | ns |

Physical Dimensions

Dimensions are in millimeters unless otherwise noted.



DETAIL A
SCALE: 2:1

NOTES: UNLESS OTHERWISE SPECIFIED

- A) THIS PACKAGE CONFORMS TO JEDEC MS-012, VARIATION AC, ISSUE C, DATED MAY 1990.
- B) ALL DIMENSIONS ARE IN MILLIMETERS.
- C) DIMENSIONS DO NOT INCLUDE MOLD FLASH OR BURRS.
- D) STANDARD LEAD FINISH:
200 MICRONS / 5.08 MICRONS MIN.
LEAD/TIN (SOLDER) ON COPPER.

M16AREVK

Figure 1. 16-Lead Small Outline Integrated Circuit (SOIC), JEDEC MS-012, 0.150" Narrow Package Number M16A



TRADEMARKS

The following are registered and unregistered trademarks and service marks Fairchild Semiconductor owns or is authorized to use and is not intended to be an exhaustive list of all such trademarks

| | | | |
|-------------------------|----------------------|----------------------------|---|
| ACEx® | Green FPS™ e-Series™ | Power-SPM™ | SyncFET™ |
| Build it Now™ | GTO™ | PowerTrench® | The Power Franchise® |
| CorePLUS™ | <i>i-Lo</i> ™ | Programmable Active Droop™ |  ™ |
| CROSSVOLT™ | IntelliMAX™ | QFET® | TinyBoost™ |
| CTL™ | ISOPLANAR™ | QS™ | TinyBuck™ |
| Current Transfer Logic™ | MegaBuck™ | QT Optoelectronics™ | TinyLogic® |
| EcoSPARK® | MICROCOUPLER™ | Quiet Series™ | TINYOPTO™ |
| FACT Quiet Series™ | MicroPak™ | RapidConfigure™ | TinyPower™ |
| FACT® | Motion-SPM™ | SMART START™ | TinyPWM™ |
| FAST® | OPTOLOGIC® | SPM® | TinyWire™ |
| FastvCore™ | OPTOPLANAR® | STEALTH™ | μSerDes™ |
| FPS™ | PDP-SPM™ | SuperFET™ | UHC® |
| FRFET® | Power220® | SuperSOT™-3 | UniFET™ |
| Global Power Resource™ | Power247® | SuperSOT™-6 | VCX™ |
| Green FPS™ | POWEREDGE® | SuperSOT™-8 | |

DISCLAIMER

FAIRCHILD SEMICONDUCTOR RESERVES THE RIGHT TO MAKE CHANGES WITHOUT FURTHER NOTICE TO ANY PRODUCTS HEREIN TO IMPROVE RELIABILITY, FUNCTION, OR DESIGN. FAIRCHILD DOES NOT ASSUME ANY LIABILITY ARISING OUT OF THE APPLICATION OR USE OF ANY PRODUCT OR CIRCUIT DESCRIBED HEREIN; NEITHER DOES IT CONVEY ANY LICENSE UNDER ITS PATENT RIGHTS, NOR THE RIGHTS OF OTHERS. THESE SPECIFICATIONS DO NOT EXPAND THE TERMS OF FAIRCHILD'S WORLDWIDE TERMS AND CONDITIONS, SPECIFICALLY THE WARRANTY THEREIN, WHICH COVERS THESE PRODUCTS.

LIFE SUPPORT POLICY

FAIRCHILD'S PRODUCTS ARE NOT AUTHORIZED FOR USE AS CRITICAL COMPONENTS IN LIFE SUPPORT DEVICES OR SYSTEMS WITHOUT THE EXPRESS WRITTEN APPROVAL OF FAIRCHILD SEMICONDUCTOR CORPORATION.

As used herein:

- Life support devices or systems are devices or systems which, (a) are intended for surgical implant into the body, or (b) support or sustain life, and (c) whose failure to perform when properly used in accordance with instructions for use provided in the labeling, can be reasonably expected to result in significant injury to the user.
- A critical component is any component of a life support device or system whose failure to perform can be reasonably expected to cause the failure of the life support device or system, or to affect its safety or effectiveness.

PRODUCT STATUS DEFINITIONS

Definition of Terms

| Datasheet Identification | Product Status | Definition |
|--------------------------|------------------------|--|
| Advance Information | Formative or In Design | This datasheet contains the design specifications for product development. Specifications may change in any manner without notice. |
| Preliminary | First Production | This datasheet contains preliminary data; supplementary data will be published at a later date. Fairchild Semiconductor reserves the right to make changes at any time without notice to improve design. |
| No Identification Needed | Full Production | This datasheet contains final specifications. Fairchild Semiconductor reserves the right to make changes at any time without notice to improve design. |
| Obsolete | Not In Production | This datasheet contains specifications on a product that has been discontinued by Fairchild semiconductor. The datasheet is printed for reference information only. |

Rev. I28