



1.6×1.2mm



RoHS Compliant

**Features**

- Ultra-miniature SMD type (1.65×1.25×0.55mm)
- Freq. temp. characteristics:  
: ±2.0×10<sup>-6</sup>/ -30 to +85°C  
: ±0.5×10<sup>-6</sup>/ -30 to +85°C (for GNSS)
- 1.68 to 3.63V drive available
- Reflow compatible
- Operating Temp. -40 to +105°C (Option)
- Disable Function (Option)

**Applications**

- Mobile Communications, W-LAN
- Low power radio communications
- GNSS Unit

**How to Order**

KT1612A 26000 □ □ □ □ □ xx  
① ② ③ ④ ⑤ ⑥ ⑦ ⑧

①Series

②Output Frequency

③Freq. Temp. Chrst.

A	±0.5×10 <sup>-6</sup>
B	±1.0×10 <sup>-6</sup>
C	±1.5×10 <sup>-6</sup>
D	±2.0×10 <sup>-6</sup>

④Lower Operating Temp.

C	-30°C
E	-20°C
G	-10°C

⑤Upper Operating Temp.

W	+85°C
V	+80°C
U	+75°C

⑥Supply Voltage

18	1.8V	28	2.8V
30	3.0V	33	3.3V

⑦Voltage Control Function

T	TCXO
Spec. Code*	VCTCXO

\*Please contact us for Spec. Code.

⑧Individual Specification

Packaging (Tape & Reel 18000 pcs./ reel)

**Specifications**

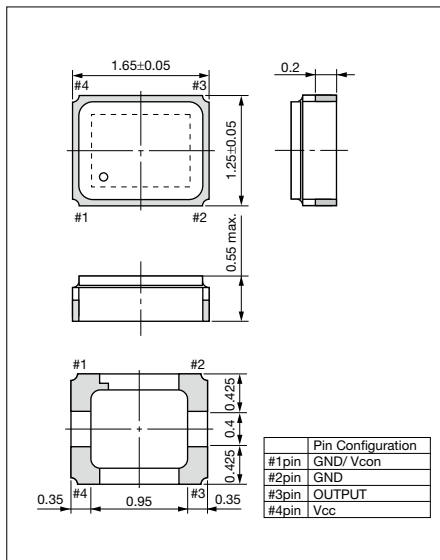
Item	Symbol	Conditions	Min.	Max.	Unit
Output Frequency Range	f <sub>o</sub>	Standard Output Frequency: 19.2, 26.0, 38.4, 48.0, 52.0, 76.8	19.2	76.8	MHz
Frequency Tolerance	f <sub>tol</sub>	vs Temperature	-0.5/ -2	+0.5/ +2	×10 <sup>-6</sup>
		vs Load	-0.2	+0.2	
		vs Voltage	-0.2	+0.2	
Frequency Aging	f <sub>age</sub>	Per Year	-1	+1	×10 <sup>-6</sup>
Storage Temperature Range	T <sub>stg</sub>		-40	+85	°C
Operating Temperature Range	T <sub>use</sub>		-30	+85	°C
Voltage Control Range	f <sub>cont</sub>	Positive	±8	±15	×10 <sup>-6</sup>
Supply Voltage	V <sub>cc</sub>		1.68	3.63	V
Output Level	V <sub>pp</sub>	Clipped Sine*, Load: 10k ohm // 10pF	0.8	—	Vp-p
Current Consumption	I <sub>cc</sub>		—	2	mA
Harmonics	—		—	-5	dBc

\*: A DC-cut capacitor is not embedded in this crystal oscillator. Connect a DC-cut capacitor (≥1nF) to the line-out terminal of the oscillator.

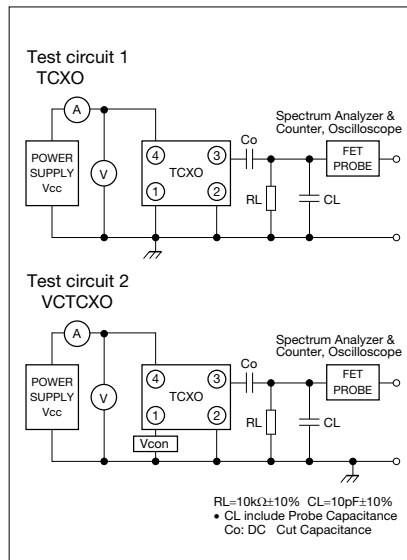
\* Please contact us for other specifications.

**Dimensions**

(Unit: mm)



**Test Circuit**



**Recommended Land Pattern**

(Unit: mm)

