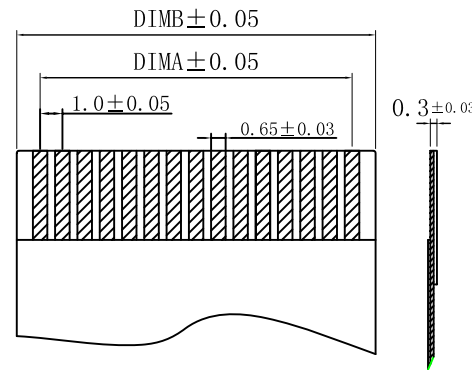
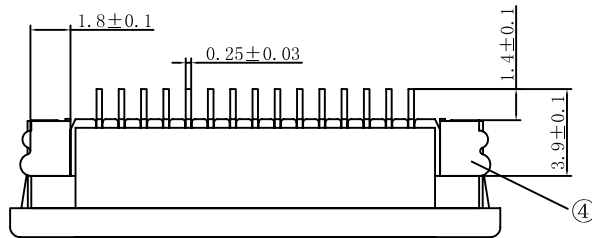
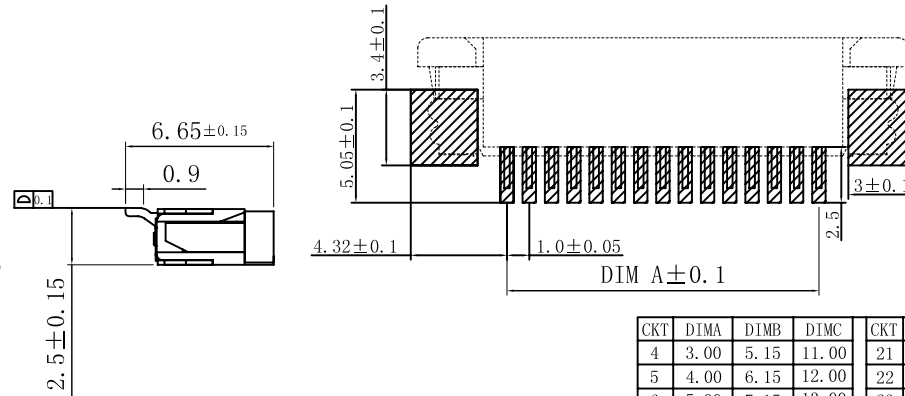
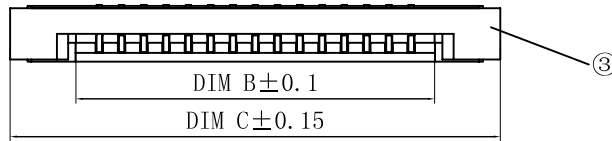
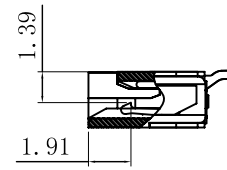
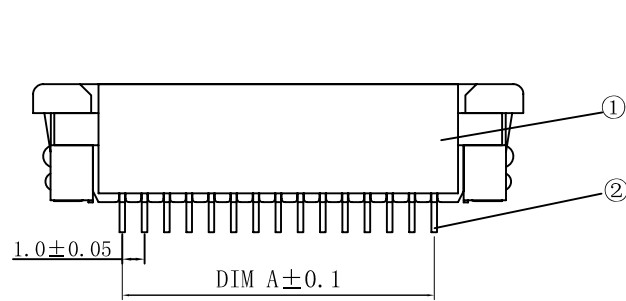


序号	品名	材质
①	1.0A胶芯	LCP UL94V-0 本色
②	1.0S上接端子	磷青铜/表面镀锡
③	1.0A后盖	LCP UL94V-0 黑色
④	1.0A焊片	黄铜/表面镀锡



CKT	DIMA	DIMB	DIMC	CKT	DIMA	DIMB	DIMC
4	3.00	5.15	11.00	21	20.00	22.15	28.00
5	4.00	6.15	12.00	22	21.00	23.15	29.00
6	5.00	7.15	13.00	23	22.00	24.15	30.00
7	6.00	8.15	14.00	24	23.00	25.15	31.00
8	7.00	9.15	15.00	25	24.00	26.15	32.00
9	8.00	10.15	16.00	26	25.00	27.15	33.00
10	9.00	11.15	17.00	27	26.00	28.15	34.00
11	10.00	12.15	18.00	28	27.00	29.15	35.00
12	11.00	13.15	19.00	29	28.00	30.15	36.00
13	12.00	14.15	20.00	30	29.00	31.15	37.00
14	13.00	15.15	21.00	31	30.00	32.15	38.00
15	14.00	16.15	22.00	32	31.00	33.15	39.00
16	15.00	17.15	23.00	33	32.00	34.15	40.00
17	16.00	18.15	24.00	34	33.00	35.15	41.00
18	17.00	19.15	25.00	35	34.00	36.15	42.00
19	18.00	20.15	26.00	36	35.00	37.15	43.00
20	19.00	21.15	27.00				

技术指标:

1. 额定电流: 0.5A。
2. 温度范围: -25~85°C
3. 额定电压: 50V, AC/DC (等效)
4. 接触电阻: ≤0.03Ω
5. 绝缘电阻: ≤500MΩ

ECN BO.		new		2015/5/3	A	瀚源
DESIGNED	CHECKED	APPROVAL	DRAWING NUMBER	DATE.	REV.	
Mikey	Tom	Jerry				SCALE: 3:1
		PART NAME		10B25LXXP	UNLESS OTHERWISE SPECIFIED, TOLERANCE:	X. ±0.25
		MODEL NAME		10B25LXXP		X.xx ±0.20
		3RD ANGLE PROJ		HanElectricity Co.,LTD		ANGULAR ±0.15
						±3°
						FILE.NO.