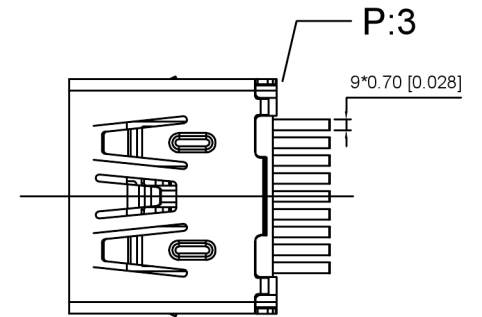
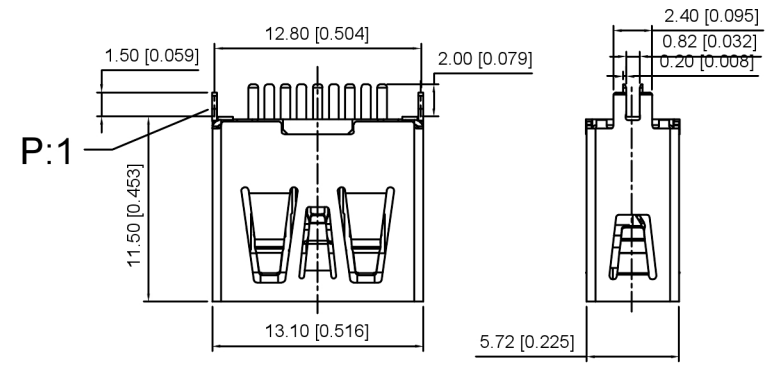
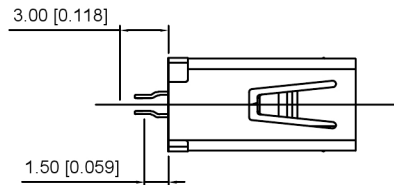
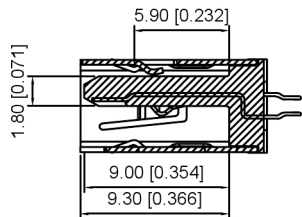
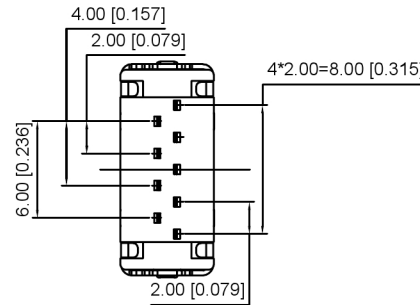
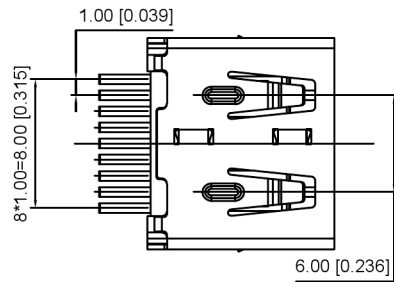
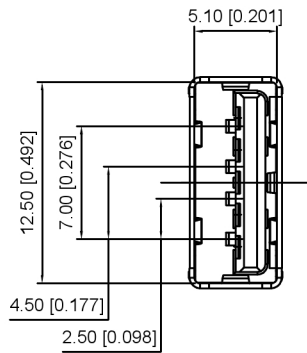
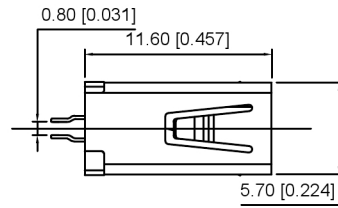


| Pin # | SIGNAL NAME | DESCRIPTION | MATING SEQUENCE |
|-------|-------------|---|-----------------|
| 1 | VBUS | POWER | SECOND |
| 2 | D- | USB 2.0 DIFFERENTIAL PAIR | THIRD |
| 3 | D+ | | |
| 4 | GND | GROUND FOR POWER RETURN | SECOND |
| 5 | StdA_SSRX- | SUPER SPEED RECEIVER DIFFERENTIAL PAIR | LAST |
| 6 | StdA_SSRX+ | | |
| 7 | GND_DRAIN | GROUND FOR SIGNAL RETURN | |
| 8 | StdA_SSTX- | SUPER SPEED TRANSMITTER DIFFERENTIAL PAIR | |
| 9 | StdA_SSTX+ | | |
| Shell | Shield | CONNECTOR METAL SHELL | FIRST |

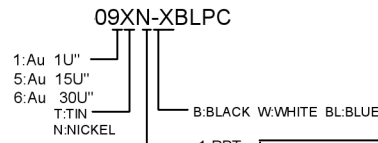


Material

Housing Material: LCP, UL94V-0, blue
Contact Terminal: Brass
Metallic Shell: Spcc
Plating
Underplating: Nickel
Contact Plating: 1μ" Gold
Solder Tail: 100μ" Min. Tin
Metallic Shell: Nickel

Electrical

Voltage Rating: 100 V AC
Current Rating: 0.25A (Signal pins 2,3,5,6,7,8,9) 1.8A (Power Pins 1,4)
Contact Resistance: 30mΩ Max.
Insulation resistance: 1000MΩ Min.
Dielectric withstanding voltage: 100V AC/Minute
Mechanical
Durability: 1500 cycles
Mating Force: 35N (3.57Kgf) Max
Unmating Force: 10N (1.02Kgf) Min. initial, 8N min after test
Environmental and Processing
Operating Temperature: -40°C to +85°C



| ECN BO. | | DESCRIPTION. | | DATE. | REV. | 瀚源 |
|----------|---------|--------------|----------------|------------------------|---------------------------------------|--|
| DESIGNED | CHECKED | APPROVAL | DRAWING NUMBER | | SCALT: 1/2 | |
| Mikey | Tom | Jerry | PART NAME | 09XN-XBLPCXX | UNLESS OTHERWISE SPECIFIED,TOLERANCE: | X. ±0.25 X.x ±0.20 X.xx ±0.15 ANGULAR ±3° |
| | | | MODEL NAME | 09XN-XBLPCXX | | |
| | | | 3RD ANGLE PROJ | HanElectricity Co.,LTD | | FILE.NO. |