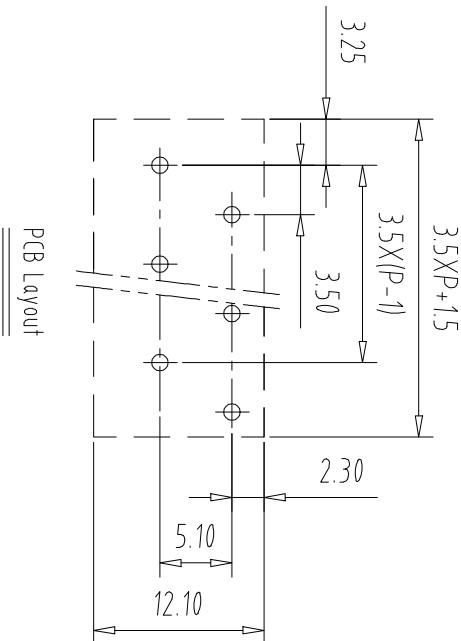
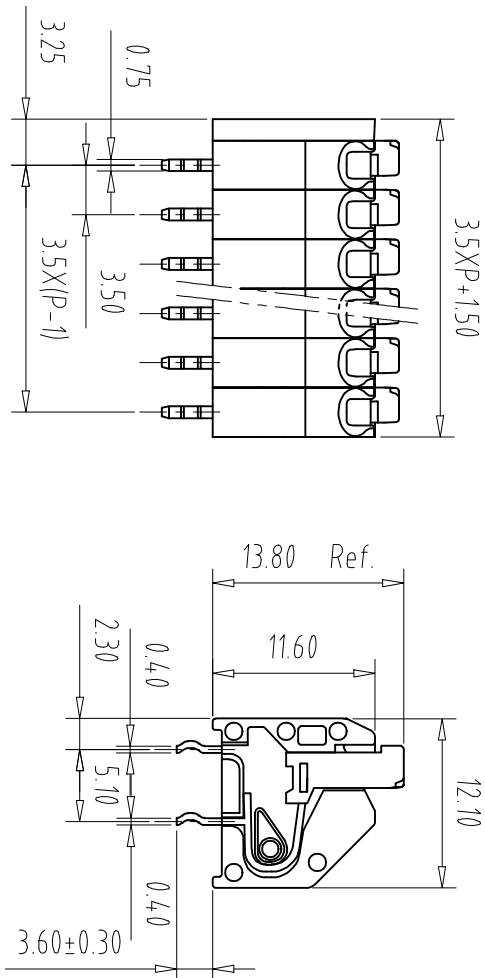


注：本板为禁止传输、复制、编辑文件，以及用其内容进行建设性交流

| REV | ECN NO. | CONTENT | CHK | DATE |
|-----|---------|---------|-----|------|
| | | | | |



| Pitch | Range | In mm | Nominal Dimension | Range | In mm | Over | 150 | 100 | 60 | 30 | TO | 24 | 10 | 6 | TO |
|-------|-------|-------|-------------------|-------|-------|-------|-------|-----|----|----|----|----|----|---|----|
| ±0.15 | ±0.20 | ±0.30 | ±0.30 | ±0.50 | ±0.70 | ±1.00 | ±1.30 | ±2° | | | | | | | |

NOTES1:
 UL Standard
 1.Rating voltage/current: 300V/8A
 2.withstanding voltage: AC2000V/1Min
 3.Wire range: 22~16AWG
 IEC Standard
 1.Rating voltage/current: 400V/8A
 2.Wire range: 1.5mm²

NOTES2:
 1.Housing: PA66 (UL94V-0)
 2.Pin header: Hosphor bronze(Tin plate)

NOTES3:
 1.Pitch: 3.5mm Poles: 01-XXX
 2.Stripping length: 9mm
 3.Operating temperature: -40℃~+105℃
 4.RoHS Compliance

How to order
 MX250 - 35 - XXP - B - XXXX - XX - X
 产品型号 间距 板数 出针顺序 颜色
 灰色:GY 橙色:OE 01:常规颜色
 蓝色:BU 红色:RD 02-99:定制颜色
 黑色:BK 透明色:TT
 绿色:GN 黄色:YW
 透明色:TT 白色:WE
 A-其他定制
 Cu铜
 Fe铁

| ITEM | NAME OF PART | NO. OF PART | Q'TY | MATERIAL | NOTE |
|------|--------------|-------------|-------|----------------|------|
| DWG | CHK | DATE | SCALE | SHEET/OF | 1/1 |
| APP | DATE | SCALE | NAME | MX250-35-XXP-B | |

CXI MAIXU ELECTRONICS CO., LTD.
 慈溪市迈旭电子有限公司
 DWGNO.