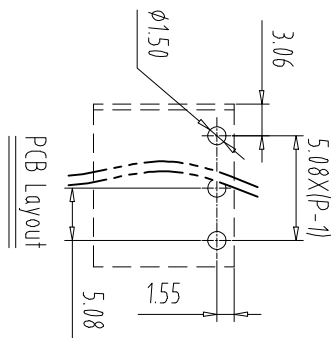
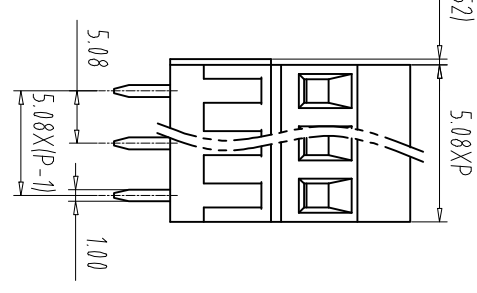
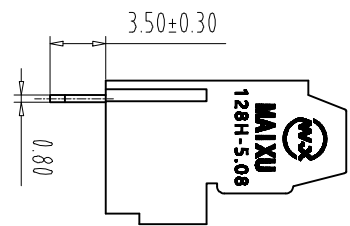
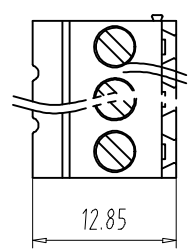


注：本板为禁止运输、复制、翻印文件，以及用其内容进行交流

REV	ECN NO.	CONTENT	CHK	DATE



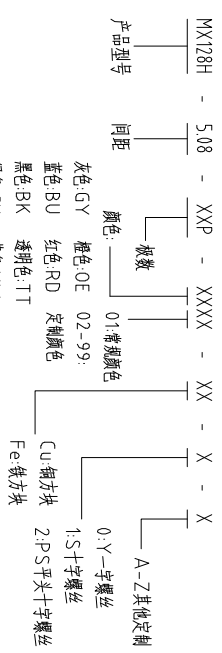
- NOTES1:
UL Standard
1.Rating voltage/current: 300V//20A
2.withstanding voltage: AC1600V//1min
3.Torque value: M2.5, 3.54LbIn
4.Wire range: 28~12AWG
- IEC Standard

Pollution Degree	3	2	2
Overvoltage Category	III	III	II
Rate Impulse Voltage(KV)	4.0	4.0	4.0
Rate Voltage(V)	250V	400V	630V
Rate Current(A)	17.5A	17.5A	17.5A

- NOTES2:
1.Housing: PA66(UL94V-0)
2.Solder Pin: Copper alloy(Sn Plated)
3.Cage: Brass(Ni Plated)
4.Screw: Steel(M2.5,Zn Plated)

- NOTES3:
1.Pitch: 5.08mm Poles: 02-24P
2.Stripping length: 6-7mm
3.Operating temperature: -40℃~+105℃
4.RoHS Compliance

How to order



Pitch Range In mm	Nominal Dimension Range					
	In mm	Over	TO	Over	TO	Over
6	10	24	30	60	100	150
10	24	30	60	100	150	150

ITEM	NAME OF PART	NO. OF PART	Q'TY	MATERIAL	NOTE
DWG	CHK	DATE	SCALE	SHEET/OF	1/1
APP	DATE	SCALE	NAME		
CIXI MAIXU ELECTRONICS CO.,LTD			MX128H-5.08-XXP		
慈溪市迈旭电子有限公司			DWGNO.		