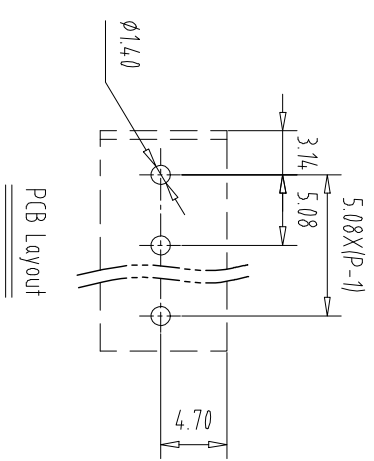
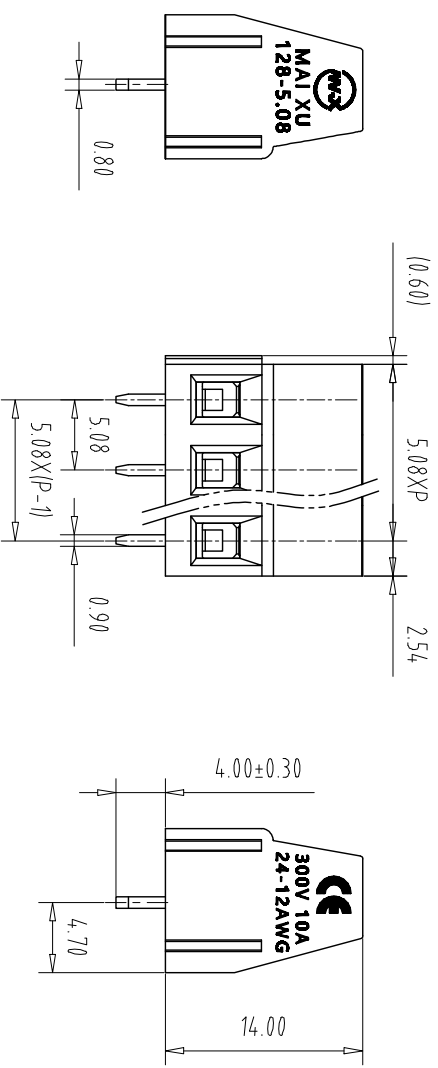
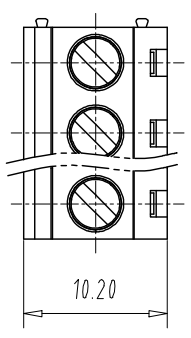


注：本板为禁止运输、复制、编辑文件，以及用其内容进行交流



REV	ECN NO.	CONTENT	CHK	DATE

NOTES1:
UL Standard
1.Rating voltage/current: 300V//10A
2.withstanding voltage: AC2000V//1Min
3.Torque value: M2.5, 3.54LbIn
4.Wire range: 24~12AWG

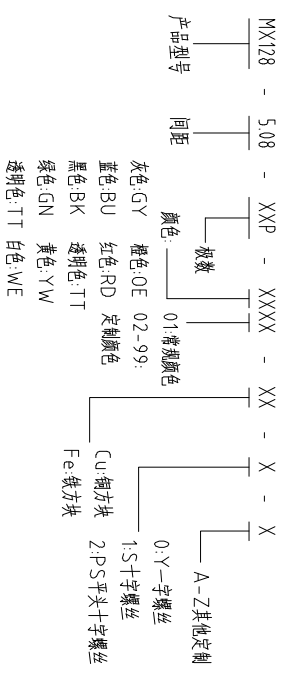
IEC Standard

Pollution Degree	3	2	2
Overvoltage Category	III	II	II
Rate Impulse Voltage(KV)	4	4	4
Rate Voltage(V)	250V	400V	630V
Rate Current(A)	15A	15A	15A

NOTES2:
1.Housing: PA66(UL94V-0)
2.Solder Pin: Copper alloy(Sn Plated)
3.Cage: Brass(Ni Plated)
4.Screw: Steel(M2.5,Zn Plated)

NOTES3:
1.Pitch: 5.08mm Poles: 02-24P
2.Stripping length: 6-7mm
3.Operating temperature: -40℃~+105℃
4.RoHS Compliance

How to order
MX128 - 508 - XXP - XXXX - XX - X - X



Pitch	Range	In	Nominal Dimension	Range	mm	mm	mm	mm	mm	mm	mm	mm	mm	mm	mm	mm	mm
Over	6	10	24	30	60	100	150	150	0.1/10	0.15	±0.20	±0.30	±0.30	±0.50	±0.70	±1.00	±1.30
TO	6	10	24	30	60	100	150	150	0.1/10	±0.15	±0.20	±0.30	±0.30	±0.50	±0.70	±1.00	±1.30

ITEM	NAME OF PART	NO. OF PART	Q'TY	MATERIAL	NOTE
DWG	CHK	DATE	SCALE	SHEET/OF	1/1
APP	DATE	DATE	SCALE	A4	1/1
NAME				MX128-5.08-XXP	

CIXI MAIXU ELECTRONICS CO.,LTD
慈溪市迈旭电子有限公司

DWGNO.