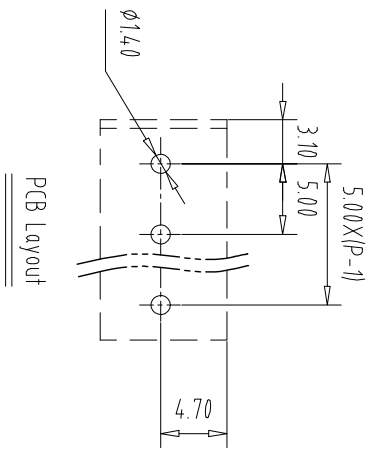
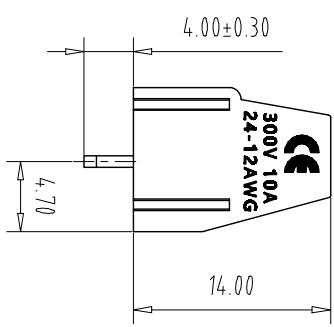
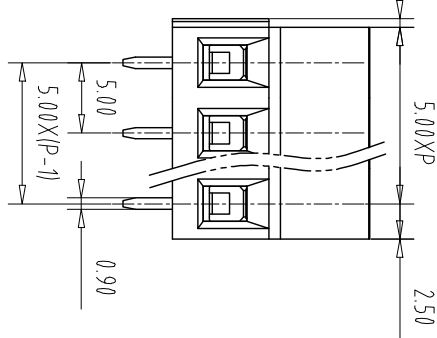
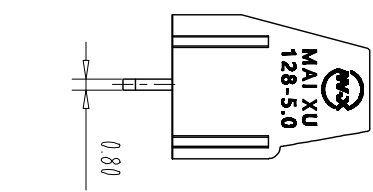
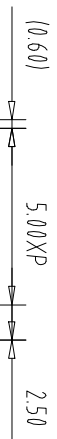
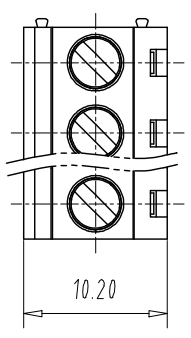


注：本板为禁止运输、复制、编辑文件，以及用其内容进行交流

REV	ECN NO.	CONTENT	CHK	DATE
-----	---------	---------	-----	------



- NOTES1:  
UL Standard  
1.Rating voltage/current: 300V//10A  
2.withstanding voltage: AC2000V//1Min  
3.Torque value: M2.5, 3.54Lb.in  
4.Wire range: 24~12AWG
- IEC Standard

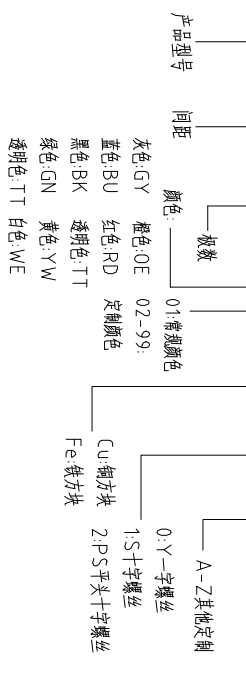
1. Pollution Degree	3	2	2
Overvoltage Category	III	III	II
Rate Impulse Voltage(kV)	/	/	/
Rate Voltage(V)	/	250V	/
Rate Current(A)	/	15A	/

- NOTES2:  
1.Housing: PA66(UL94V-0)  
2.Solder Pin: Copper alloy(Sn Plated)  
3.Cage: Brass(Ni Plated)  
4.Screw: Steel(M2.5,Zn Plated)

- NOTES3:  
1.Pitch: 5.0mm Poles: 02-24P  
2.Stripping length: 6-7mm  
3.Operating temperature: -40℃~+105℃  
4.RoHS Compliance

How to order

MX128 - 5.0 - XXP - XXXX - XX - X - X



Pitch	Range	In	Nominal Dimension	Range		
mm	Over	In	mm	Over	Over	Over
	6	10	30	60	100	150
	TO	TO	TO	TO	TO	TO
	6	10	24	30	60	100
	±0.15	±0.20	±0.30	±0.30	±0.50	±0.70
						±1.00
						±1.30
						±2°

ITEM	NAME OF PART	NO. OF PART	Q'TY	MATERIAL	NOTE
DWG	CHK	DATE	UNITS	MM	SHEET/OF
APP	DATE	SCALE	1:1	A4	1/1
CIXI MAIXU ELECTRONICS CO.,LTD			NAME		
MAIXU 慈溪市迈旭电子有限公司			MX128-5.0-XXP		
DWGNO.					