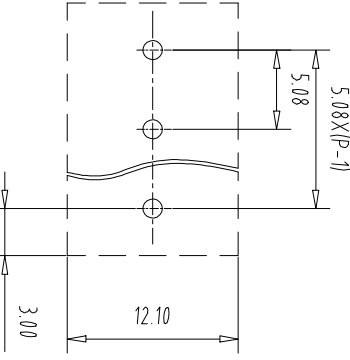
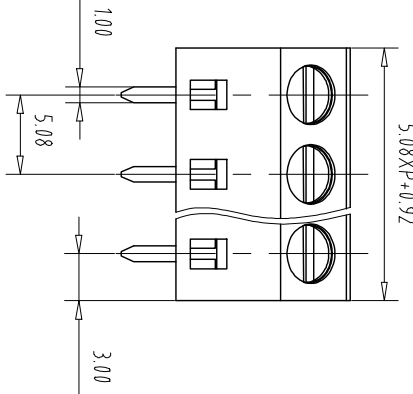
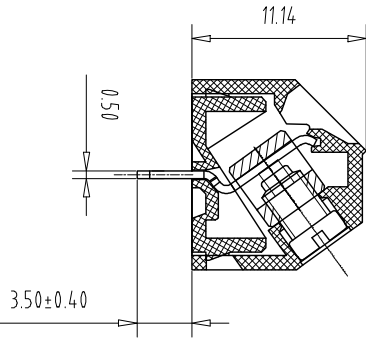
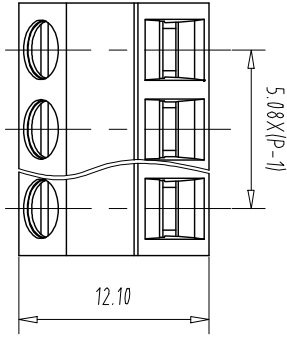


注: 本板为禁止运输、复制、翻印文件, 以及用其内容进行交流

REV	ECN NO.	CONTENT	CHK	DATE
-----	---------	---------	-----	------



Pitch Range	In mm	Nominal Dimension	Range
Over 6	Over 10	Over 30	Over 60
TO 6	TO 10	TO 30	TO 60
Over 10	Over 24	Over 60	Over 100
TO 10	TO 24	TO 60	TO 100
Over 150	Over 150	Over 150	Over 150

±0.15	±0.20	±0.30	±0.30	±0.50	±0.70	±1.00	±1.30	±2*
0.1/10	0.1/10	0.1/10	0.1/10	0.1/10	0.1/10	0.1/10	0.1/10	0.1/10

NOTES 1:

- UL Standard
- | Use group     | B    | C | D    |
|---------------|------|---|------|
| Rated Current | 15A  | / | 10A  |
| Rated Voltage | 300V | / | 300V |
- 2 withstanding voltage: AC1600V/1min  
 3 Torque value: M3, 4, 4.3Lb.in  
 4. Wire range: 26~14AWG

IEC Standard

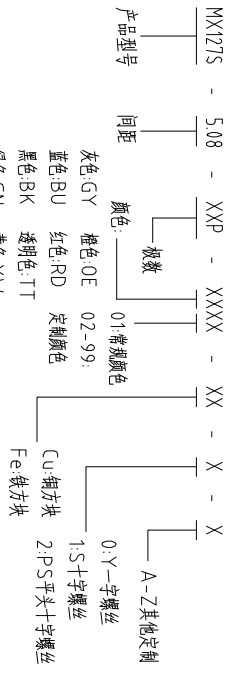
Pollution Degree	3	2	2
Overvoltage Category	III	III	II
Rate Impulse Voltage(kV)	4	4	4
Rate Voltage(V)	250V	400V	630V
Rate Current(A)	17.5A	17.5A	17.5A

- NOTES 2:
- 1.Housing: PA66(UL94V-0)
  - 2.Cage: Brass(Ni Plated)
  - 3.Solder Pin: Copper alloy(Sn Plated)
  - 4.Screw: Steel(M3,Zn Plated)

NOTES 3:

- 1.Pitch: 5.08mm Poles: 02-24P
- 2.Stripping length: 6-7mm
- 3.Operating temperature: -40°C~+105°C
- 4.RoHS Compliance

How to order



ITEM	NAME OF PART	NO. OF PART	Q'TY	MATERIAL	NOTE
DWG	CHK	DATE	SCALE	SHEET/OF	1/1
APP	DATE	SCALE	A4		
CIXI MAIXU ELECTRONICS CO.,LTD			MX127S-5.08-XXP		
慈溪市迈旭电子有限公司			DWGNO.		