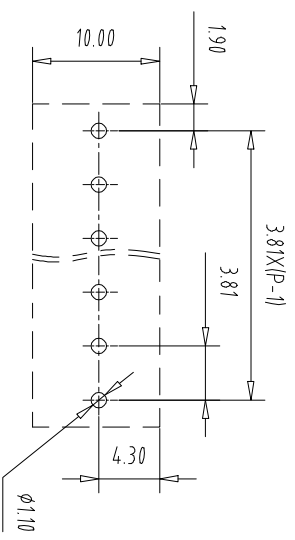
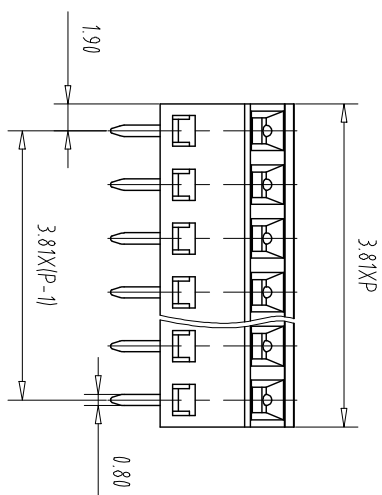
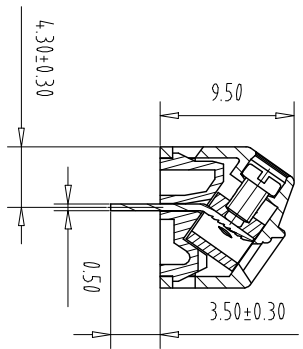
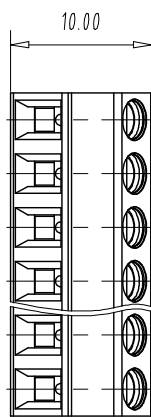


注: 本板为禁止传输、复制、编辑文档, 以及用其内容进行交流



PGB Layout

Pitch	Range	In	Nominal Dimension	Range
mm	Over 6	Over 10	Over 30	Over 60
	TO 6	TO 10	TO 30	TO 60
	TO 10	TO 24	TO 60	TO 100
	TO 24	TO 30	TO 100	TO 150
	±0.15	±0.20	±0.30	±0.50
			±0.70	±1.00
				±1.30

REV	ECN NO.	CONTENT	CHK	DATE

NOTES 1:
UL Standard

- Use group: B, C, D
- Rated Current: 10A, 10A, 10A
- Rated Voltage: 300V, 300V, 300V
- withstanding voltage: AC1600V/1Min
- Torque value: M2, 1.77Lb.in
- Wire range: 26~16AWG

IEC Standard

Pollution Degree	3	2	2
Overvoltage Category	III	III	II
Rate Impulse Voltage(KV)	2.5	2.5	2.5
Rate Voltage(V)	160V	200V	400V
Rate Current(A)	10A	10A	10A

- Torque value: M2, 0.2Nm
- wire range: 0.2-1.5mm²

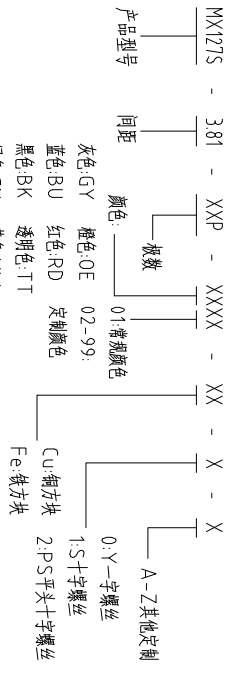
NOTES 2:

- Housing: PA66(UL94V-0)
- Cage: Brass(Ni Plated)
- Solder Pin: Copper alloy(Sn Plated)
- Screw: Steel(M2, Zn Plated)

NOTES 3:

- Pitch: 3.81mm Poles: 02-24P
- Stripping length: 5mm
- Operating temperature: -40°C~+105°C
- RoHS Compliance

How to order



ITEM	NAME OF PART	NO OF PART	Q'TY	MATERIAL	NOTE
DWG	CHK	DATE	DATE	MM	SHEET/OF 1/1
APP	DATE	SCALE	1:1	A4	1/1
CIXI MAIXU ELECTRONICS CO.,LTD			NAME MX127S-3.81-XXP		
慈溪市迈旭电子有限公司			DWGNO.		