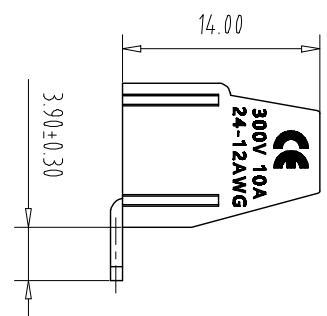
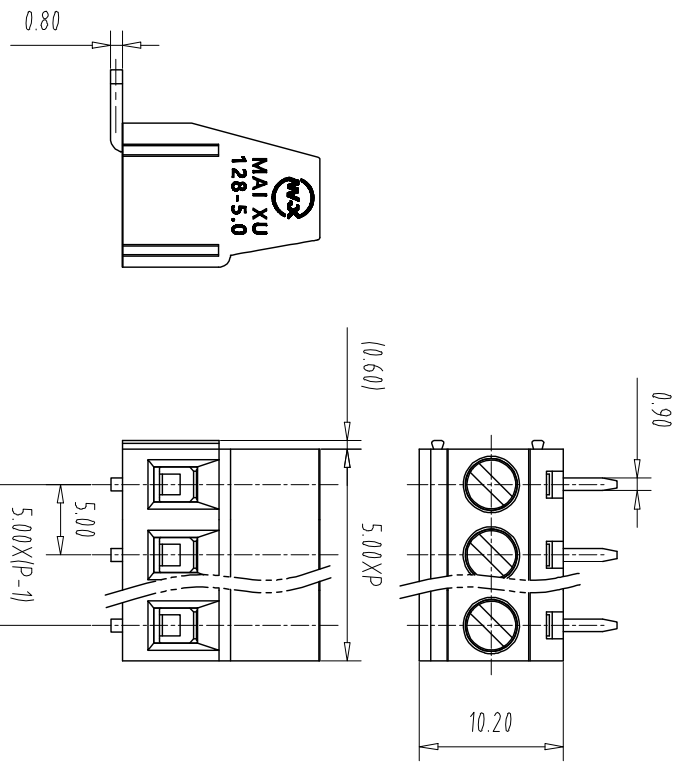


注：本板为禁止运输、复制、翻印文件，以及用其内容进行交易



NOTES1:
UL Standard
1.Rating voltage/current: 300V//10A
2.withstanding voltage: AC2000V//1Min
3.Torque value: M2.5, 3.54Lb.in
4.Wire range: 24~12AWG

IEC Standard

1. Pollution Degree	3	2	2
Overvoltage Category	III	III	II
Rate Impulse Voltage(kV)	/	/	/
Rate Voltage(V)	/	250V	/
Rate Current(A)	/	15A	/

2. Torque value: M2.5, 0.4Nm
3.wire range: 1.0-2.5mm²

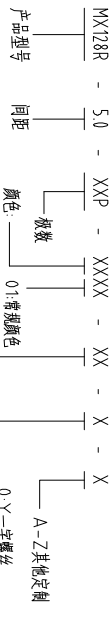
NOTES2:

- Housing: PA66(UL94V-0)
- Solder Pin: Copper alloy(Sn Plated)
- Cage: Brass(Ni Plated)
- Screw: Steel(M2.5,Zn Plated)

NOTES3:

- Pitch: 5.0mm Poles: 02-24P
- Stripping length: 6-7mm
- Operating temperature: -40℃~+105℃
- RoHS Compliance

How to order



Pitch Range In mm

Over	Nominal Dimension	Range
6	In mm	
TO	6	TO
TO	10	TO
TO	24	TO
TO	30	TO
TO	60	TO
TO	100	TO
TO	150	TO

Nominal Dimension Range

Over	Range
150	Over
0.1/10	Over

Range

Over	Range
±0.15	±0.20
±0.30	±0.30
±0.50	±0.50
±0.70	±1.00
±1.30	±1.30
±2°	±2°

REV	ECN NO.	CONTENT	CHK	DATE
-----	---------	---------	-----	------

ITEM	NAME OF PART	NO. OF PART	Q'TY	MATERIAL	NOTE
DWG	CHK	DATE	UNITS	SHEET/OF	1/1
APP	DATE	SCALE	1:1	A4	1/1
CXI MAIXU ELECTRONICS CO.,LTD 慈溪市迈旭电子有限公司					
DWGNO.					