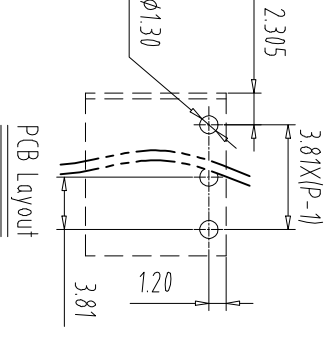
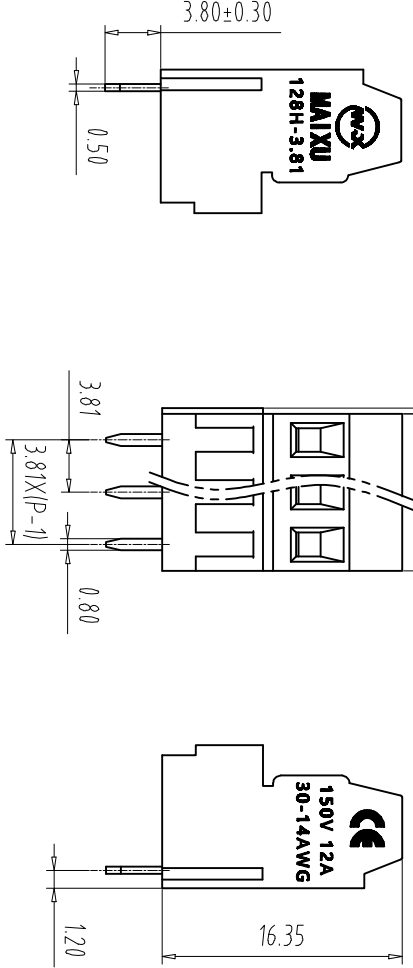
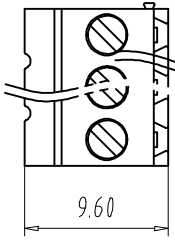


注：本板为禁止运输、复制、翻印文件，以及用其内容进行交流



| REV | ECN NO. | CONTENT | CHK | DATE |
|-----|---------|---------|-----|------|
| | | | | |

NOTES1:
 UL Standard
 1.Rating voltage/current: 150V/12A
 2.withstanding voltage: AC1600V/1Min
 3.Torque value: M2, 1.77Lb.in
 4.Wire range: 30~14AWG

IEC Standard

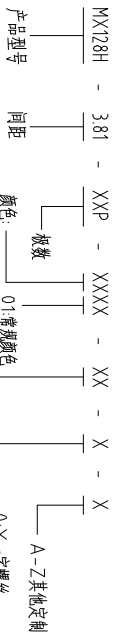
| Pollution Degree | 3 | 2 | 2 |
|--------------------------|------|------|------|
| Overvoltage Category | III | II | II |
| Rate Impulse Voltage(KV) | 2.5 | 2.5 | 2.5 |
| Rate Voltage(V) | 160V | 200V | 400V |
| Rate Current(A) | 10A | 10A | 10A |

NOTES2:
 1.Housing: PA66(UL94V-0)
 2.Solder Pin: Copper alloy(Sn Plated)
 3.Cage: Brass(Ni Plated)
 4.Screw: Steel(M2,Zn Plated)

NOTES3:

- Pitch: 3.81mm Poles: 02-24P
- Striping length: 5-6mm
- Operating temperature: -40℃~+105℃
- RoHS Compliance

How to order



| Pitch Range | In mm | Nominal Dimension | Range | mm |
|-------------|---------|-------------------|---------|----------|
| Over 6 | Over 10 | Over 30 | Over 60 | Over 100 |
| TO 6 | TO 10 | TO 24 | TO 30 | TO 60 |
| ±0.15 | ±0.20 | ±0.30 | ±0.50 | ±0.70 |
| | | | ±1.00 | ±1.30 |
| | | | | ±2° |

| ITEM | NAME OF PART | NO. OF PART | Q'TY | MATERIAL | NOTE |
|------|--------------|-----------------|-------|----------|--------------|
| DWG | CHK | DATE | UNITS | MM | SHEET/OF 1/1 |
| APP | DATE | SCALE | SCALE | 1:1 | A4 |
| | | NAME | | | |
| | | MX128H-3.81-XXP | | | |
| | | DWGNO. | | | |

CIXI MAIXU ELECTRONICS CO.,LTD
 慈溪市迈旭电子有限公司