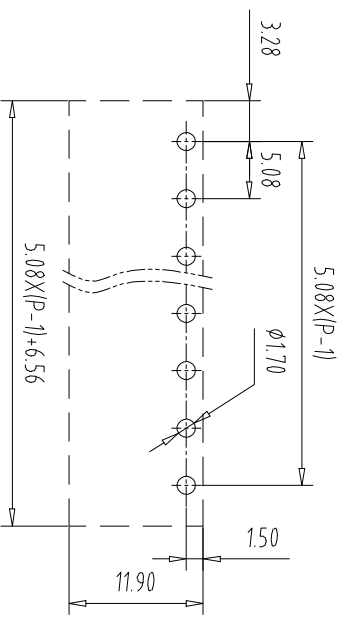
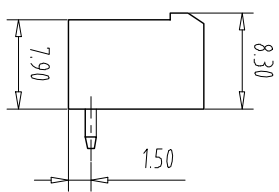
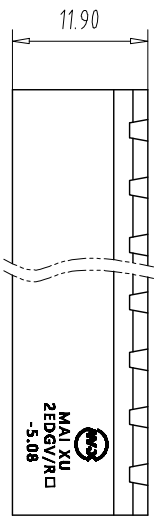
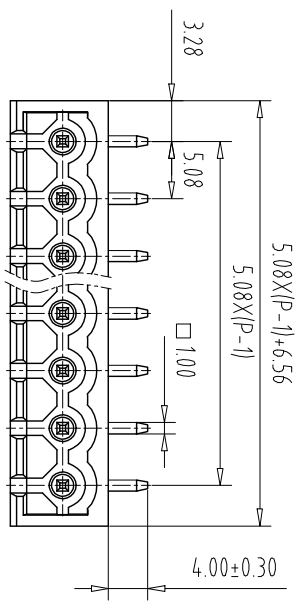


注: 本板为禁止传输、复制、编辑或存档, 以及用其内容进行复制或传播



REV	ECN NO.	CONTENT	CHK	DATE

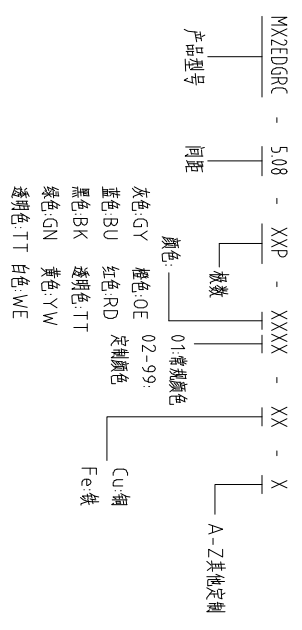
NOTES1:
 UL Standard
 1.Rating voltage/current: 300V/15A
 2.withstanding voltage: AC2000V/1Min
 IEC Standard

1.	2.
Pollution Degree	III
Overvoltage Category	4.0kV
Rate Impulse Voltage(kV)	320V
Rate Voltage(V)	15A
Rate Current(A)	

NOTES2:
 1.Housing: PA66 (UL94V-0)
 2.Solder Pin: Brass (Sn Plated)

NOTES3:
 1.Pitch: 5.08mm Poles: 02-24P
 2.Operating temperature: -40°C~+105°C
 3.RoHS Compliance

How to order



Pitch Range In mm	Nominal Dimension In mm	Range	Symbol
Over 6 TO	Over 10 TO	Over 30 TO	0.1/10
Over 10 TO	Over 24 TO	Over 60 TO	
Over 24 TO	Over 30 TO	Over 60 TO	±
Over 30 TO	Over 60 TO	Over 100 TO	
Over 60 TO	Over 100 TO	Over 150 TO	±2°
Over 100 TO	Over 150 TO	Over 150 TO	

ITEM	NAME OF PART	NO. OF PART	Q'TY	MATERIAL	NOTE
DWG	CHK	DATE	UNITS	MM	1/1
CHK	DATE	SCALE	SCALE	A4	1/1
APP	DATE	NAME			

MX2EDGRC-5.08-XXP

MAI XU 慈溪市迈旭电子有限公司 DWGNO.