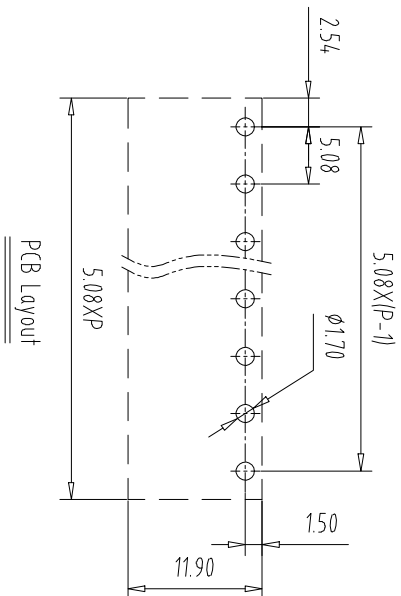
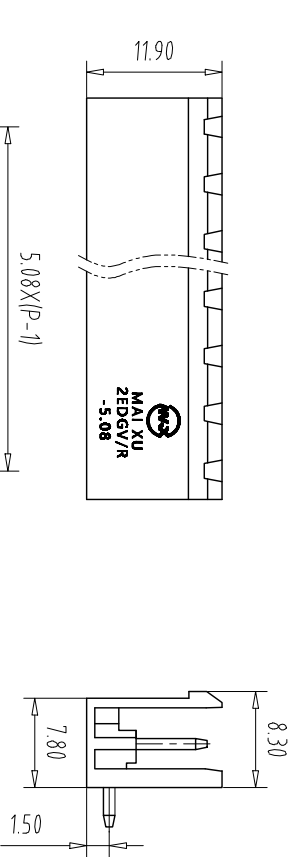
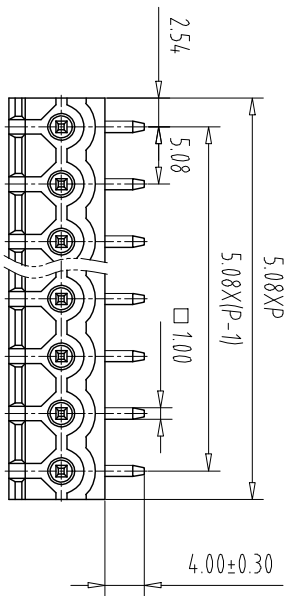


注: 本板为禁止传输、复制、编辑或存档, 以及用其内容进行交流



REV	ECN NO.	CONTENT	CHK	DATE

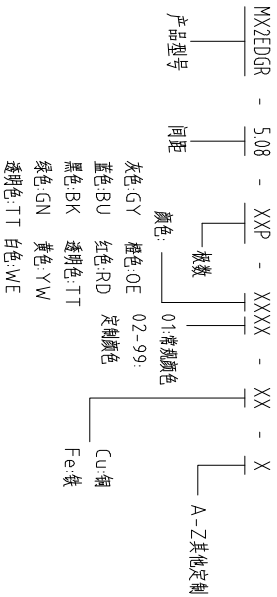
NOTES1:
 UL Standard
 1.Rating voltage/current: 300V/15A
 2.withstanding voltage: AC2000V/1Min
 IEC Standard

Pollution Degree	2
Overvoltage Category	III
Rate Impulse Voltage(KV)	4.0KV
Rate Voltage(V)	320V
Rate Current(A)	15A

NOTES2:
 1.Housing: PA66 (UL94V-0)
 2.Solder Pin: Brass (Sn Plated)

NOTES3:
 1.Pitch: 5.08mm Poles: 02-24P
 2.Operating temperature: -40°C~+105°C
 3.RoHS Compliance

How to order



Pitch Range In Nominal Dimension Range

mm	Over	In mm	Over	Nominal Dimension Range	Over	mm	Over	mm
6	TO	6	TO	30	TO	30	TO	150
10	TO	10	TO	60	TO	60	TO	150
24	TO	24	TO	100	TO	100	TO	150
±0.15	±0.20	±0.30	±0.30	±0.50	±0.70	±1.00	±1.30	±2°

ITEM	NAME OF PART	NO. OF PART	Q'TY	MATERIAL	NOTE
DWG	CHK	DATE	UNITS	MM	SHEET/OF
APP	DATE	SCALE	1:1	A4	1/1
NAME	DATE	SCALE	1:1	A4	1/1
NAME	DATE	SCALE	1:1	A4	1/1

CIXI MAIXU ELECTRONICS CO.,LTD
 慈溪市迈旭电子有限公司

DWGNO.

MX2EDGR-5.08-XXP