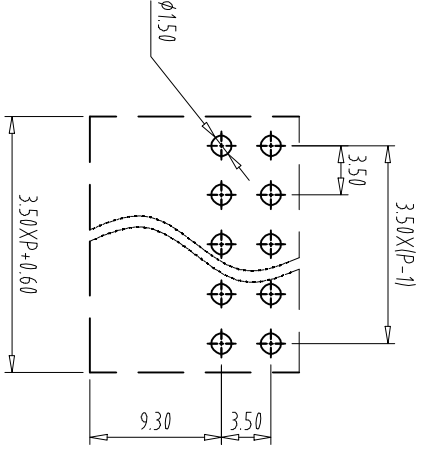
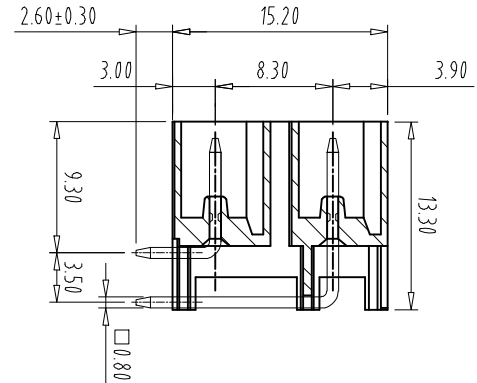
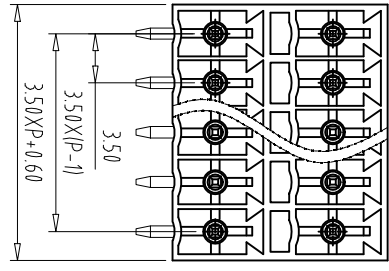


注：本板为禁止传输、复制、编辑、修改、以及利用其内容建立数据库

REV	ECN NO.	CONTENT	CHK	DATE
-----	---------	---------	-----	------



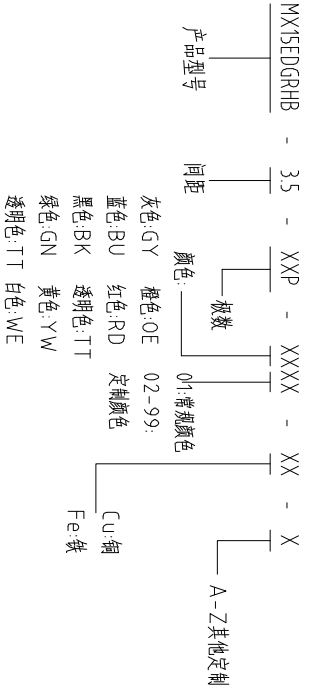
PCB Layout

NOTES1:  
 1.Rating voltage/current: 300V/8A  
 2.withstanding voltage: AC2500V/1Min  
 3.Soldering temperature: +250℃,5seconds Max.

NOTES2:  
 1.Housing: Polyamide(Glass filled) (UL94V-0)  
 2.Solder Pin: Copper Alloy (Sn Plated)

NOTES3:  
 1.Pitch: 3.5mm Poles: 02-24P  
 2.Operating temperature: -40℃~+105℃  
 3.RoHS Compliance

How to order



Pitch Range In mm	Nominal Dimension In mm	Over 6 TO	Over 10 TO	Over 24 TO	Over 30 TO	Over 60 TO	Over 100 TO	Over 150 TO	Over 150 TO	Over 150 TO	Over 150 TO	Over 150 TO
±0.15	±0.20	±0.30	±0.30	±0.30	±0.50	±0.70	±1.00	±1.30	±2°	0.1/10	∠	∠

ITEM	NAME OF PART	NO. OF PART	Q'TY	MATERIAL	NOTE
DWG	CHK	DATE	UNITS	MM	1/1
APP	DATE	SCALE	SCALE	A4	1/1
CIXI MAIXU ELECTRONICS CO.,LTD				NAME	MX15EDGRHB-3.5-XXP
慈溪市迈旭电子有限公司				DWGNO.	