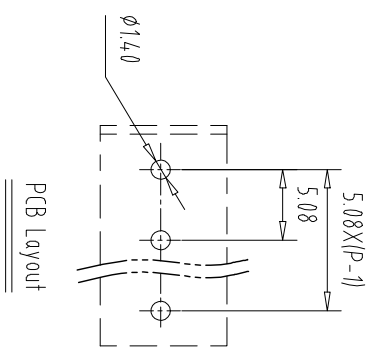
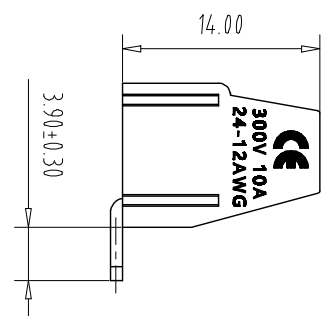
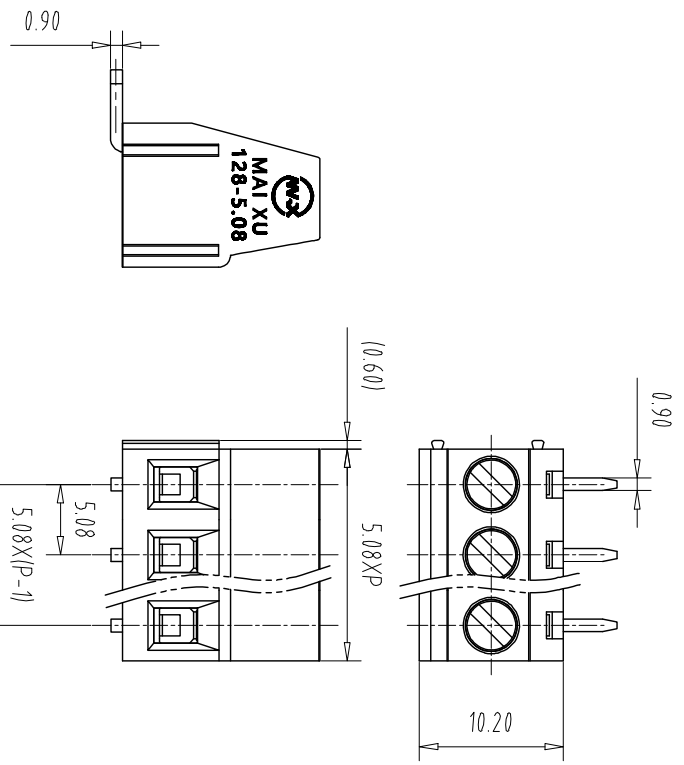


注：本板为禁止传输、复制、编辑文件，以及用其内容进行交流



REV	ECN NO.	CONTENT	CHK	DATE

- NOTES1:
- UL Standard
- 1.Rating voltage/current: 300V//10A
  - 2.withstanding voltage: AC2000V//1Min
  - 3.Torque value: M2.5, 3.54LbIn
  - 4.Wire range: 24~12AWG
- IEC Standard

Pollution Degree	3	2	2
Overvoltage Category	III	III	II
Rate Impulse Voltage(KV)	/	/	/
Rate Voltage(V)	/	250V	/
Rate Current(A)	/	15A	/

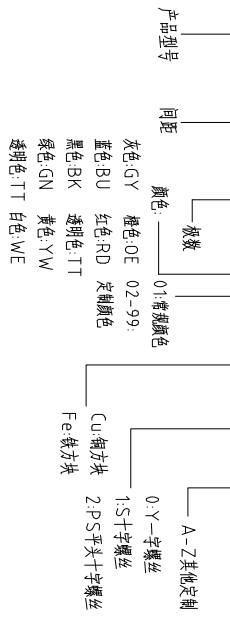
2. Torque value: M2.5, 0.4Nm
- 3.wire range: 10~2.5mm<sup>2</sup>

- NOTES2:
- 1.Housing: PA66(UL94V-0)
  - 2.Solder Pin: Copper alloy(Sn Plated)
  - 3.Cage: Brass(Ni Plated)
  - 4.Screw: Steel(M2.5,Zn Plated)

- NOTES3:
- 1.Pitch: 5.08mm Poles: 02-24P
  - 2.Stripping length: 6-7mm
  - 3.Operating temperature: -40℃~+105℃
  - 4.RoHS Compliance

How to order

MX128R - 5.08 - XXP - XXXX - XX - X - X



Pitch	Range	In	Nominal Dimension	Range
mm	Over	In mm	Over	Over
	6	10	30	60
	TO	TO	TO	TO
	10	24	60	100
	TO	TO	TO	TO
	6	10	30	60
	TO	TO	TO	TO
	10	24	60	100
	TO	TO	TO	TO
	±0.15	±0.20	±0.30	±0.50
	±0.20	±0.30	±0.50	±0.70
	±0.30	±0.50	±0.70	±1.00
	±0.50	±0.70	±1.00	±1.30
	±0.70	±1.00	±1.30	±2°

ITEM	NAME OF PART	NO. OF PART	Q'TY	MATERIAL	NOTE
DWG	CHK	DATE	UNITS	MM	SHEET/OF
		22.09.14			1/1
APP	DATE		SCALE	A4	
			NAME	MX128R-5.08-XXP	

MAI XU 慈溪市迈旭电子有限公司

CIXI MAIXU ELECTRONICS CO.,LTD