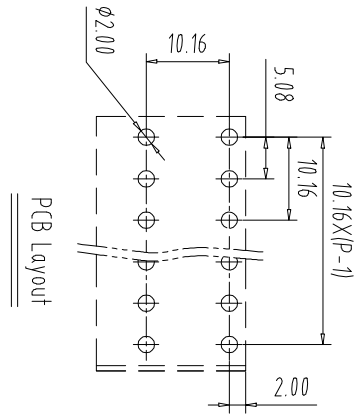
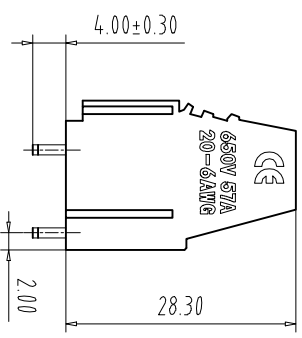
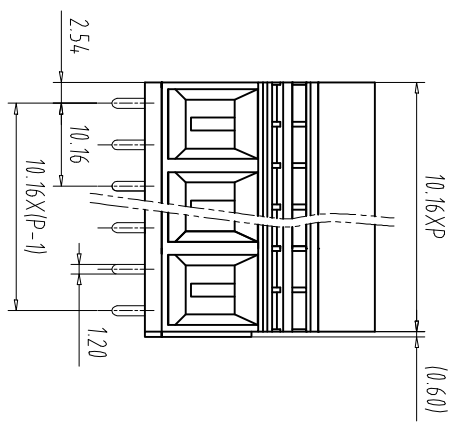
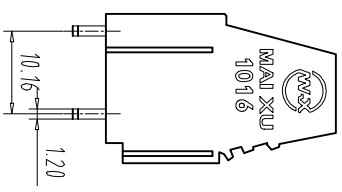
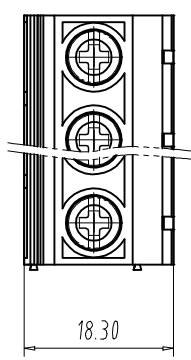


注：本板为禁止传输、复制、编辑文件，以及利用其内容进行交流

REV	ECN NO.	CONTENT	CHK	DATE



NOTES1:  
UL Standard

- 1.Rating voltage/current: 650V/57A
- 2.withstanding voltage: AC1600V/1Min
- 3.Torque value: M4, 10.53Lb.in
- 4.Wire range: 20~6AWG

IEC Standard

1. Pollution Degree	3	2	2
Overvoltage Category	III	III	II
Rate Impulse Voltage(kV)	/	/	/
Rate Voltage(V)	/	630V	/
Rate Current(A)	/	57A	/

2. Torque value: M4, 1.2Nm
- 3.wire range: 10.00mm<sup>2</sup>

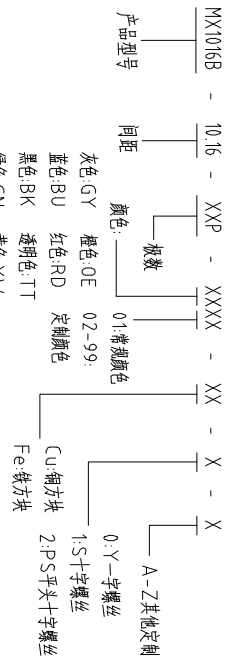
NOTES2:

- 1.Housing: PA66(UL94V-0)
- 2.Solder Pin: Brass(Sn Plated)
- 3.Lage: Steel(Zn Plated)
- 4.Screw: Steel(M4, Zn Plated)

NOTES3:

- 1.Pitch: 10.16mm Poles: 02-24P
- 2.Stripping length: 10mm
- 3.Operating temperature: -40℃~+105℃
- 4.RoHS Compliance

How to order



Pitch	Range	In	Nominal Dimension	Range
mm	Over	In mm	Over	Over
	6	10	30	60
	TO	TO	TO	TO
	6	10	24	30
	TO	TO	60	100
	TO	TO	150	150

ITEM	NAME OF PART	NO. OF PART	Q'TY	MATERIAL	NOTE
DWG	CHK	DATE	UNITS	MM	SHEET/OF
APP	DATE	SCALE	1:1	A4	1/1
CIXI MAXXU ELECTRONICS CO.,LTD			NAME		
慈溪市迈旭电子有限公司			MX1016B-10.16-XXP		
DWGNO.			DATE		