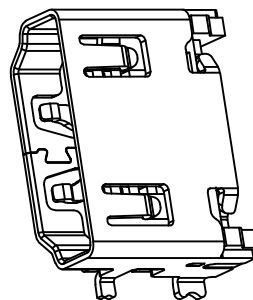
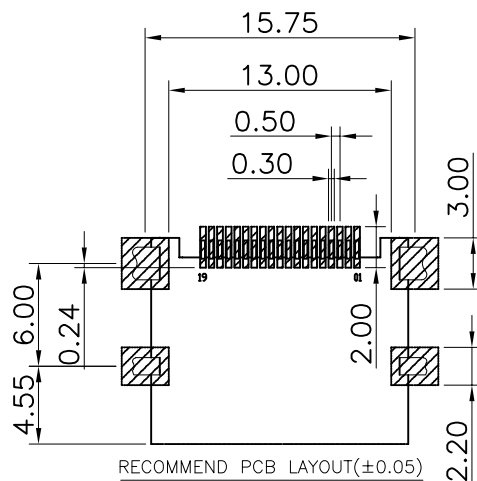
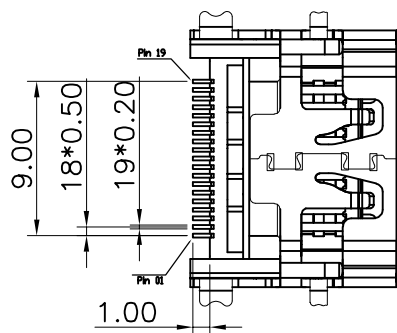
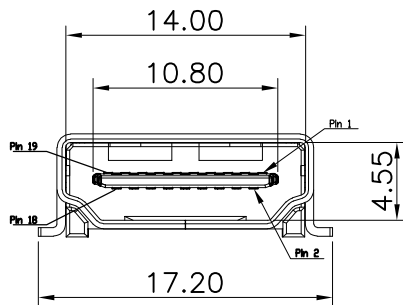
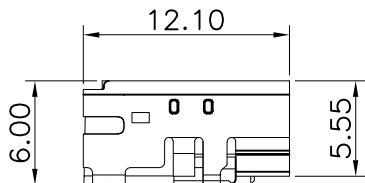
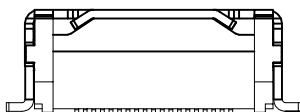
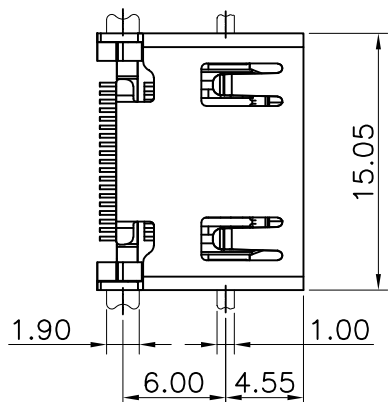


RoHS 2.0

REV.	ECN	NO.	DESCRIPTION	DATE	DESIGN
A1.	/.		重新核对图面	21.01.03	LiHui
A2.	/.		HD	22.10.13	LZR



3D VIEW



NOTES:

- MATERIAL:
 - HOUSING: LCP,COLOR IS GRAY,HIGH TEMPERATURE PLASTIC;
 - CONTACT: BRASS(H65 T=0.20mm);
 - SHELL: COLD ROLLED IRON(SPCC,T=0.5mm);
- FINISH:
 - TERMINAL:
 - CONTACT AREA: GOLD PLATED G/Fu”;
 - SOLDER AREA: PLATED OVER TIN;
 - SHELL: NI PLATED OVER ALL ;
- ELECTRICAL:
 - VOLTAGE RATING: 40 VAC RMS;
 - CURRENT RATING: 0.5 AMP;
 - CONTACT RESISTANCE: 30mΩ MAX.;
 - WITHSTAND VOLTAGE: 500 VAC RMS
50(60)Hz,1MIN.;
 - INSULATION RESISTANCE: 100MEGOHMS MIN
@500V DC;
- MECHANICAL:
 - MATING FORCE: 44.1N MAX.;
 - UNMATING FORCE: 9.8N MIN;
 - OPERATING LIFE: 10000 CYCLES MIN.;
- ENVIRONMENTAL:
 - STORAGE TEMPERATURE RANGE:-40°C~+85°C;
 - OPERATION TEMPERATURE RANGE:-25°C~+70°C;
- SALT SPRAY TEST:24H(Salt spray test 24hours for gold plated area and 8 hours for tin plated area)

C	外壳	SPCC	镀镍	
B	端子	黄铜-H65	焊料区镀锡 接触区镀金(1U)	
A	基座	LCP	灰色	
序号	品名	材质	电镀/颜色	备注

深圳市虹成电子有限公司

UNLESS OTHERWISE, GENERAL TOLERANCE: X.xx ±0.10 X.xx ±0.20 X.x ±0.30	NAME:	HC-HDMI0019T-4				
	HDMI 铁无点镍全贴		DWG NO.:			
ANGULAR: X.xx° ±1° X.x° ±3° X.° ±5°	THIRD ANGLE PROJECTION	UNIT:	SCALE	SIZE:	SHEET:	REV.:
		mm	1:1	A4	1/1	A1
DRAWN:		CHECKED:		APPROVED		