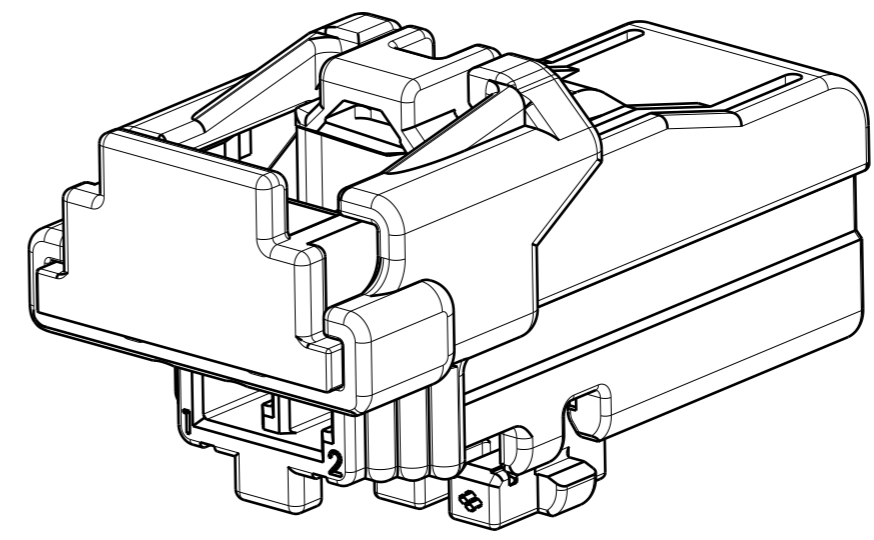




INDEX	
PAGE TITLE	PAGE
TITLE BLOCK / CONNECTOR SPECIFICATIONS	1
REVISION BLOCK AND GENERAL NOTES	2
ASM DIAGRAM / KEYING TABLE	3
PART BLOCK	4
EXPLODED VIEW / COMPONENT MATERIAL SPECIFICATIONS	5
DATUM LOCATIONS AND FEATURE CONTROL VIEWS	6
CONNECTOR DIMENSIONS	7
CONNECTOR MATING INTERFACE AND PIN OUT	8

GM CONNECTOR DRE  
JEAN-PAUL VAGI



13532422  
SCALE 5:1

- CONNECTOR CLASSIFICATION:  
CLASSIFIED TO GMW3191 (REV 2007)-TC2/VC1/SC1/MF3
- TERMINAL CAVITY TYPE AND SIZE:  
TYCO MCON 1.2mm "CLEAN BODY" (2x)
- CONNECTOR VALIDATED WITH THE FOLLOWING TERMINALS:  
SUMITOMO 1.2mm, TIN PLATED  
APTIV 1.2mm OCS, TIN PLATED
- FOR TERMINAL SELECTION SEE:  
SUMITOMO 1.2mm, TAXI PRINT A-120815  
APTIV 1.2mm OCS, TAXI PRINT #13543112
- FOR TERMINAL CAVITY COMPATIBILITY REFERENCE CG-2740
- MATING INTERFACE P/NO:  
13588641  
13530128 (MBS VERSION)
- MAX WIRE O.D. SIZE:  
CAV1-2 =  $\phi 1.9\text{mm}$
- DRESS COVER NOT AVAILABLE FOR THIS APPLICATION
- ALIGNMENT RIB ADDED TO ALL 1.2mm CAVITIES ON REV 007

				DATE
				24AP14
 CHANGE RESTRICTED NO MANUAL CHANGES	REFERENCE  SUMITOMO ELECTRIC WIRING SYSTEMS, INC.	DRAFTER A. HSIEH		
		APVD1		
DO NOT SCALE	METRIC DIMENSIONS SHOWN IN MILLIMETERS UNLESS OTHERWISE SPECIFIED	APVD2		
		APVD3		
		APVD4		
		DRAWING NAME 1.2mm 2WAY UNSEALED INLINE CONNECTOR FEMALE (CONNECTOR ASM)		
DRAWING NUMBER  13532422		DWG STATUS		PAGE NUMBER  1 OF 8
		ST	REV	
		R	007	

PAGE	DWG STATUS					REVISION HISTORY	AUTH	DR	CK	ENG
	DATE	ST	REV	CHG	PDI					
	150C13	R	001	001		INITIAL RELEASE PER EWO 1741854	GAMFS	ALH		ALH
	24NO14	R	002			PRODUCTION RELEASE PER EWO 2179204	GAMFSE	ALH		ALH
1	200C16	R	003			SUMITOMO TERMINALS ADDED PER EWO 2528108	JTNLC	JWA		JWA
3,4,5	240C16	R	004			CPA REPLACED WITH NEW PART PER EWO 2484146	JMSXK	JWA		JWA
7	28FE17	R	005			DIMENSIONS UPDATED DUE TO CPA CHANGE PER EWO 2484146	JMSXK	JWA		JWA
3,4	01JN17	R	006			ADDED KEYWAYS C AND D PER EWO 2626967	JYRYW	JWA		JWA
1-6	18DE18	R	007			REMOVED JST TERMINAL INFO; ADDED MBS MATING P/N; UPDATED NOTES WITH SERVICE INFO; CHANGED DELPHI TO APTIV; DESIGN CHANGE (RIB ADDITION); UPDATED INSTRUCTION MANUAL NO.; NEW GM P/Ns PER EWO 2908734	KXXKT	JWA	JPV	JWA

NOTES:

UNLESS OTHERWISE SPECIFIED:

1. CONNECTOR SHIPPED WITH TPA IN PRE LOCK CONDITION
2. CONNECTOR SHIPPED WITH CPA IN PRE LOCK CONDITION
3. DRESS COVER NOT AVAILABLE FOR THIS APPLICATION
4. CLIP SLOT DRAWING = EWCAP-005-7 (MALE CONNECTOR ONLY)
5. INSTRUCTION MANUAL No. CB-787E
6. TERMINALS TO BE APPLIED IN COMPLIANCE WITH THE FOLLOWING SPECIFICATIONS:
  - SUMITOMO US1.2: SUMITOMO HANDLING MANUAL CONTROL# TB-699E
  - APTIV OCS 1.2 CB: APTIV TAXI PRINT 13543112
7. FOR SERVICE CABLE ASSEMBLIES, PLEASE USE THE FOLLOWING WIRE, TERMINALS, SEALS & MISC COMPONENTS AS LISTED BELOW:

CAVITIES 1-2: SUMITOMO TERM FEMALE 1.2mm  
 MAX WIRE SIZE: 0.75mm<sup>2</sup> ISO  
 TERMINAL PN#: 8240-0628  
 SEAL: N/A



PAGE TITLE  
 REVISION BLOCK

DRAWING NUMBER

13532422

DWG STATUS

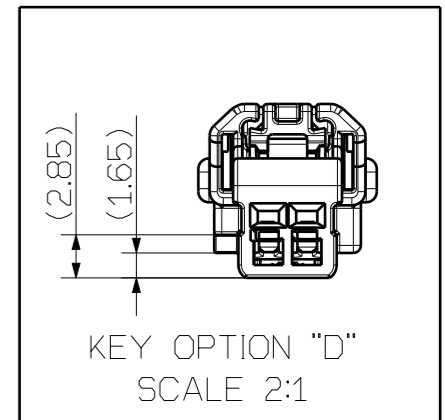
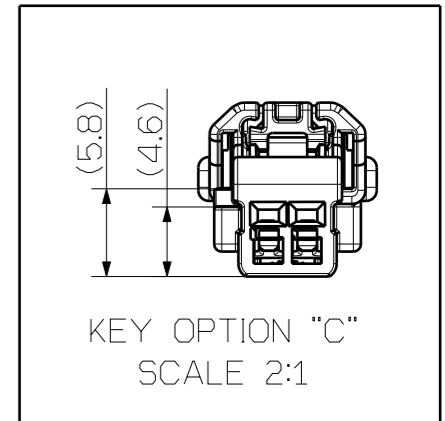
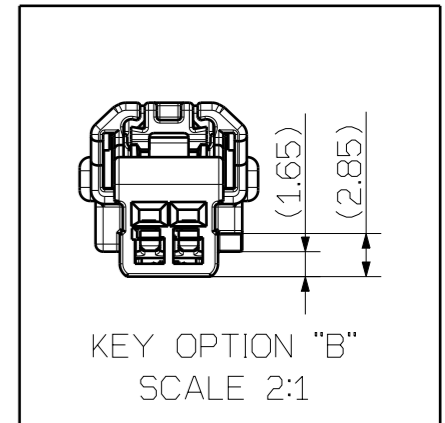
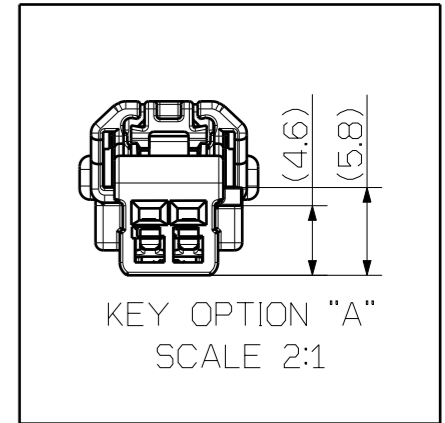
ST	REV	PDI
R	007	

PAGE NUMBER

2 OF 8

ASSEMBLY		
SUMITOMO PART NO.	GM PART NO.	DESCRIPTION
6098-8988	13532422	2WAY FEMALE UNSEALED INLINE CONNECTOR KEY A
6098-8989	13532423	2WAY FEMALE UNSEALED INLINE CONNECTOR KEY B
6098-8990	13532424	2WAY FEMALE UNSEALED INLINE CONNECTOR KEY C
6098-8991	13532425	2WAY FEMALE UNSEALED INLINE CONNECTOR KEY D

ITEM	QUANTITY				DESCRIPTION	COLOR	SUMITOMO PART NO.	GM PART NO.
1	1				FEMALE HOUSING A	BLACK	6098-8992	
1		1			FEMALE HOUSING B	GRAY	6098-8993	
1			1		FEMALE HOUSING C	BROWN	6098-8994	
1				1	FEMALE HOUSING D	GREEN	6098-8995	
2	1	1	1	1	TPA	NATURAL	6910-7359	
3	1	1	1	1	CPA	RED	6910-7891	



PAGE TITLE  
ASSEMBLY DIAGRAM / KEYING TABLE

DRAWING NUMBER  
13532422

DWG STATUS		
ST	REV	PDI
R	007	

PAGE NUMBER  
3 OF 8



2WAY INLINE	A	BLACK		1	RD	13532422			007		0.00125	2WAY UNSEALED INLINE FEMALE CONNECTOR	KEY OPTION "A"
2WAY INLINE	B	GRAY		1	RD	13532423			007		0.00125	2WAY UNSEALED INLINE FEMALE CONNECTOR	KEY OPTION "B"
2WAY INLINE	C	BROWN		1	RD	13532424			007		0.00125	2WAY UNSEALED INLINE FEMALE CONNECTOR	KEY OPTION "C"
2WAY INLINE	D	GREEN		1	RD	13532425			007		0.00125	2WAY UNSEALED INLINE FEMALE CONNECTOR	KEY OPTION "D"
ABBREVIATION	CODING	COLOR OF LOCKING DEVICE	REMARK	DWG ITEM	DWG RLTN SHIP	PART NUMBER	DLS	ST	REV	PDI	MASS (kg)	PART NAME	NOTES

PARTS SHOWN ON DRAWING

	PAGE TITLE	DRAWING NUMBER	DWG STATUS			PAGE NUMBER	
	PART BLOCK		13532422	ST	REV		PDI
				R	007		

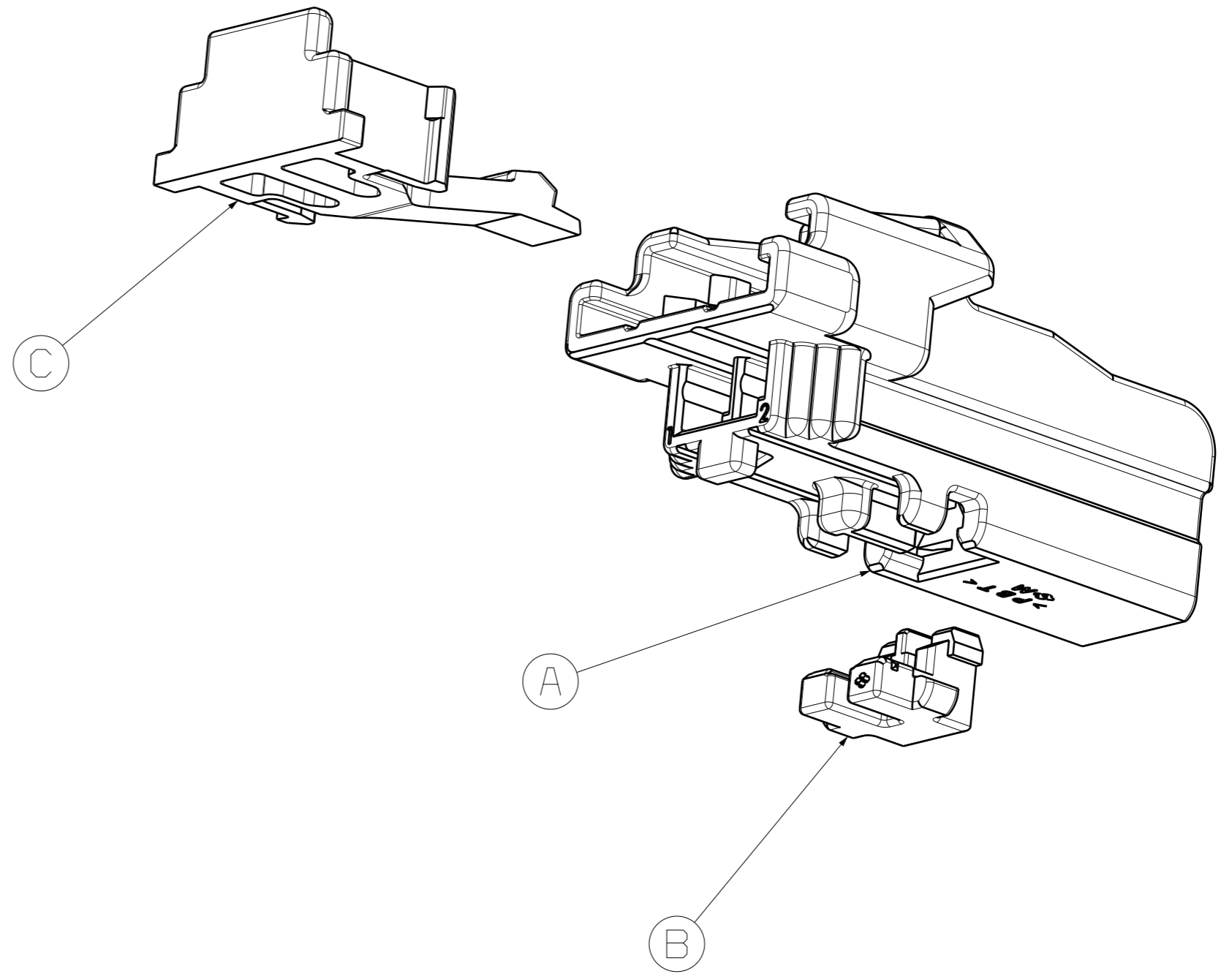
ABBREVIATION:

MATING PART: 13588641  
13530128 (MBS VERSION)

(A) HOUSING  
MATERIAL: PBT  
COLOR: BLACK (KEY "A")  
GRAY (KEY "B")  
BROWN (KEY "C")  
GREEN (KEY "D")

(B) TPA  
MATERIAL: PBT  
COLOR: NATURAL

(C) CPA  
MATERIAL: PBT  
COLOR: RED



PAGE TITLE  
SPECIFICATION

DRAWING NUMBER

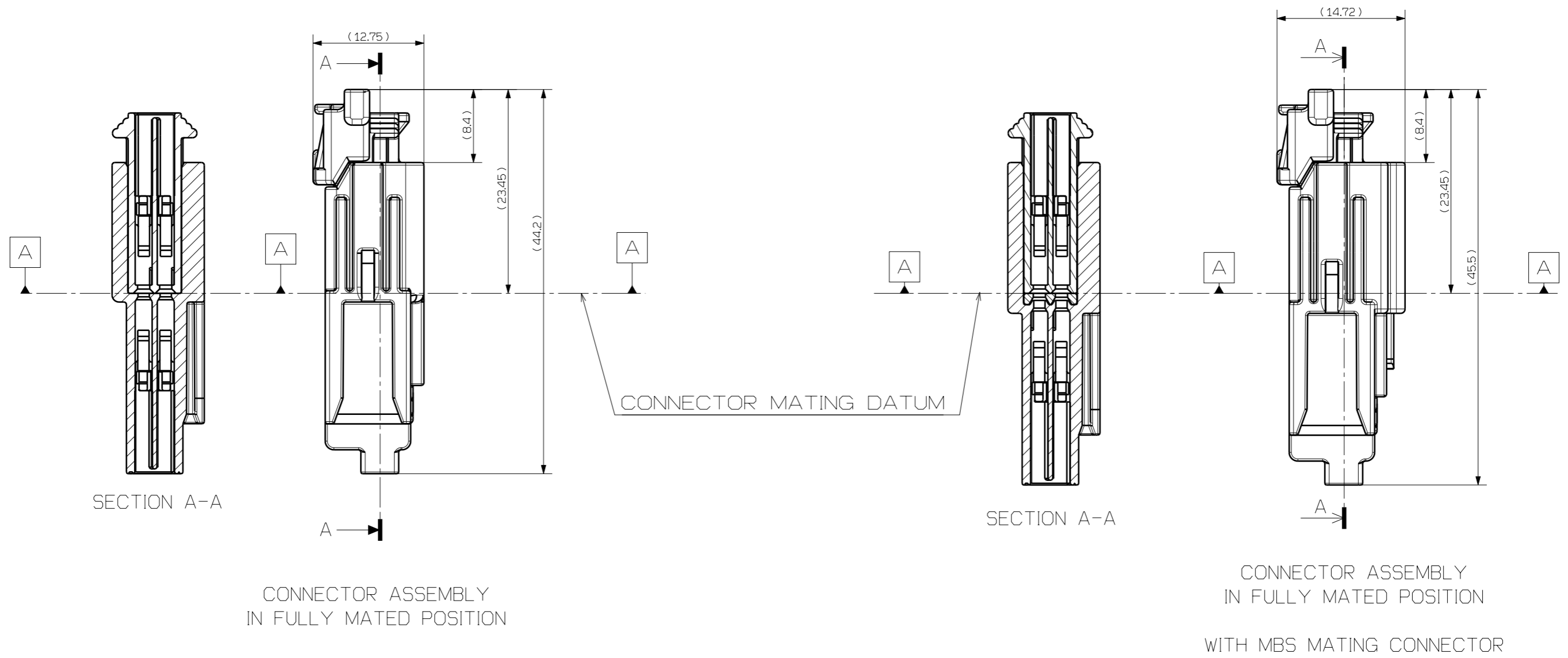
13532422

DWG STATUS

ST	REV	PDI
R	007	

PAGE NUMBER

5 OF 8

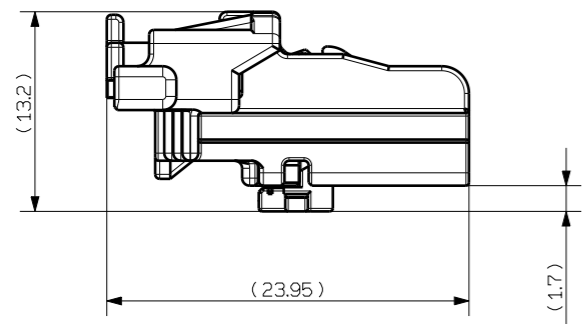


PAGE TITLE  
LOCATION AND PACKAGING DIMENSIONS  
REFERENCE INTERFACE DATUM A

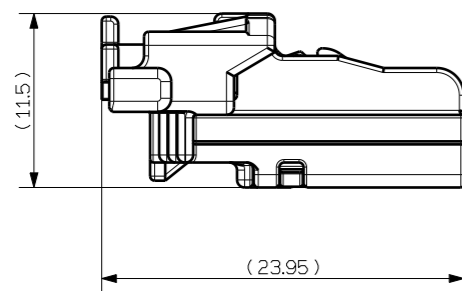
DRAWING NUMBER  
13532422

DWG STATUS		
ST	REV	PDI
R	007	

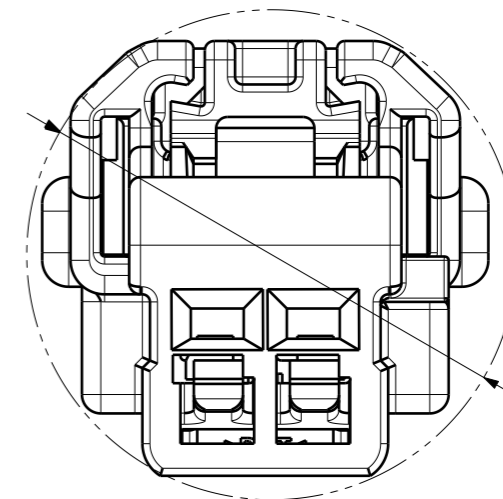
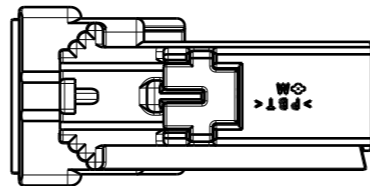
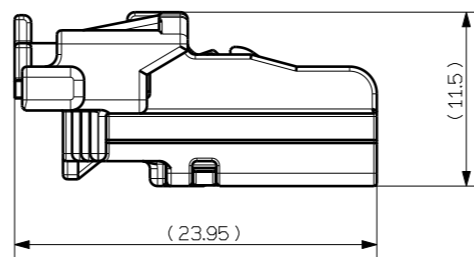
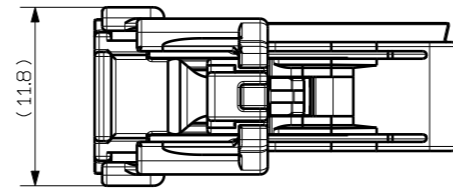
PAGE NUMBER  
6 OF 8



AS SHIPPED TO HARNESS SUPPLIER  
 TPA IN PRESTAGE POSITION  
 CPA IN PRESTAGE POSITION



AS SHIPPED TO GM VAP  
 TPA IN LOCKED POSITION  
 CPA IN PRESTAGE POSITION



PASS THROUGH HOLE  
 AS SHIPPED TO GM  
 (TPA IN LOCKED POSITION)

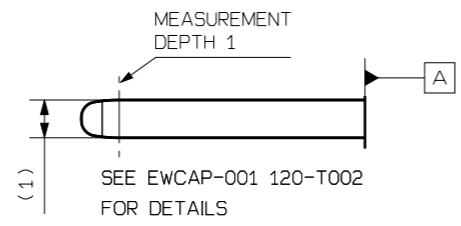
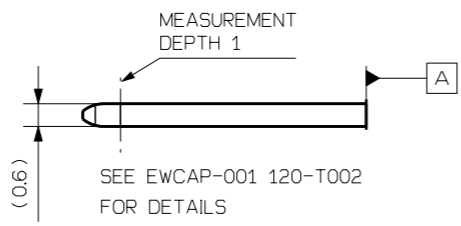
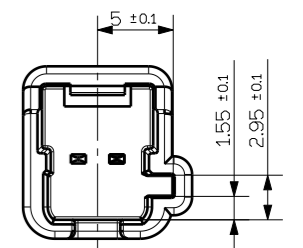
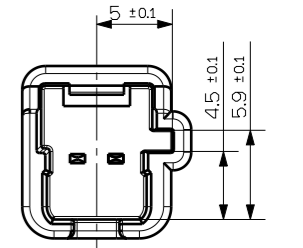
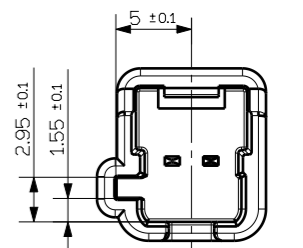
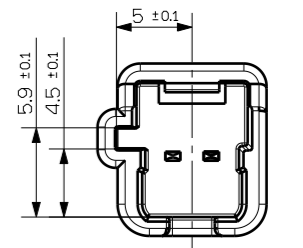
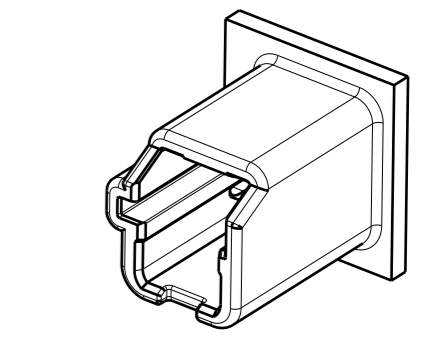
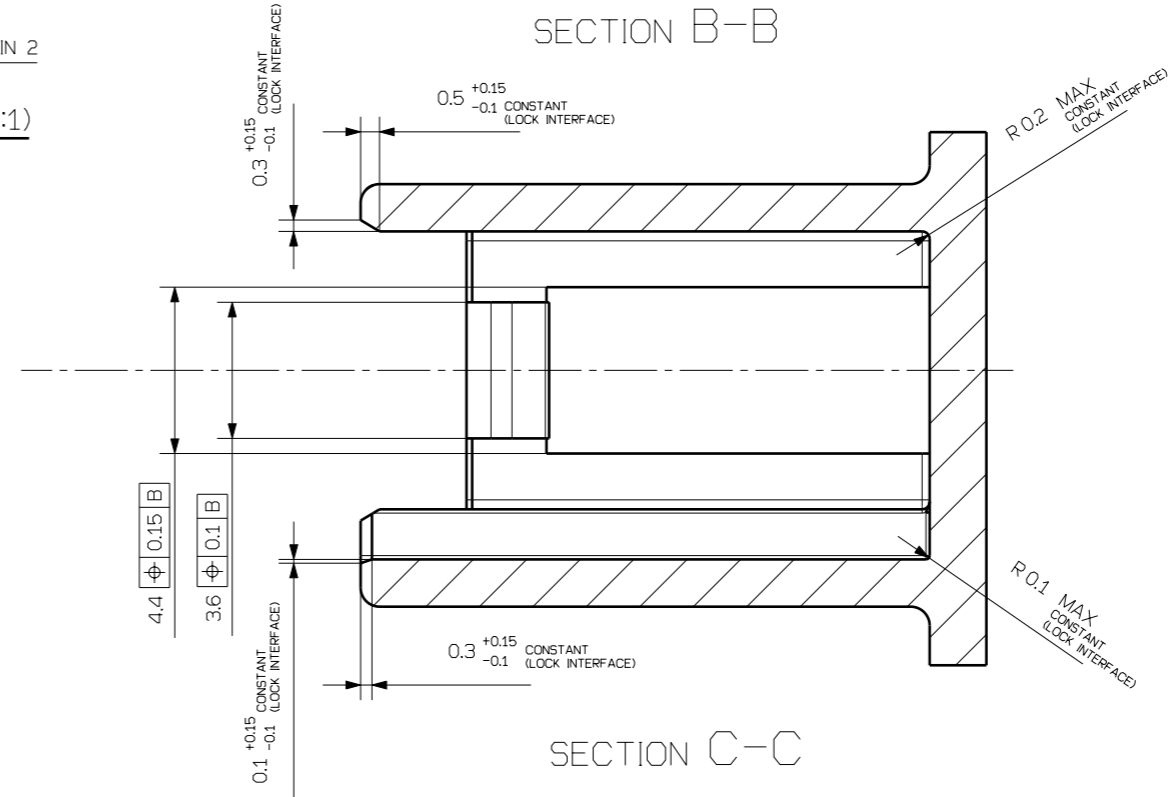
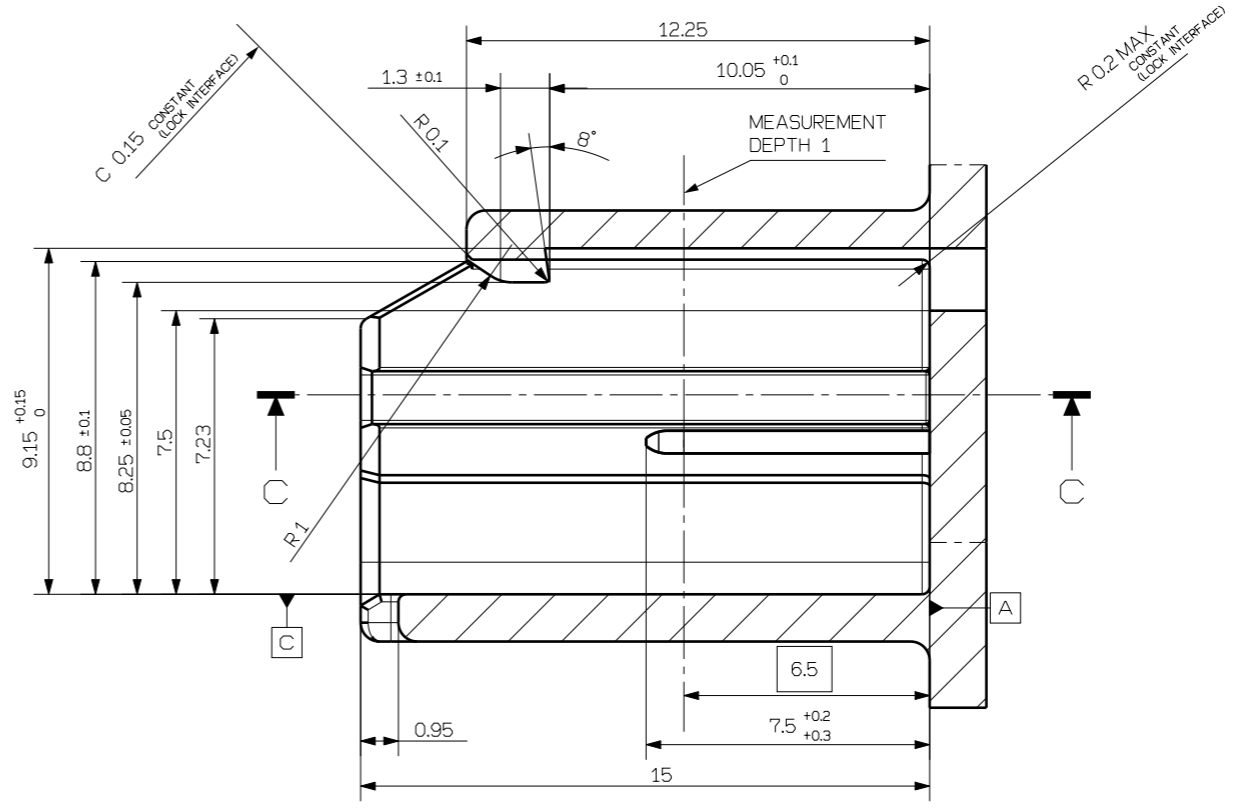
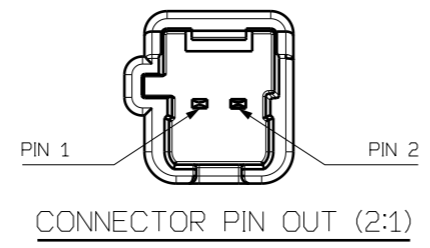
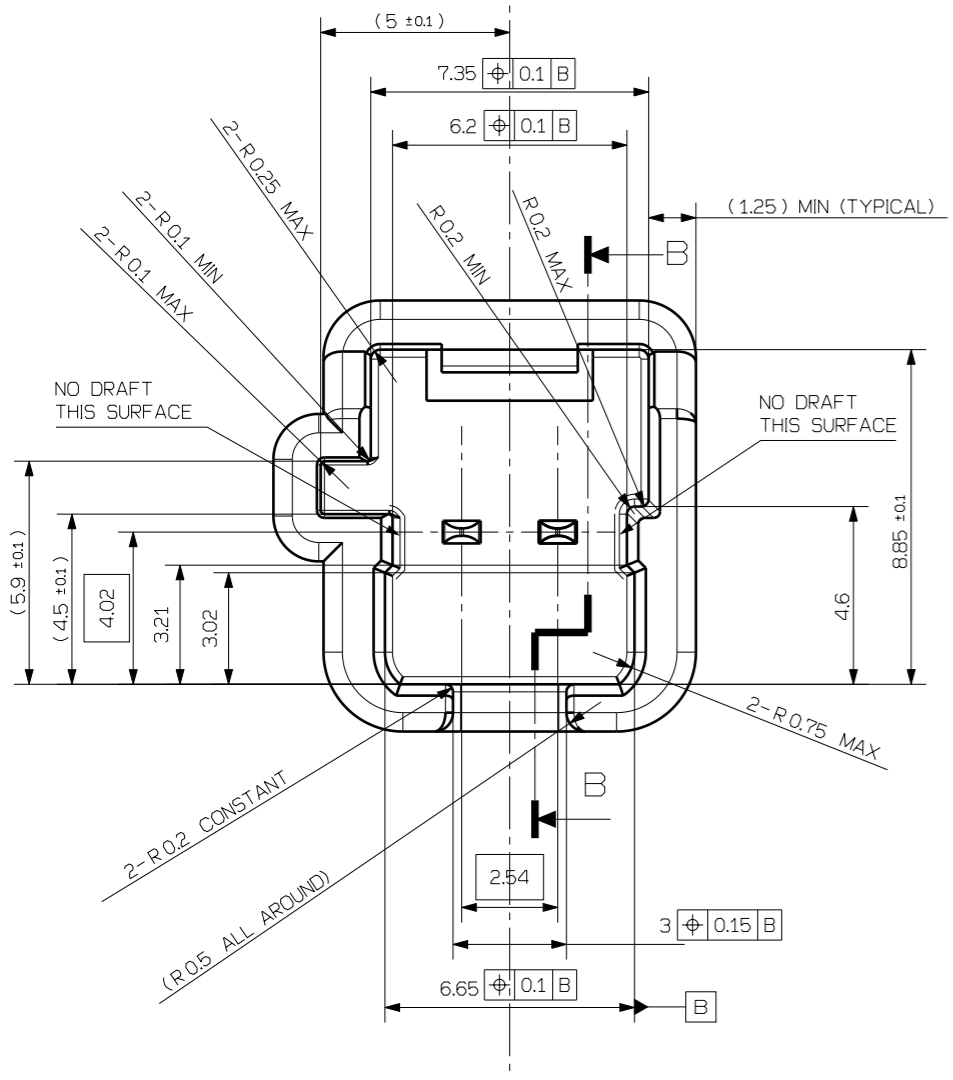


PAGE TITLE  
 CONNECTOR DIMENSIONS

DRAWING NUMBER  
 13532422

DWG STATUS		
ST	REV	PDI
R	007	

PAGE NUMBER  
 7 OF 8



TERMINAL ALIGNMENT

GENERAL TOLERANCE		
OVER	UNDER	
	10	±0.15
10	20	±0.2
ANGLE		±1°

NOTES:

1. WALL THICKNESS: (1.25)
2. ALL UNSPECIFIED RADII: 0.25
3. 0.25 MAX RADIUS PERMISSIBLE ON ALL EDGES SHOWN AS SHARP
4. DRAFT PERMISSIBLE FROM DATUM A 0.5° MAX EXCEPT WHERE SPECIFIED
5. FOR HEADER BLADE INFORMATION SEE DRAWING EWCAP-001 (120-T002)



PAGE TITLE  
CONNECTOR MATING INTERFACE AND PIN OUT

DRAWING NUMBER  
13532422

DWG STATUS		
ST	REV	PDI
R	007	

PAGE NUMBER  
8 OF 8