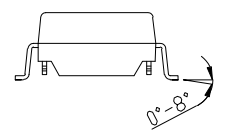
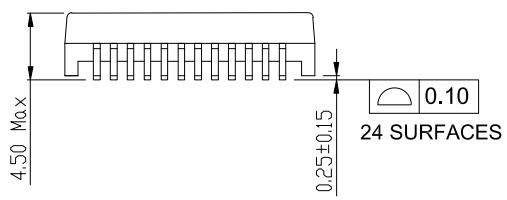
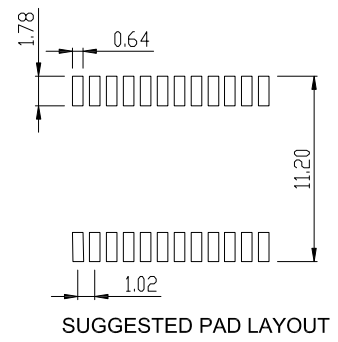
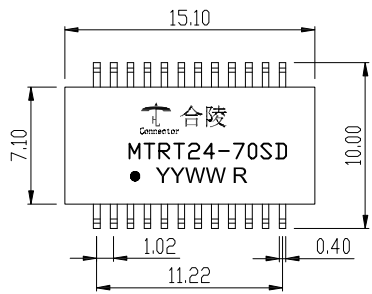
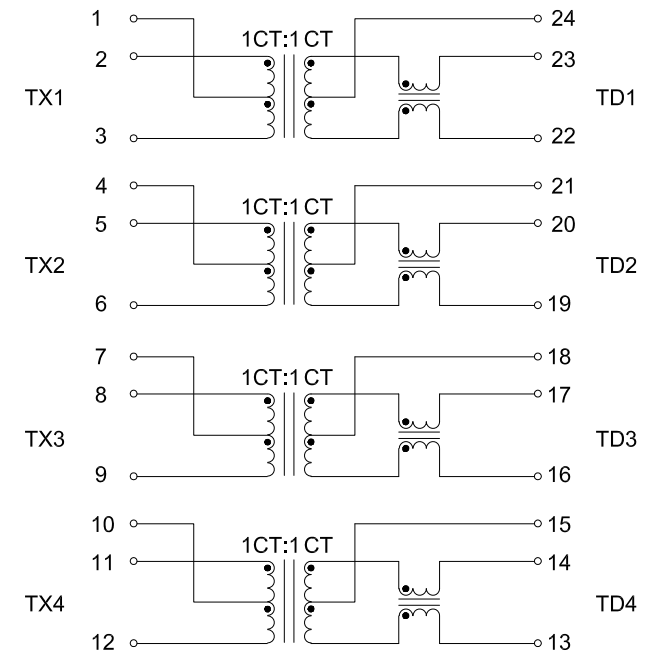


CATEGORY	DESCRIPTION	P/N #
CONNECTOR	RJ45 2.5G模组	MTRT24-70SD

REV.	ECN NO	DESCRIPTION	REVISED	DATE
A01		New Release	ZSH	2018.05.15



- Meets IEEE 802.3bz Standards.
- RoHS Compliant.
- 2.5G Base-T, Surface Mount Type, Open Header.
- Operating temperature range: 0°C to +70°C.




Electrical Specifications @25°C

OCL(uH Min) @100KHz,100mV With 0mA DC Bias	Turns Ratio (±5%)	LK 100KHz 100mV (uH Max)	CAP (pF Max)	DCR (Ω Max)	Insertion Loss (dB Max)	
					1-150MHz	
160uH	1CT:1CT	0.40	28	1.2	-1.5	
Return Loss (dB Min)			CROSS TALK (dB Min)		COMR (dB Min)	HI-POT (Vrms)
1-40MHz	40.1-100MHz	100.1-200MHz	1.0-125MHz	125.1-200MHz	1.0-150MHz	
-20	-14	-9.5	-30	-25	-30	1500V/1mA/2s

UNLESS OTHERWISE SPECIFIED TOLERANCES

DECIMALS: X :±0.5 X.X :±0.3 X.XX :±0.2

ANGLES: X :±2° X.X :±1°


東莞市合陵電子有限公司
 DongGuan HeLing Electronic Co.,LTD

SCALE: 1/1 UNIT: mm DWG.NO:
 SIZE: A3 PAGE: 1 OF 1 REV: A01

APPROVED BY	CHECKED BY	PREPARED BY
DICK	XSY	ZSH

CUSTOMER COPY