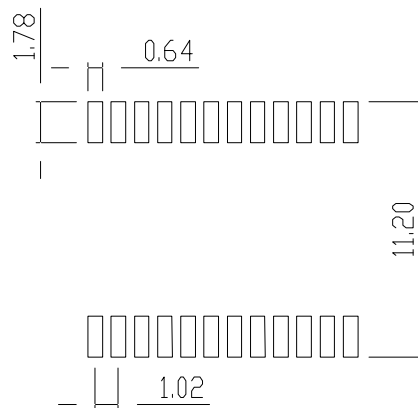
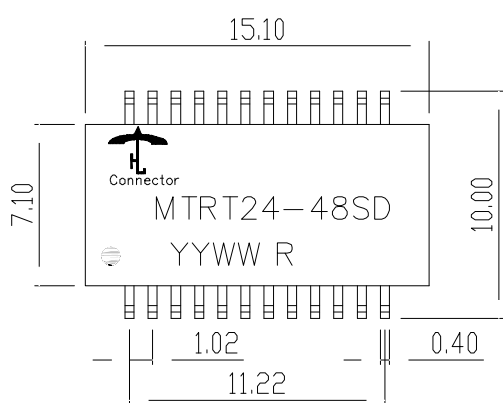
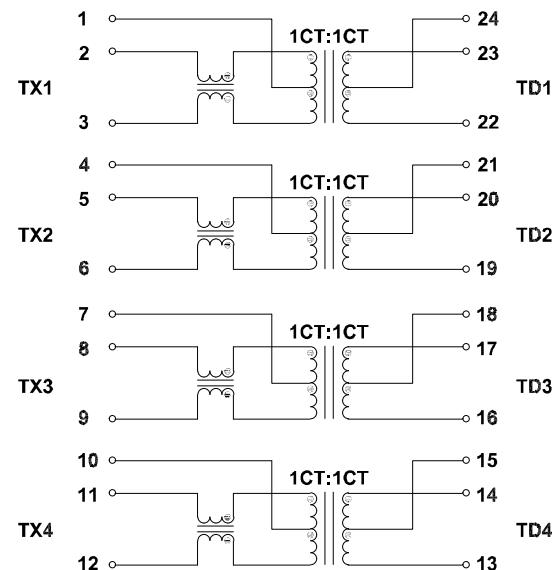
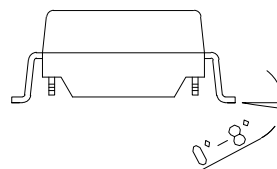
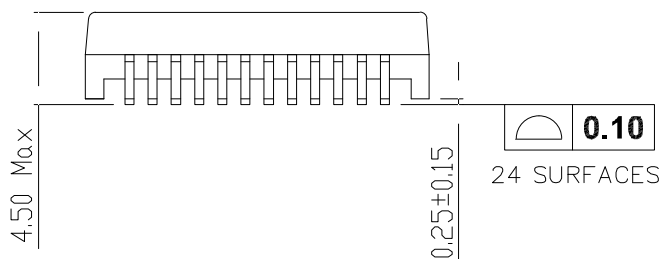


CATEGORY	DESCRIPTION	P/N #
CONNECTOR	2.5G SINGLE PORT	MTRT24-48SD

REV.	ECN NO	DESCRIPTION	REVISED	DATE
A01		NEW	WHQ	2022/12/19



SUGGESTED PAD LAYOUT



- Meets IEEE 802.3bz Standards.
- RoHS Compliant.
- 2.5G Base-T, Surface Mount Type, Open Header.
- Designed to meet reflow soldering 245°C peak requirement.
- Operating temperature range: 0°C to +70°C.
- Storage temperature range: -20°C TO +125°C.

Electrical Specifications @25°C

Part Number	OCL (uH Min) @100KHz, 100mV With 0mA DC Bias	Turns Ratio (±5%)	LK 100KHz 100mV (uH Max)	CAP (pF Max)	DCR (Ω Max)	Insertion Loss (dB Max)		
						1-150MHz		
RT2448SD	180uH	1CT:1CT	0.40	28	1.2	-1.5		
	Continue							
	Return Loss (dB Min)		CROSS TALK (dB Min)			COMR (dB Min)	HI-POT (Vrms)	
	1-40MHz	40.1-100MHz	100.1-150MHz	1.0-125MHz	125.1-200MHz	1.0-150MHz	1500V/1mA/2s	
-20	-14	-9.5	-30	-25	-30			

东莞市合陵电子有限公司
Connector DongGuan HeLing Electronic Co.,LTD.

UNLESS OTHERWISE SPECIFIED TOLERANCES	SCALE: 1/1	UNIT: mm	DWG NO.	
	SIZE: A4	PAGE: 1 OF 1	REV: A01	HL20220106001
DECIMALS: X :±0.5 X.X :±0.3 X.XX :±0.2	ANGLES: X :±2° X.X :±1°	APPROVED BY	CHECKED BY	PREPARED BY
		DICK	XSY	WHQ
CUSTOMER COPY				