

CATEGORY	DESCRIPTION	P/N #
CONNECTOR	Transformer 100 Mbps	MT28-XS002

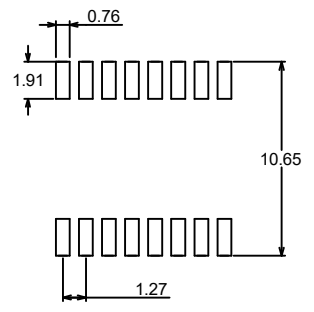
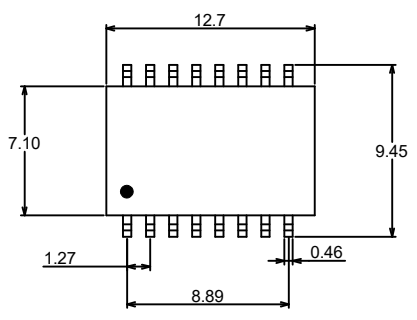
旧料号: MT28-XS001
变更后料号: MT28-XS002

REV.	ECN NO	DESCRIPTION	REVISED	DATE
A01	_____	_____	KELLY	2009.05.17
A02	_____	修改P脚结构	KELLY	2016.11.02

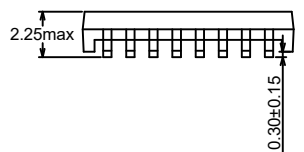
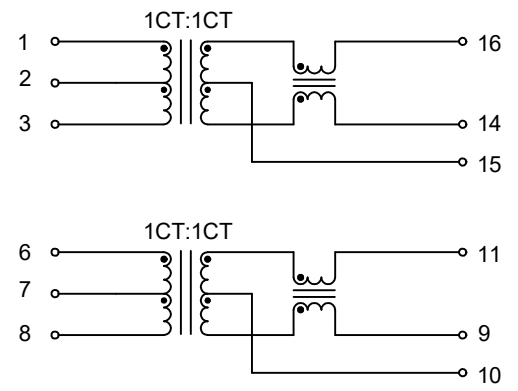
- Designed To Meet IEEE 802.3 & ANSI X 3.263 Standards.
- Lead-Free&Designed To Meet RoHS Requirement.
- 10/100 Base-T,Surface Mount Type,Open Header .
- Operating temperature range: 0 °C to +70 °C .

Electrical Specifications @25°C

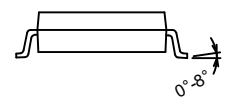
Part Number	OCL(uH Min) @100KHz,0.1V	Turns Ratio (±5%)	Insertion Loss (dB Max)	Return Loss (dB Min)			Cross talk (dB Min)		CMRR (dB Min)	HI-POT (Vrms)
				0.5-100MHz	0.5-30MHz	30.1-60MHz	60.1-80MHz	0.5-40MHz		
Yxsmd1602-AG	350	1CT:1CT	-1.1	-18	-18+20*log(f/30)	-12	-35	-33+20*log(f/50)	-30	1500




SUGGESTED PAD LAYOUT



0.10
16 SURFACES



 東莞市合陵電子有限公司
DongGuan HeLing Electronic Co.,LTD

UNLESS OTHERWISE SPECIFIED TOLERANCES	SCALE:1/1	UNIT: mm		DWG.NO:
	SIZE: A3	PAGE:1 OF 1	REV:A02	
DECIMALS: X :±0.5 X.X :±0.3 X.XX :±0.2	ANGLES: X :±2° X.X :±1°	APPROVED BY TNOY	CHECKED BY BILL	PREPARED BY KELLY
CUSTOMER COPY				