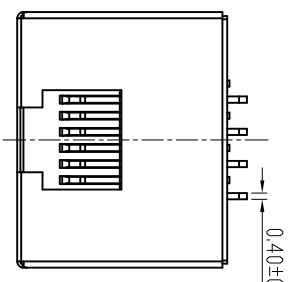


CATEGORY	DESCRIPTION	P/N #
CONNECTOR	RJ45 8P8C DII型反口沉板H=5.33无灯	MJ88M-XX11-HLXRD1-X

REV.	ECN NO.	DESCRIPTION	REVISED	DATE
A01		New Release	YST	2019.07.31
A02		增加主体颜色选项	YST	2019.12.12

MJ88M-XX11-HLXRD1-X



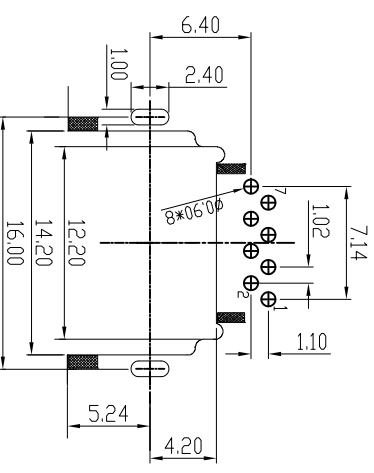
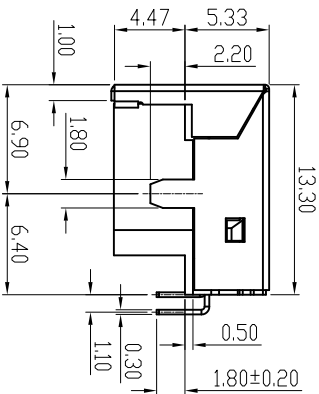
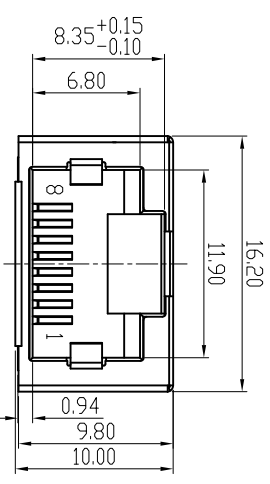
X	HOUSING
B	BLACK
U	BLUE
G	GRAY

X	Terminal Plating
0	Au 1u" Plating
1	Au 3u" Plating
2	Au 6u" Plating
3	Au 15u" Plating
4	Au 30u" Plating

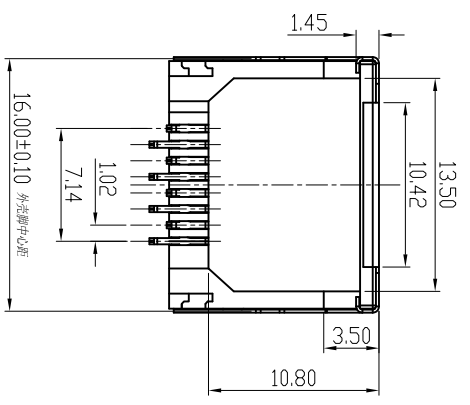
X	SHELL
B	BRASS
G	SUS 304

X	包装方式
C	卷带包装
P	吸塑盒包装

- SPECIFICATION**
- CURRENT RATING: 1.5AMPS
 - VOLTAGE RATING: 125V AC
 - INSULATION RESISTANCE: 500MΩ MIN.
 - WITHSTAND VOLTAGE:
 - AC1000V RMS 50Hz or 60Hz MIN.
 - CONTACT RESISTANCE: 30mΩ MAX.
 - DURABILITY: 750 MATING CYCLES
 - OPERATING TEMPERATURE: -25~+80°C



Recommend PCB Layout
Jack Top View



c	SHELL	1	BRASS/SUS	NI PLATING	
b	TERMINAL	8	PHOSPHOR BRONZE	Au/Tin PLATING	
a	HOUSING	1	LCP+30%GF UL94V-0	BLACK	
NO.	PART NAME	QTY	MATERIAL	PLATING & COLOR	Remark

UNLESS OTHERWISE SPECIFIED TOLERANCES

DECIMALS:	ANGLES:
X.X : ±0.30	X : ±2°
X.XX : ±0.20	X.X : ±1°
X.XXX : ±0.10	

东莞市合陵电子有限公司
 Dongguan Heling Electronic Co.,LTD

SCALE: 1/1	UNIT: mm	DWG.NO:
SIZE: A3	PAGE: 1 OF 1	REV: A02
APPROVED BY	CHECKED BY	PREPARED BY
DICK	XSY	YST
CUSTOMER COPY		