

4	3	2	1
CATEGORY	DESCRIPTION	P/N #	
CONNECTOR	RJ45 超薄全包沉板H2.95带灯无内弹	MJ88K1-BX11-HXRVLX1-X	

REV.	ECN NO	DESCRIPTION	REVISED	DATE
A01		NEW RELEASE	Luke	2022.09.28

MJ88K1-BX11-HXRVLX1-X

X	Terminal Plating
0	Au 1u" Plating
1	Au 3u" Plating
2	Au 6u" Plating
3	Au 15u" Plating
4	Au 30u" Plating

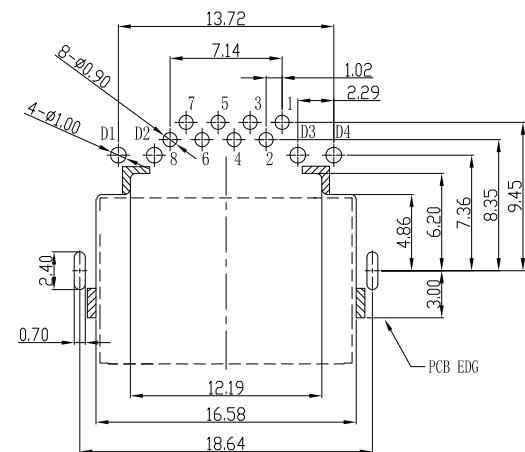
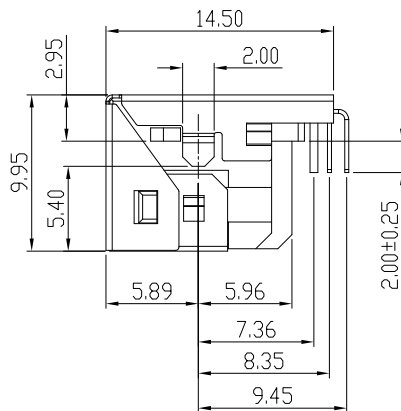
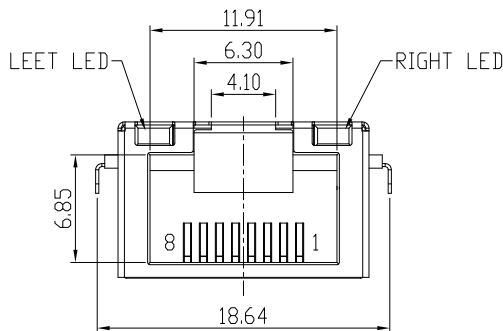
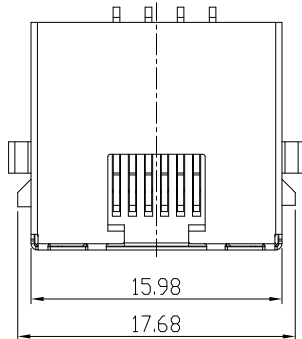
X	包装方式
C	卷带包装
P	吸塑包装

X	LED-L	LED-R
1	GREEN	YELLOW
2	YELLOW	GREEN
3	ORANGE	GREEN

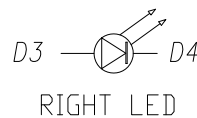
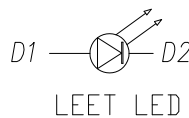
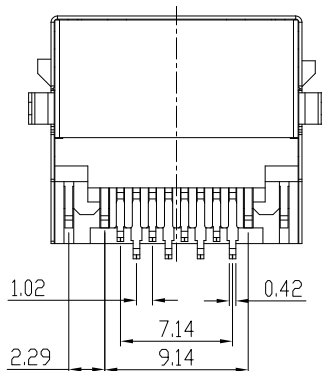
X	Housing Color
9	PA 9T
L	LCP

NOTE:

1. Voltage: 150V AC RMS
2. Current Rating: 1.5A
3. Contact Resistance: 40mΩ MAX.
4. Insulation Resistance: 500MΩ MIN.
5. Dielectric Withstang Voltage :500V AC
6. Operature Temperature: -40°C~80°C
7. Durability: 750 Mating Cycles MIN.



P.C.B RECOMMENDED HOLE LAYOUT SEEN FROM COMPONENT SIDE
ALL CENTERLINE DIMENSIONS ARE BASIC



f	LED-R	1	SEE TABLE	Tin PALTING	
e	LED-L	1	SEE TABLE	Tin PALTING	
d	Bottom SHELL	1	SUS T=0.15mm	Ni PALTING	
c	Upper SHELL	1	SUS T=0.2mm	Ni PALTING	
b	TERMINAL	8	PHOSPHOR BRONZE T=0.25mm	Au/Tin PALTING	
a	HOUSING	1	SEE TABLE UL94V-0	BLACK	
NO.	PART NAME	Q'TY	MATERIAL	PLATING & COLOR	Remark

UNLESS OTHERWISE SPECIFIED TOLERANCES	SCALE:1/1	UNIT: mm	DWG.NO:	
	SIZE: A3	PAGE:1 OF 1	REV:A01	
DECIMALS: X.X :±0.30 X.XX :±0.20 X.XXX :±0.10	ANGLES: X :±2° X.X :±1°	APPROVED BY	CHECKED BY	PREPARED BY
		DICK	XSX	Luke
CUSTOMER COPY				



东莞市合陵电子有限公司
DongGuan HeLing Electronic Co.,LTD