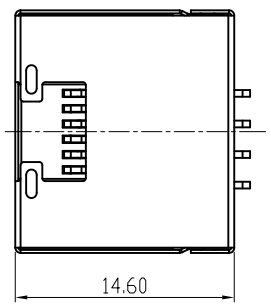


CATEGORY	DESCRIPTION	P/N #
CONNECTOR	RJ45 88PC DIP型反口沉板H=4.10 带灯	MJ88H1-BX11-HLRVLX1-X

REV.	ECN NO.	DESCRIPTION	REVISED	DATE
A01		New Release	YST	2019.07.24



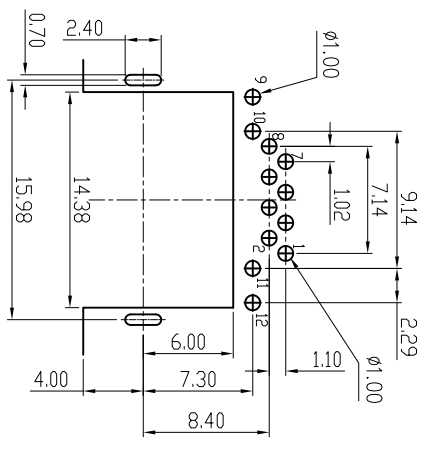
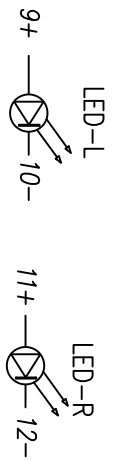
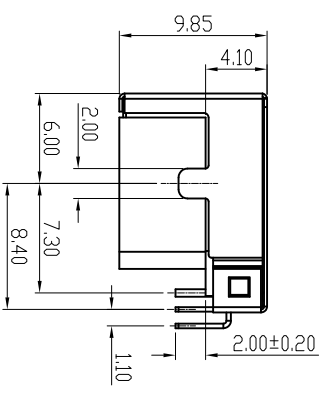
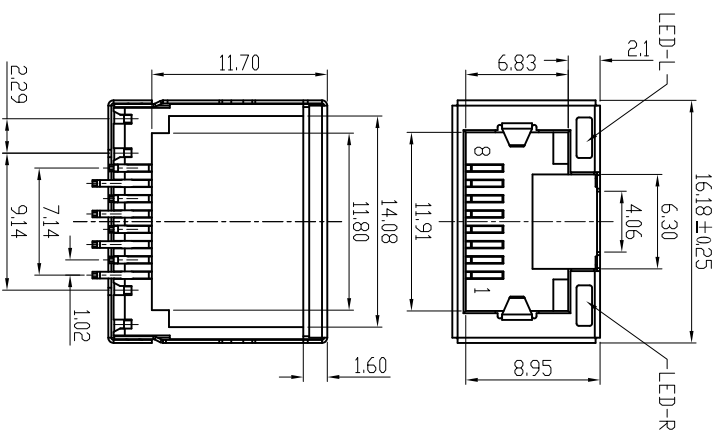
X	Terminal Plating
0	Au 1u" Plating
1	Au 3u" Plating
2	Au 6u" Plating
3	Au 15u" Plating
4	Au 30u" Plating

X	LED-L	LED-R
1	GREEN	YELLOW
2	YELLOW	GREEN

X	包装方式
C	卷带包装
P	吸塑包装

MJ88H1-BX11-HLRVLX1-X

- SPECIFICATION
- CURRENT RATING: 1.5AMPS
 - VOLTAGE RATING: 125V AC
 - INSULATION RESISTANCE: 500MΩ MIN.
 - WITHSTAND VOLTAGE: AC1000V RMS 50Hz or 60Hz MIN.
 - CONTACT RESISTANCE: 30mΩ MAX.
 - DURABILITY: 750 MATING CYCLES
 - OPERATING TEMPERATURE: -25℃~+80℃



Recommend PCB Layout
Jack Top View
Tolerance: ±0.05mm

A	e	LED-R	1	SEE TABLE	Tin PLATING	
	d	LED-L	1	SEE TABLE	Tin PLATING	
	c	SHELL	1	BRASS	NI PLATING	
	b	TERMINAL	8	PHOSPHOR BRONZE	Au/Tin PLATING	
	a	HOUSING	1	LCP+30%GF UL94V-0	BLACK	
	NO.	PART NAME	QTY	MATERIAL	PLATING & COLOR	Remark


UNLESS OTHERWISE SPECIFIED TOLERANCES

DECIMALS: ANGLES:

X.X : ±0.30 X : ±2°

X.XX : ±0.20 X.X : ±1°

X.XXX : ±0.10


东莞市合陵电子有限公司
 Dongguan Heling Electronic Co.,LTD
 Connector

SCALE: 1/1 UNIT: mm DWG.NO:
 SIZE: A3 PAGE: 1 OF 1 REV: A01
 APPROVED BY: CHECKED BY: PREPARED BY:
 DICK XSY YST
CUSTOMER COPY