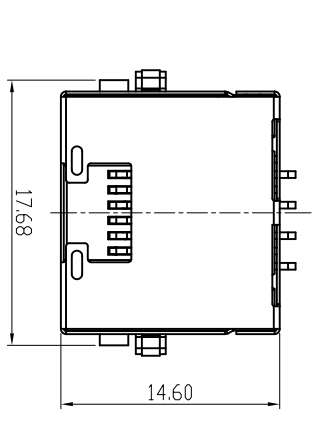


CATEGORY	DESCRIPTION	P/N #
CONNECTOR	RJ45 8P8C D1P型沉板H=8.80带灯	MJ88H-BX11-HLRVX1-1X

MJ88H-BX11-HLRVX1-1X

REV.	ECN NO.	DESCRIPTION	REVISED	DATE
A01		New Release	XSY	2018.07.26

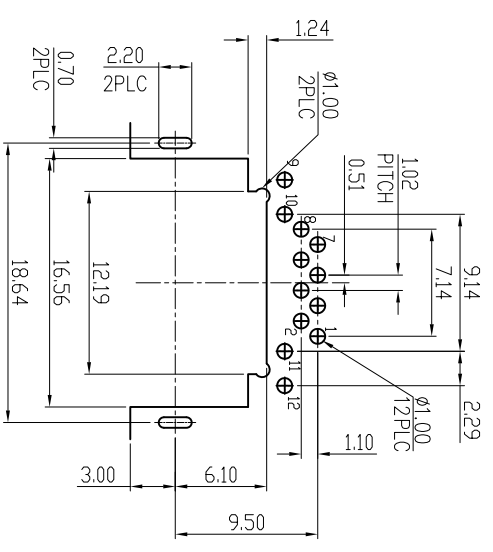
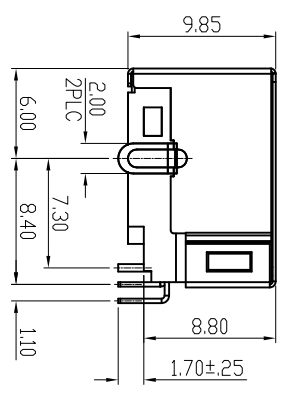
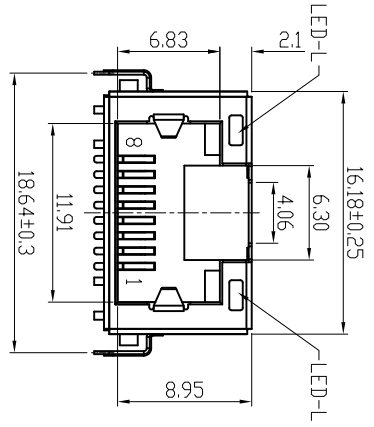


X	Terminal Plating
0	Contacts Area: Au 1u"
1	Solder Area: Bright-Tin 80u"
2	Solder Area: Bright-Tin 80u"
3	Contacts Area: Au 15u"
6	Au 1u" Overall(全塗)

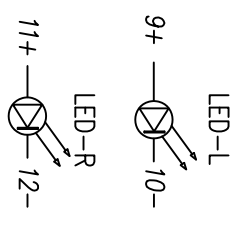
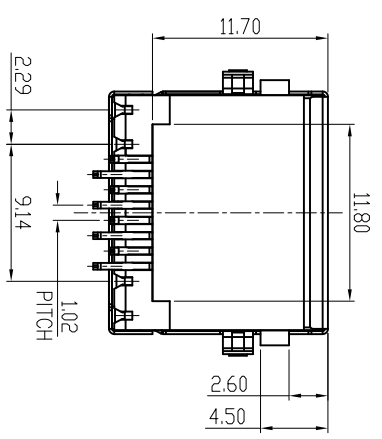
X	包装方式
C	卷带包装
P	吸塑盒包装

X	LED-L	LED-R
1	GREEN	YELLOW
2	YELLOW	GREEN

SPECIFICATION
 1. CURRENT RATING: 1.5AMPS
 2. VOLTAGE RATING: 125V AC
 3. INSULATION RESISTANCE: 500MΩ MIN.
 4. WITHSTAND VOLTAGE:
 AC1000V RMS 50Hz or 60Hz MIN.
 5. CONTACT RESISTANCE: 30mΩ MAX.
 6. DURABILITY: 750 MATING CYCLES
 7. OPERATING TEMPERATURE: -25°C~80°C



Recommend PCB Layout
 Jack Top View
 Tolerance: ±0.05mm



e	LED-R	1	SEE TABLE	Tin PLATING	
d	LED-L	1	SEE TABLE	Tin PLATING	
c	SHELL	1	BRASS	NI PLATING	
b	TERMINAL	8	PHOSPHOR BRONZE	SEE TABLE	
a	HOUSING	1	LCP+30%GF UL94V-0	BLACK	
NO.	PART NAME	QTY	MATERIAL	PLATING & COLOR	Remark

UNLESS OTHERWISE SPECIFIED TOLERANCES
 DECIMALS: ANGLES:
 X.X : ±0.30 X : ±2°
 X.XX : ±0.20 X.X : ±1°
 X.XXX : ±0.10

东莞市合陵电子有限公司
 Dongguan Heling Electronic Co.,LTD
 Connector

SCALE: 1/1 UNIT: mm DWG.NO:
 SIZE: A3 PAGE: 1 OF 1 REV: A01
 APPROVED BY: XSY CHECKED BY: XSY PREPARED BY: XSY
 DICK: XSY
CUSTOMER COPY