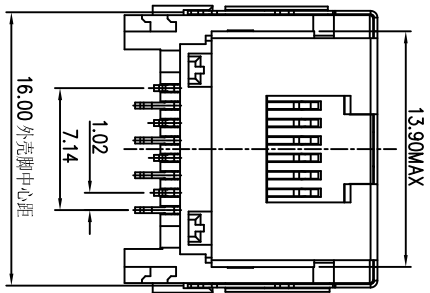
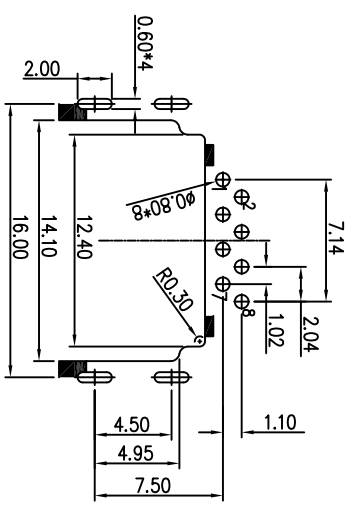
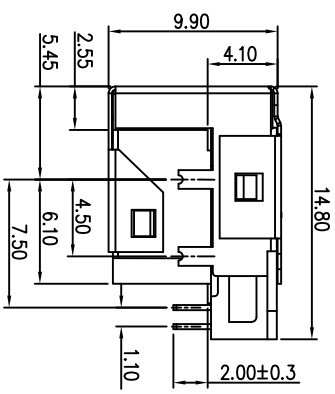
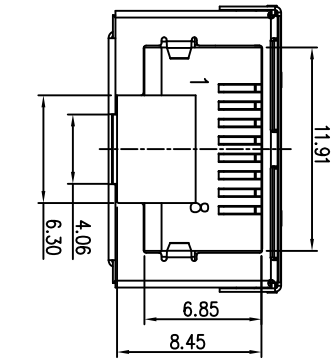
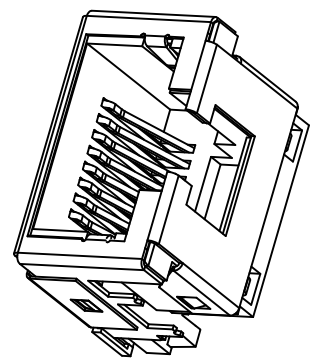
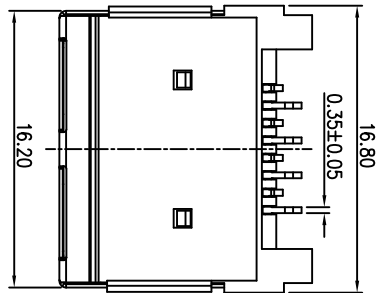


CATEGORY	DESCRIPTION	P/N #
CONNECTOR	R45 8P8C CONNECTOR H=4.1mm	MJ88B3-BX11-HRV1-X

REV.	ECN NO.	DESCRIPTION	REVISED	DATE
A01		New Release	YST	2018.11.29



MJ88B3-BX11-HRV1-X

X	Terminal Plating
0	Au 1u" Plating
1	Au 3u" Plating
2	Au 6u" Plating
3	Au 15u" Plating
4	Au 30u" Plating

X	包装方式
C	卷带包装
P	吸塑包装

Recommend PCB Layout
Jack Top View
Tolerance: ±0.05mm
THICKNESS: 1.20mm

STANDARD:
1.COMPLIES WITH F.C.C STANDARDS OF PART 68.500

ELECTRICAL:
1.VOLTAGE PATIN:125AV AC RMS
2.CURRENT RATING:1.5AMP
3.CONTACT RESISTANCE:40 MILLIOHMS MAX
4.INSULATION RESISTANCE:500 MEGOHMS MIN @500V DC
5.DIELECTRIC STRENGTH:500V AC RMS 50HZ 1MIN

MATERIAL&FINISH
HOUSING: LCP UL94V-0;BLACK
CONTACT: PHOSPHOR BRONZE;GOLD PLATING OVER NICKEL
SHELL: BRASS, Ni Plating
LED: OPTION(See Table 1)

ENVIRONMENTAL:
1.STORAGE: -40°C TO +85°C
2.OPERATION: -40°C TO +85°C

UNLESS OTHERWISE SPECIFIED TOLERANCES	DECIMALS:	ANGLES:
	X : ±0.5	X : ±2°
	X.X : ±0.3	X.X : ±1°
	X.XX : ±0.2	

<p>東莞市合陵電子有限公司 DongGuan Hejing Electronic Co.,LTD</p>		SCALE: 1/1	UNIT: mm	REV: A01	DWG.NO:
APPROVED BY	CHECKED BY	PREPARED BY			
DICK	XSY	YST			
CUSTOMER COPY					