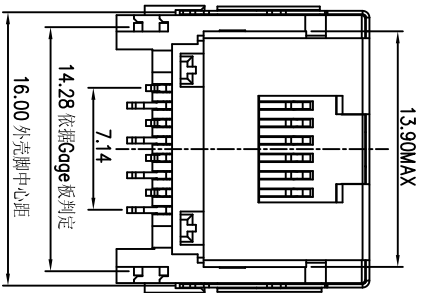
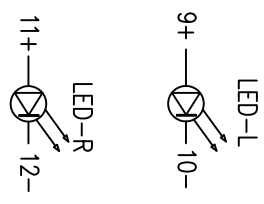
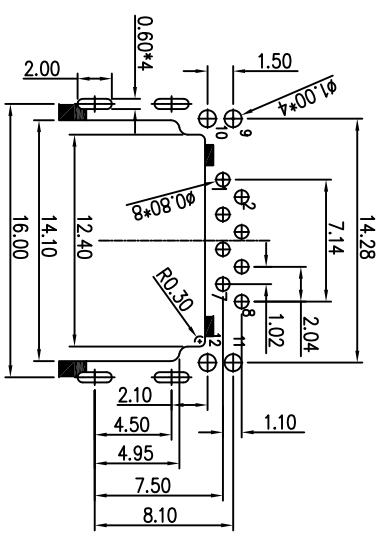
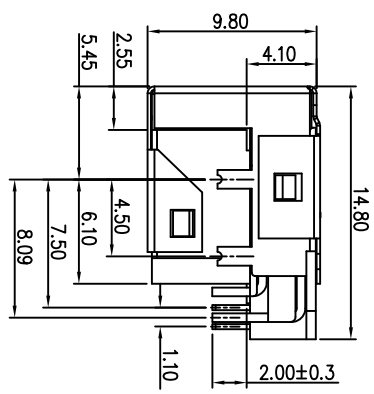
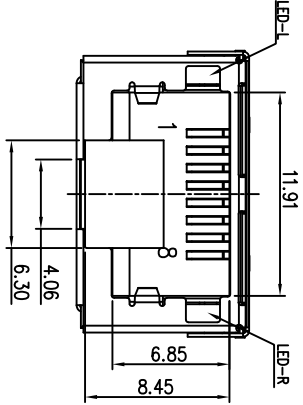
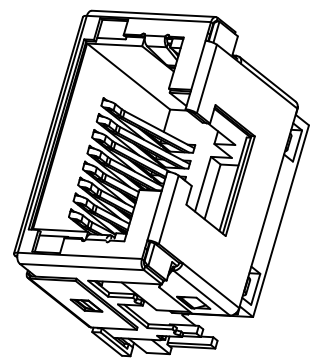
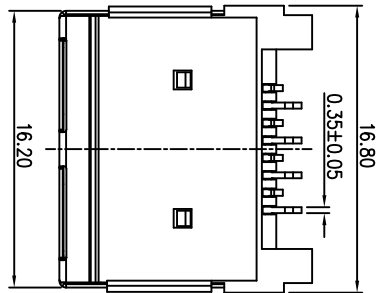


CATEGORY	DESCRIPTION	P/N #
CONNECTOR	R45 8P8C CONNECTOR H=4.1mm	MJ88B3-BX11-HPNLX1-X

REV.	ECN NO.	DESCRIPTION	REVISED	DATE
A01		New Release	YST	2018.08.01



MJ88B3-BX11-HPNLX1-X

X	Terminal Plating
0	Au 1u" Plating
1	Au 3u" Plating
2	Au 6u" Plating
3	Au 15u" Plating
4	Au 30u" Plating

X	包装方式
C	卷带包装
P	吸塑包装

X	L-LED	R-LED
1	GREEN	YELLOW
2	YELLOW	GREEN

See Table 1

Recommend PCB Layout
Jack Top View
Tolerance: ±0.05mm
THICKNESS: 1.20mm

STANDARD:
1.COMPLIES WITH F.C.C STANDARDS OF PART 68.500
ELECTRICAL:
1.VOL TAGR PATN:125AV AC RMS
2.CURRENT RATING:1.5AMP
3.CONTACT RESISTANCE:40 MILLIOHMS MAX
4.INSULATION RESISTANCE:500 MEGOHMS MIN @500V DC
5.DIELECTRIC STRENGTH:500V AC RMS 50Hz 1MIN
MATERIAL&FINISH
HOUSING: LCP UL94V-0;BLACK
CONTACT: PHOSPHOR BRONZE;GOLD PLATING OVER NICKEL
SHELL: BRASS, Ni Plating
LED: OPTION(See Table 1)
ENVIRONMENTAL:
1.STORAGE: -40°C TO +85°C
2.OPERATION: -40°C TO +85°C

UNLESS OTHERWISE SPECIFIED TOLERANCES	DECIMALS:	ANGLES:
	X : ±0.5	X : ±2°
	X.X : ±0.3	X.X : ±1°
	X.XX : ±0.2	

<p>东莞市合陵电子有限公司 Dongguan Hejing Electronic Co.,LTD</p>		SCALE:1/1	UNIT: mm	DWG.NO:
APPROVED BY	CHECKED BY	SIZE: A3	PAGE: 1 OF 1	REV:A01
DICK	XSY	PREPARED BY YST		
CUSTOMER COPY				