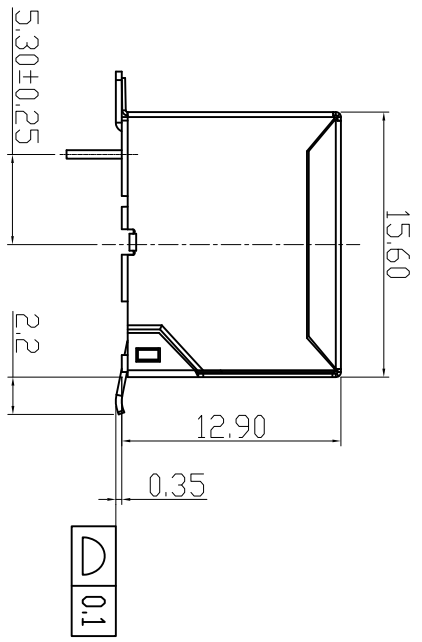
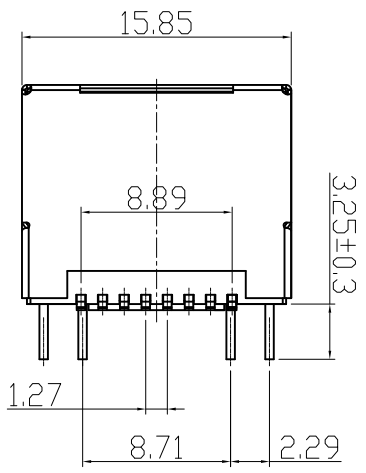
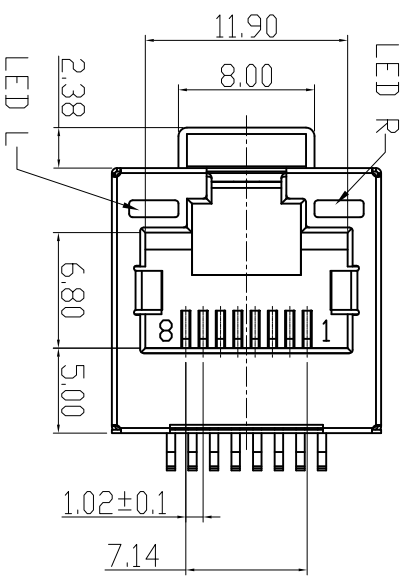


CATEGORY	DESCRIPTION	P/N #
CONNECTOR	RJ45 180度SMT带壳带灯	MJ882-BX11-H9PSLX1-X



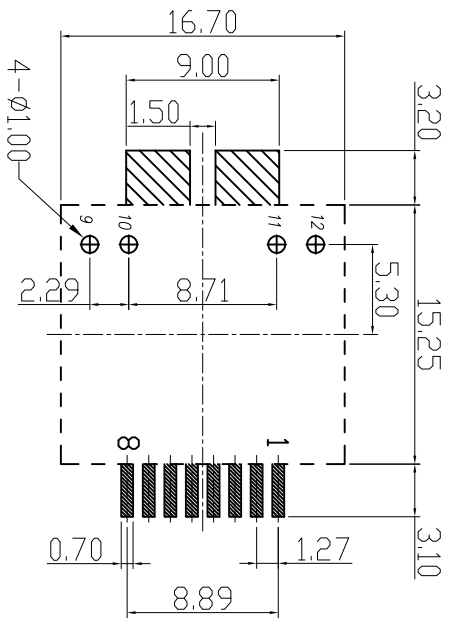
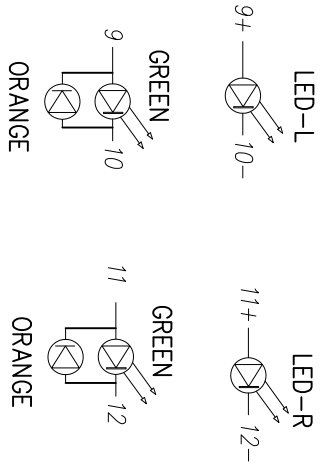
MJ882-BX11-H9PSLX1-X

X	Terminal Plating
0	Au 1u" Plating
1	Au 3u" Plating
2	Au 6u" Plating
3	Au 15u" Plating

TABLE 1

X	LED-L	LED-R
1	GREEN	YELLOW
2	YELLOW	GREEN
4	GREEN/ORANGE	YELLOW
5	YELLOW	GREEN/ORANGE
A1	GREEN	GREEN/ORANGE

X	包装方式
C	卷带包装
P	吸塑盒包装



Recommend PCB Layout
(Jack Top View)
Tolerance: ±0.05mm

REV.	ECN NO	DESCRIPTION	REVISED	DATE
A01	—	New Release	XSY	2015.09.15
A02	—	新增 LED灯规格	XSY	2017.11.15
A03	—	新增 包装选项	LXY	2019.10.23

- SPECIFICATION
- VOLTAGE RATING: 125 VAC RMS.
 - CURRENT RATING: 1.5 AMP
 - CONTACT RESISTANCE: 40 mΩ MAX
 - INSULATION RESISTANCE: 500MΩ MIN.
 - WITHSTAND VOLTAGE: AC1000V RMS 50Hz or 60Hz MIN.
 - OPERATING TEMPERATURE: -40°C~+80°C

g	LED-R	1	See Table 1	Tin PALTING	
f	LED-L	1	See Table 1	Tin PALTING	
e	SHELL	1	BRASS T=0.2mm	Ni PALTING	
d	ME	1	BRASS T=0.35mm	Tin PALTING	
c	TERMINAL	8	PHOSPHOR BRONZE T=0.35mm	Au/Tin PALTING	
b	INSERT	1	LCP UL94V-0	BLACK	
a	HOUSING	1	PA9T UL94V-0	BLACK	
NO.	PART NAME	Q'TY	MATERIAL	PLATING & COLOR	Remark

UNLESS OTHERWISE SPECIFIED TOLERANCES

DECIMALS: ANGLES:

X : ±0.5 X : ±2°

XX : ±0.3 XX : ±1°

XXX : ±0.2

东莞市合陵电子有限公司
 Dongguan Heling Electronic Co.,LTD

SCALE: 1/1 UNIT: mm
 SIZE: A3 PAGE: 1 OF 1 REV: A03
 APPROVED BY: _____ CHECKED BY: _____ PREPARED BY: _____
 DICK: XSY LXY

CUSTOMER COPY