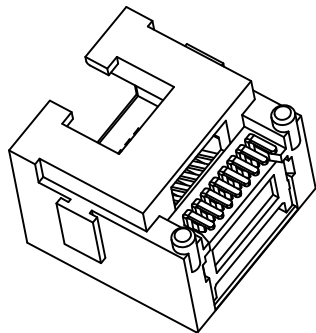
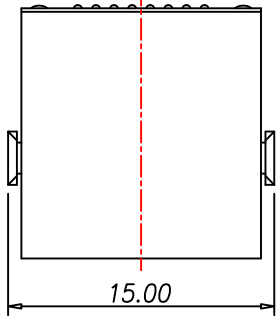


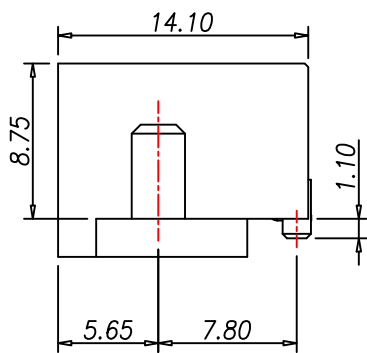
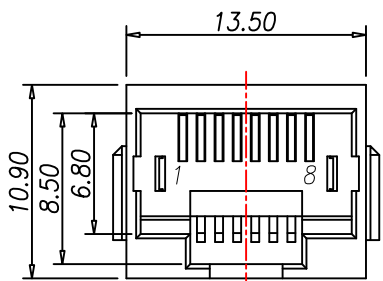
4	3	2	1
CATEGORY	DESCRIPTION	P/N #	
CONNECTOR	RJ45 SMT沉板全塑H=8.75	MJ88-BX11-J9RN1-P	

REV.	ECN NO	DESCRIPTION	REVISED	DATE
A01		New Release	YST	2021.09.26



SPECIFICATIONS:

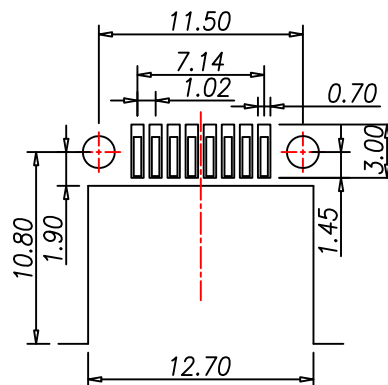
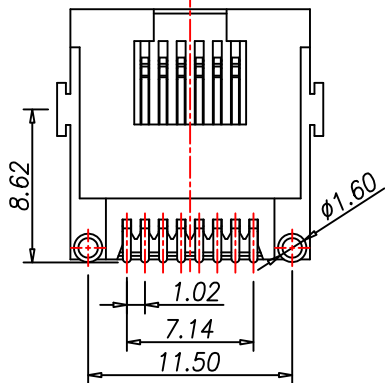
1. Voltage: 150V AC RMS
2. Current Rating: 1.5A
3. Contact Resistance: 40mΩ MAX.
4. Insulation Resistance: 500MΩ MIN.
5. Dielectric Withstang Voltage :1000V AC
6. Operature Temperature: -40°C~80°C
7. Durability: 750 Mating Cycles MIN.



MJ88-BX11-J9RN1-P

Material & Plating

X	Terminal Plating
0	Au 1u" Plating
1	Au 3u" Plating
2	Au 6u" Plating



Recommend PCB Layout
(Jack Top View)
Tolerance: ±0.05mm

NO.	PART NAME	Q'TY	MATERIAL	PLATING & COLOR	Remark
b	Terminal	8	Phosphor Bronze	Au/Matte-Tin Plating	
a	Housing	1	PA9T UL94V-0	Black	

UNLESS OTHERWISE SPECIFIED TOLERANCES		SCALE:1/1	UNIT: mm	DWG.NO:	
		SIZE: A3	PAGE:1 OF 1	REV:A01	
DECIMALS:		ANGLES:		APPROVED BY	CHECKED BY
X :±0.5		X :±2°		DICK	XSY
X.X :±0.3		X.X :±1°		PREPARED BY	
X.XX :±0.2				YST	
CUSTOMER COPY					



東莞市合陵電子有限公司
DongGuan HeLing Electronic Co.,LTD