

4	3	2	1
CATEGORY	DESCRIPTION	P/N #	
CONNECTOR	RJ45 10/100Mbps with LED	MJ1A-B211-RLX2T001-0	

REV.	ECN NO	DESCRIPTION	REVISED	DATE
A01		整理图画	WTF	2016.06.30

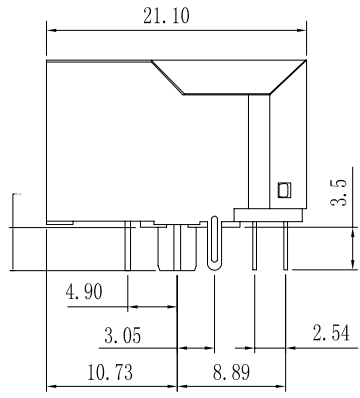
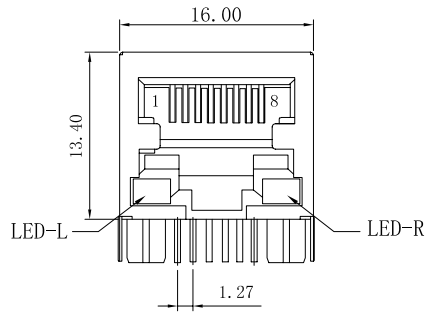
ELECTRICAL SPECIFICATIONS @ 25°C+/-5°C

Insertion Loss: 1-100MHZ -1.0dB MAX  
 Return Loss: 1-30MHZ -16.0dB MIN  
 30-60MHZ -14.0dB MIN  
 60-80MHZ -10.0dB MIN

Cross Talk: 1-30MHZ -40.0dB MIN  
 30-60MHZ -35.0dB MIN  
 60-80MHZ -30.0dB MIN

Turn Ratio: 1CT:1CT+/-3%

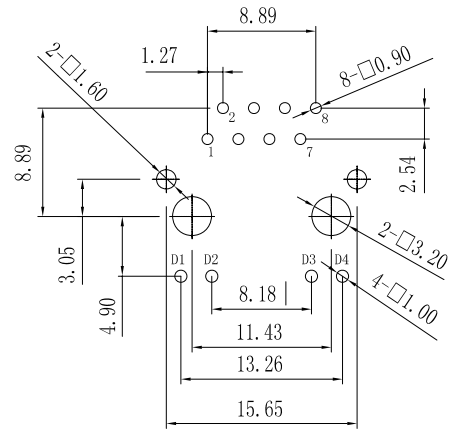
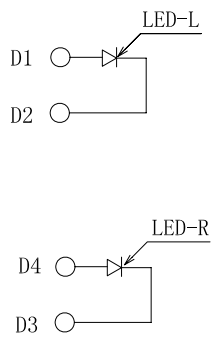
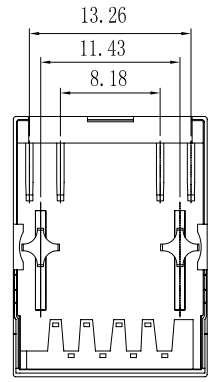
CMR:1-100MHZ -35.0dB MIN  
 Hi-Pot: 1000v AC 2S 1mA  
 OCL:350uH MIN @ 100KHZ 100mV 8mA DC  
 Operating temperature range:0°C to +70°C



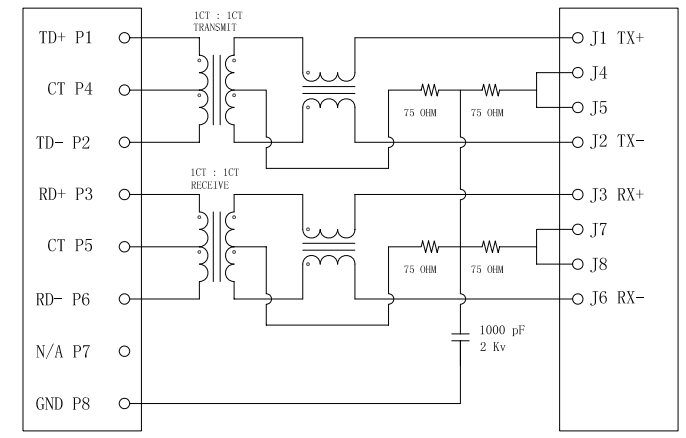
MJ1A-B211-RLX2T001-0

TABLE 1

X	LED-L	LED-R
1	GREEN	YELLOW
2	YELLOW	GREEN



Recommend PCB Layout  
 (Jack Top View)  
 Tolerance: ±0.05mm  
 Recommend PCB Thickness: 1.6mm



g	LED-R	1	See Table1	Tin PALTING	
f	LED-L	1	See Table1	Tin PALTING	
e	SHELL	1	BRASS	Ni PALTING	
d	SOLDER TERMINAL	8	BRASS	Tin PALTING	
c	CONTACT TERMINAL	8	PHOSPHOR BRONZE	Au 6u" PALTING	
b	COVER	1	PBT UL94V-0	BLACK	
a	HOUSING	1	PBT UL94V-0	BLACK	
NO.	PART NAME	Q'TY	MATERIAL	PLATING & COLOR	Remark

東莞市合陵電子有限公司  
 DongGuan HeLing Electronic Co.,LTD

UNLESS OTHERWISE SPECIFIED TOLERANCES	SCALE:1/1	UNIT: mm	DWG.NO:	
	SIZE: A3	PAGE:1 OF 1	REV:A01	
DECIMALS: X :±0.5 X.X :±0.3 X.XX :±0.2	ANGLES: X :±2° X.X :±1°	APPROVED BY	CHECKED BY	PREPARED BY
		DICK	XSX	WTF
<b>CUSTOMER COPY</b>				