

GT-EVA01AA-L1

Manufacture
GT=G-Switch

Product name
E=Encoder

Type
V=Vertical

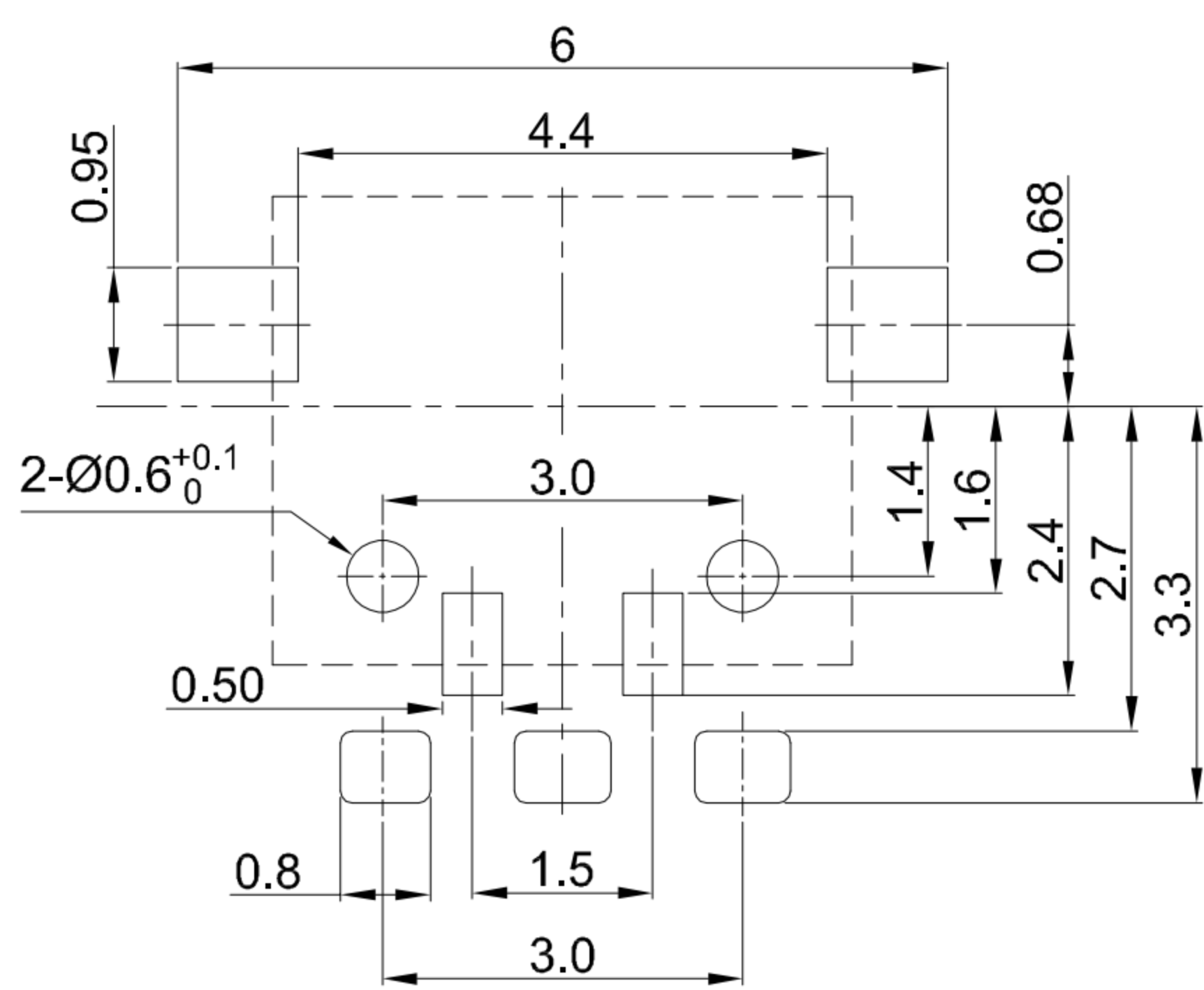
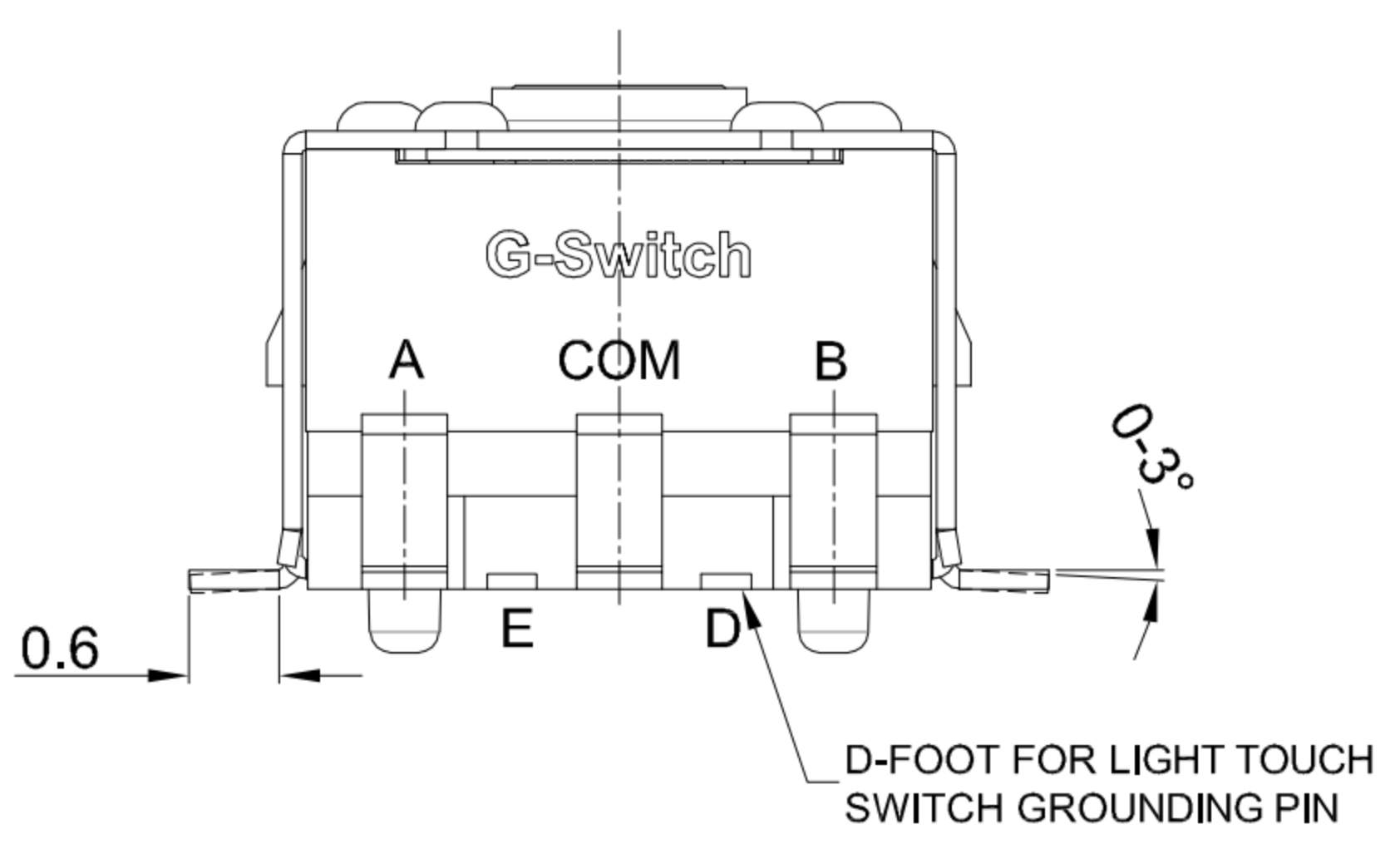
Pulse
A=12 Pulse 12 clic
B=6 Pulse 6 clic

Switch Lifetime
L1=100,000 Cycles

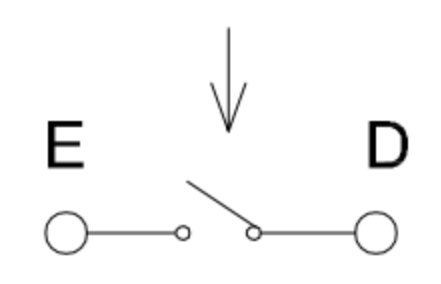
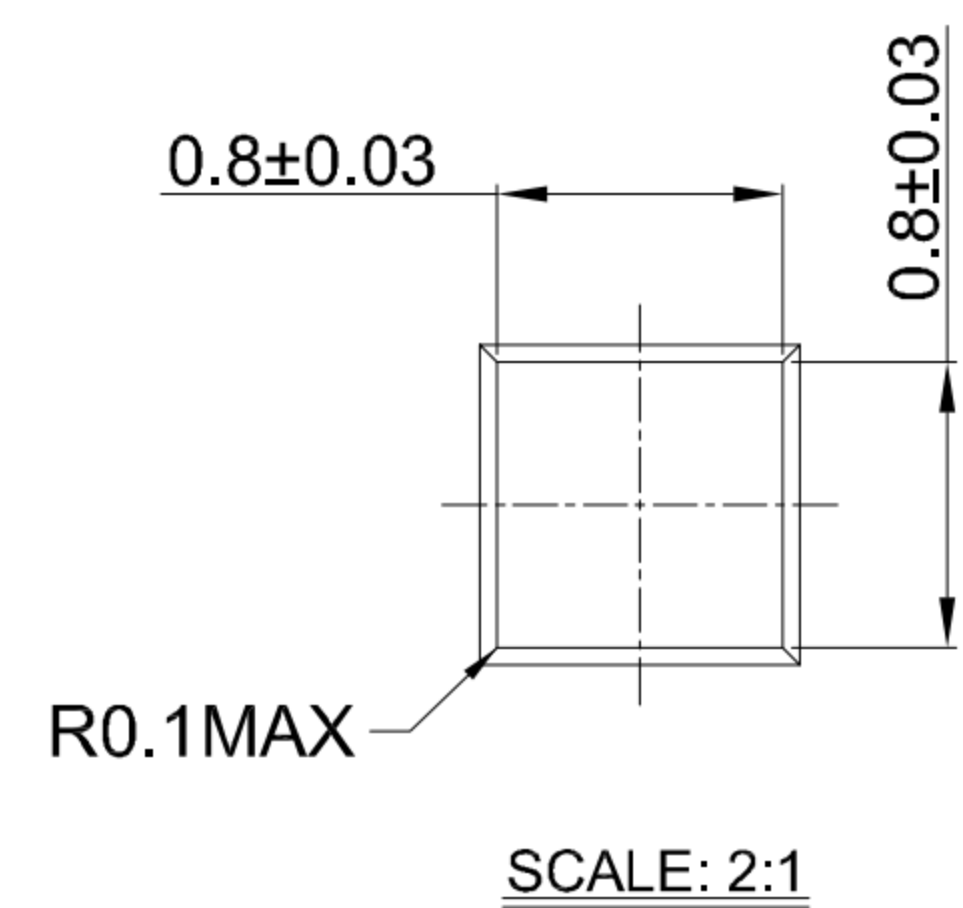
Switch function
A=With switch
N=No switch

Operating Force
A=200gf With cc
B=200gf NT CC

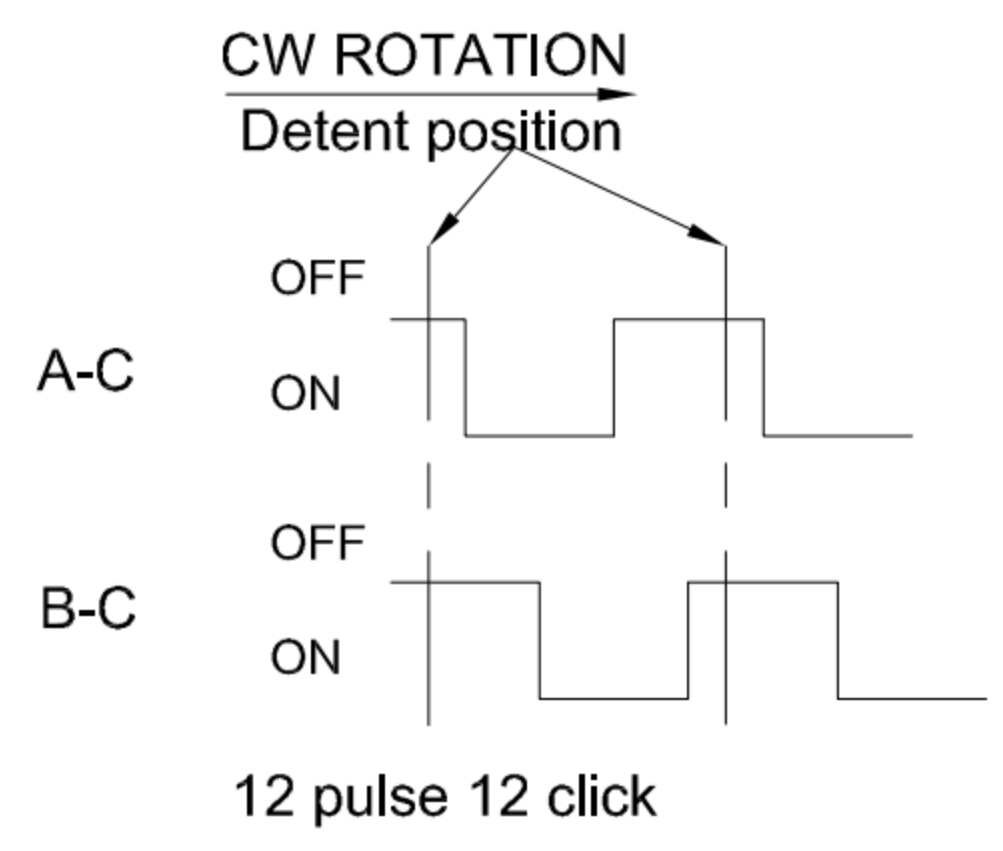
Code
01=Type 1



RECOMMENDED PCB LAYOUT
TOLERANCE:±0.05



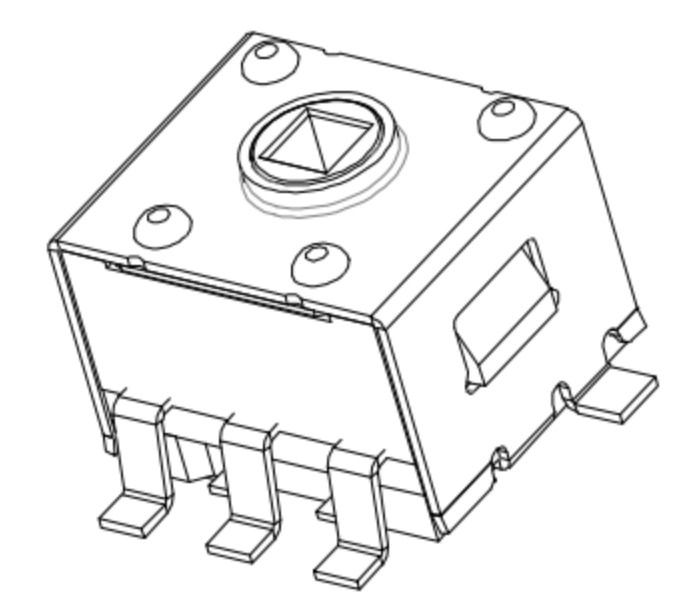
CIRCUIT DIAGRAM



G-Switch Specification:

1. Operating temperature range: -40°C ~ +85°C
2. Rating: 50mA.12V DC
3. Insulation resistance: 100MΩ min.100V DC
4. Dielectric strength: 100V AC for 1 min
5. Contact resistance: 100m Ω max.
6. Travel: 0.15±0.05mm

ITEM	NAME	MATERIAL
1	COVER	
2	ANCHOR PLATE	COPPER ALLOY(5191)
3	WHEEL GEAR	STAINLESS STEEL STRIPS(SUS301)
4	BASE	ENGINEERING PLASTIONS(PA46)
5	CONTACTSPRING	ENGINEERING PLASTIONS(PA46)
6	TERMINAL	COPPER ALLOY(5210)
7	TACT TERMINAL	COPPER ALLOY(5191)
8	PEDESTAL	ENGINEERING PLASTIONS(PA46)
9	SHRAPNEL	STAINLESS STEEL (SUS304)
10	MEMBRANE	PI



SCALE: 1:1 UNIT: mm
SIZE: A4

Title: Vertical Encoder With Switch
SMT 4.8×3.9×3.5mm 12P/12C

Molde Code: GT-EVA01AA-L1

Unless otherwise
General Tolerance:
X. ±0.30
X.x ±0.20
X.xx ±0.15
X° ±3°

DRAWN	CHECKED	APPROVED	DATE
Xia	Chen	Chen	2023.02.01



REV: A0 SHEET: 1/1