

Aug.1.2023 Copyright 2023 HIROSE ELECTRIC CO., LTD. All Rights Reserved.  
 In case of consideration for using Automotive equipment / device which demand high reliability, kindly contact our sales window correspondents.

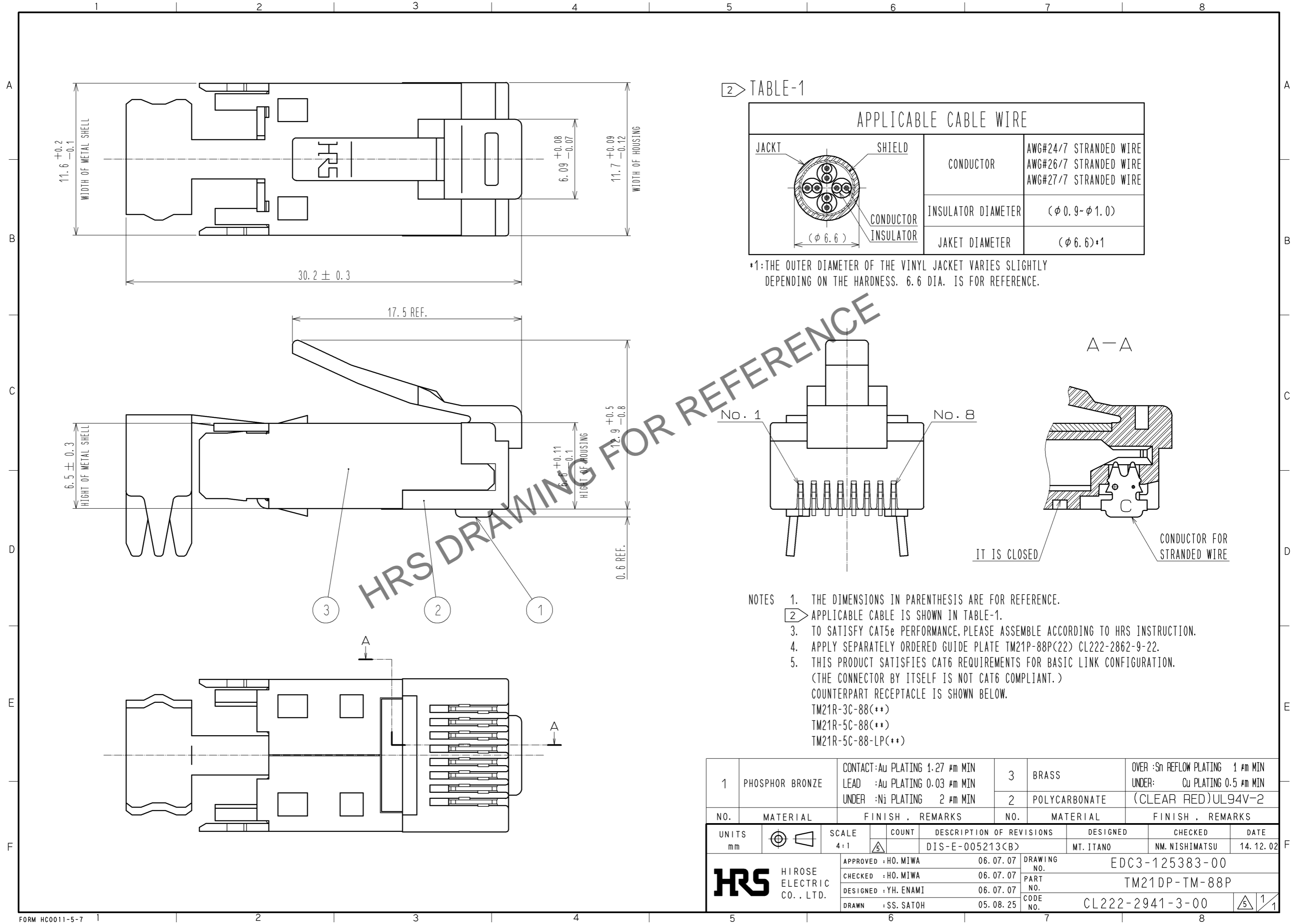
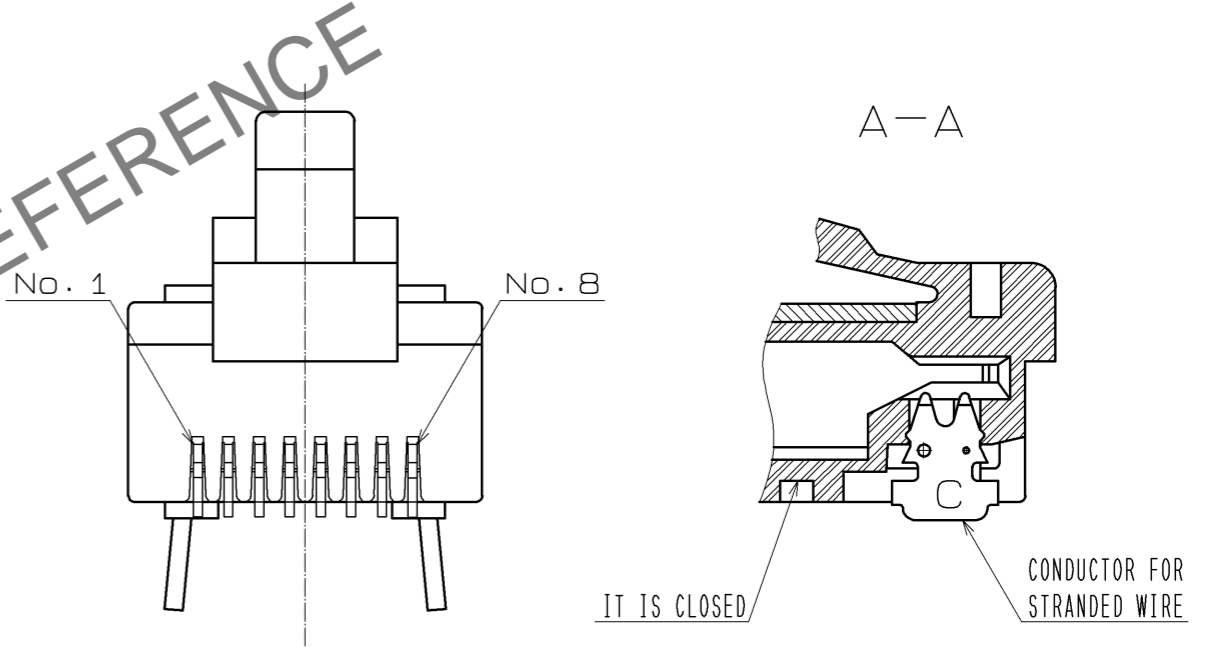


TABLE-1

APPLICABLE CABLE WIRE			
	CONDUCTOR	AWG#24/7 STRANDED WIRE AWG#26/7 STRANDED WIRE AWG#27/7 STRANDED WIRE	
	INSULATOR DIAMETER	(φ 0.9~φ 1.0)	
	JAKET DIAMETER	(φ 6.6)*1	

\*1: THE OUTER DIAMETER OF THE VINYL JACKET VARIES SLIGHTLY DEPENDING ON THE HARDNESS. 6.6 DIA. IS FOR REFERENCE.



- NOTES
1. THE DIMENSIONS IN PARENTHESIS ARE FOR REFERENCE.
  2. APPLICABLE CABLE IS SHOWN IN TABLE-1.
  3. TO SATISFY CAT5e PERFORMANCE, PLEASE ASSEMBLE ACCORDING TO HRS INSTRUCTION.
  4. APPLY SEPARATELY ORDERED GUIDE PLATE TM21P-88P(22) CL222-2862-9-22.
  5. THIS PRODUCT SATISFIES CAT6 REQUIREMENTS FOR BASIC LINK CONFIGURATION. (THE CONNECTOR BY ITSELF IS NOT CAT6 COMPLIANT.)  
 COUNTERPART RECEPTACLE IS SHOWN BELOW.  
 TM21R-3C-88(\*\*)  
 TM21R-5C-88(\*\*)  
 TM21R-5C-88-LP(\*\*)

1	PHOSPHOR BRONZE	CONTACT : Au PLATING 1.27 μm MIN LEAD : Au PLATING 0.03 μm MIN UNDER : Ni PLATING 2 μm MIN	3	BRASS	OVER : Sn REFLOW PLATING 1 μm MIN UNDER : Cu PLATING 0.5 μm MIN		
			2	POLYCARBONATE	(CLEAR RED)UL94V-2		
NO.	MATERIAL	FINISH . REMARKS	NO.	MATERIAL	FINISH . REMARKS		
UNITS mm		SCALE 4:1	COUNT 	DESCRIPTION OF REVISIONS DIS-E-005213(B)	DESIGNED MT. ITANO	CHECKED NM. NISHIMATSU	DATE 14. 12. 02
<b>HRS</b> HIROSE ELECTRIC CO., LTD.		APPROVED : HO. MIWA	06. 07. 07	DRAWING NO. EDC3-125383-00			
		CHECKED : HO. MIWA	06. 07. 07	PART NO. TM21DP-TM-88P			
		DESIGNED : YH. ENAMI	06. 07. 07	CODE NO. CL222-2941-3-00			
		DRAWN : SS. SATOH	05. 08. 25				