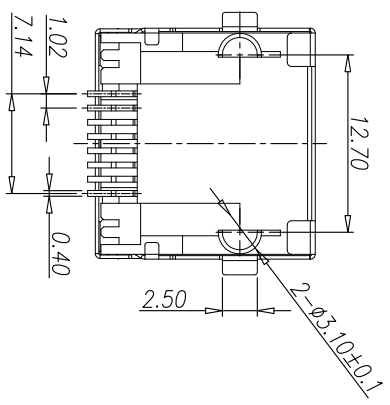
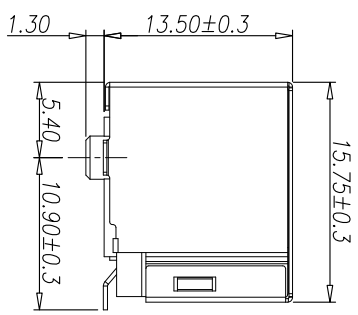
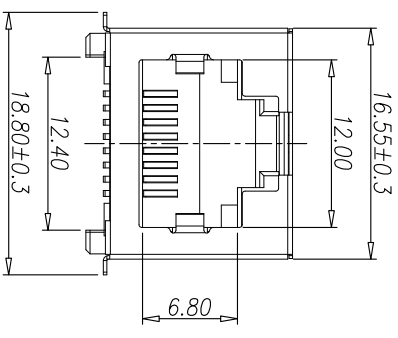
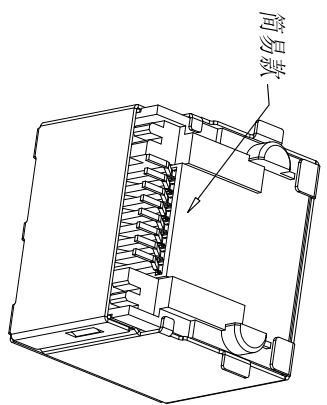


| | | |
|-----------|------------------------------|--------------------|
| CATEGORY | DESCRIPTION | P/N # |
| CONNECTOR | RJ45 90° WITH SHELL SMT TYPE | MJ56882-BX11-HR1-X |

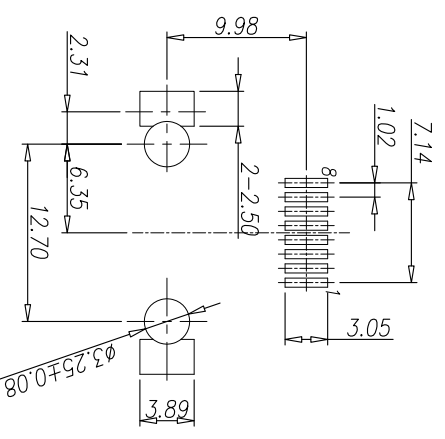
| | | | | |
|------|--------|-------------|---------|------------|
| REV. | ECN NO | DESCRIPTION | REVISED | DATE |
| A01 | | 新图面发行 | XSY | 2019.06.18 |

- SPECIFICATION
- VOLTAGE RATING: 125 VAC RMS.
 - CURRENT RATING: 1.5 AMP
 - CONTACT RESISTANCE: 40 mΩ MAX
 - INSULATION RESISTANCE: 500MΩ MIN.
 - WITHSTAND VOLTAGE: AC 500V RMS 60s.
 - OPERATING TEMPERATURE: -40°C~+80°C



MJ56882-BX11-HR1-X

| | |
|---|-----------|
| X | 包装方式 |
| C | 卷带包装190/卷 |
| P | 吸塑盒包装 |




RECOMMEND PCB LAYOUT
Jack Top View
PCB LAYOUT TOLERANCE: ±0.05mm.

| | |
|---|------------------|
| X | Terminal Plating |
| 0 | Au 1u" Plating |
| 1 | Au 3u" Plating |
| 2 | Au 6u" Plating |
| 3 | Au 15u" Plating |
| 4 | Au 30u" Plating |
| 5 | Au 50u" Plating |

| | | | | | |
|-----|-----------|-----|--------------------------|-----------------------|--------|
| c | Shell | 1 | Brass T=0.25mm | Ni 30u" Min | |
| b | Terminal | 8 | Phosphor Bronze T=0.30mm | Au/Bright-Tin Plating | |
| a | Housing | 1 | LCP U194V-0 | Black | |
| NO. | PART NAME | QTY | MATERIAL | PLATING & COLOR | Remark |

UNLESS OTHERWISE SPECIFIED TOLERANCES

| | |
|--------------|-----------|
| DECIMALS: | ANGLES: |
| X : ±0.5 | X : ±2° |
| X.X : ±0.3 | X.X : ±1° |
| X.XX : ±0.2 | |
| X.XXX : ±0.1 | |


东莞市合陵电子有限公司
Dongguan Heling Electronic Co.,LTD

SCALE: 1/1 UNIT: mm DWG.NO:

SIZE: A3 PAGE: 1 OF 1 REV: A01

| | | |
|-------------|------------|-------------|
| APPROVED BY | CHECKED BY | PREPARED BY |
| DICK | XSY | XSY |

CUSTOMER COPY