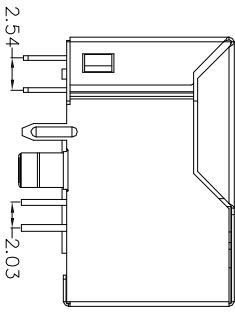
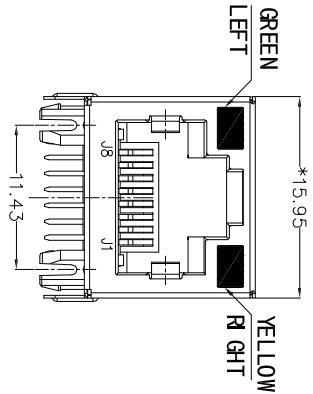


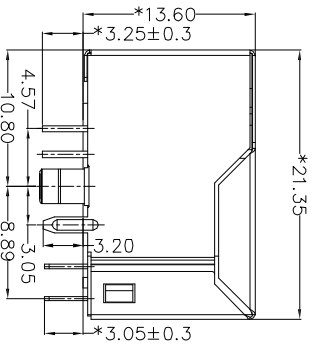
TOP VIEW



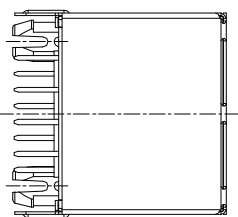
LEFT SIDE VIEW



FRONT VIEW



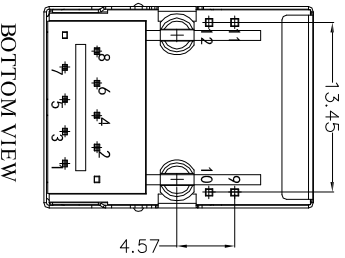
RIGHT SIDE VIEW



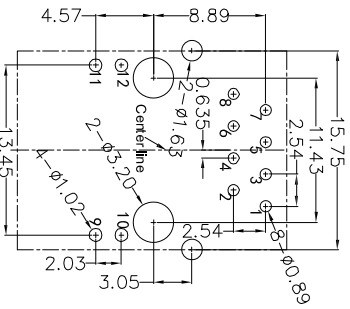
BACK VIEW

MATERIAL:
HOUSING: PBT, UL94V-0, BLACK.
TERMINALS BRACKET: PBT, UL94V-0, BLACK.
SHIELD: C2680, T=0.20MM, NICKEL PLATING ON ALL AREA.
TERMINAL: PHOSPHOR BRONZE C5210, T=0.35MM,
 6U" GOLD PLATING ON CONTACT AREA.

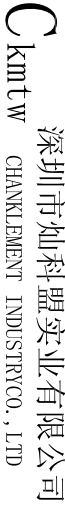
MECHANICAL:
DURABILITY: 750 CYCLES MIN.
MATING FORCE: 23N MAX.
OPERATING TEMPERATURE: -40°C~+85°C.
STORAGE TEMPERATURE: -40°C~+85°C.
ALL CRITICAL DIMENSIONS WITH ""**



BOTTOM VIEW

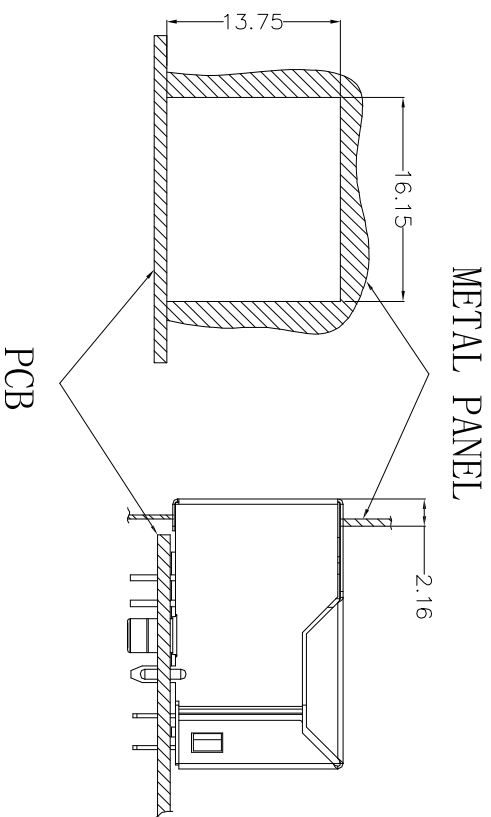


RECOMMENDED PCB LAYOUT
ME WED FROM COMPONENT SIDE

APPROVED:	DATE:	 深圳市灿科盟实业有限公司 CHANKLEMENT INDUSTRYCO., LTD			
CHECKED:	DATE:	TITLE: 百兆网口			
DRAWN:		R-J145R08P-D006			
DATE:		UNIT	SCALE		
L. YAN		mm	Free	REV.	A0 KYD0
2020-08-17		FILE NO.	Ckmtw-RJ45-0263		

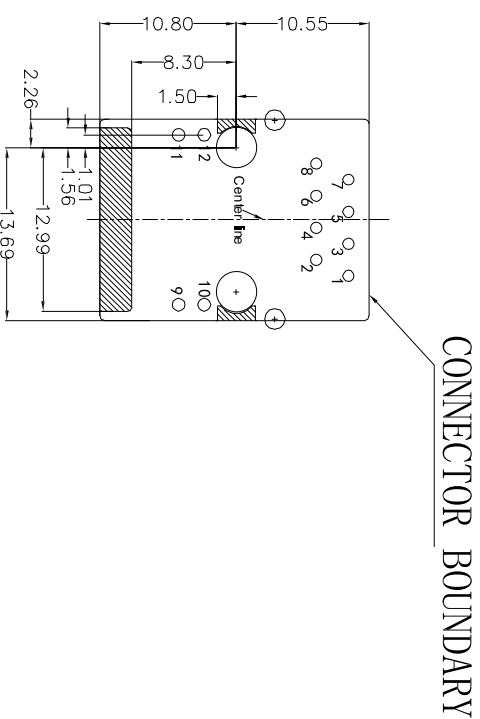
RJ45-10P/8C TAD-UP H=21.35 带灯 无弹 带滤波器 十字脚

RECOMMENDED PANEL CUTOUT (REFERENCE ONLY) :



UNIT : MM / INCH
 TOLERANCES : ± 0.10 / 0.004
 REFERENCE ONLY

KEEP-OUT AREA (COMPONENT SIDE VIEW) :

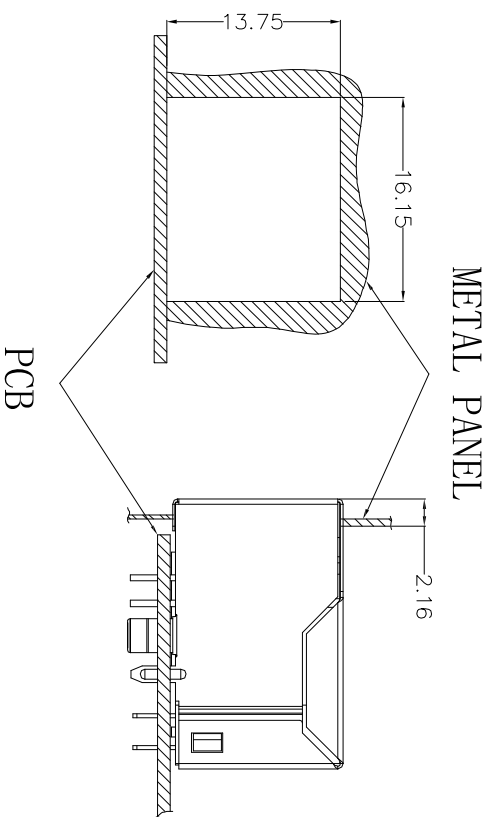


PLUG-IN SIDE

UNIT : MM / INCH
 TOLERANCES : ± 0.10 / 0.004

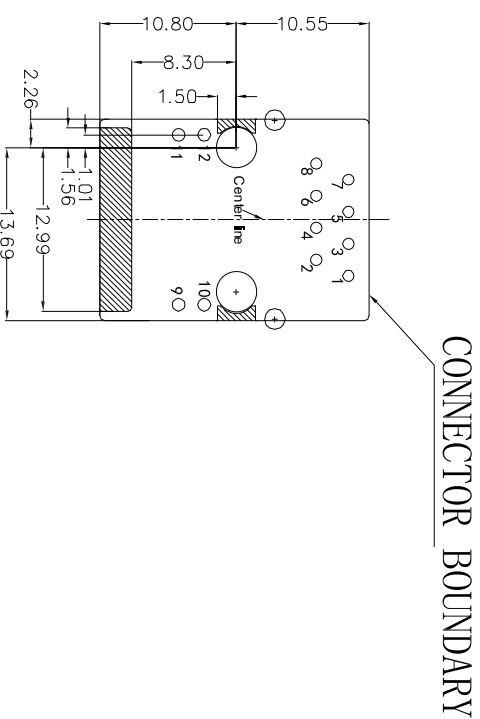
APPROVED:	DATE:	深圳市灿科盟实业有限公司 CHANKLEMENT INDUSTRYCO., LTD			
CHECKED:	DATE:	TITLE: 百兆网口			
DRAWN:	DATE:	RJ45-10P/8C TAN-UP H=21.35 带灯 无弹 带滤波器 十字脚			
L. YAN	2020-08-17	PART. NO.	R-RJ45R08P-D006	UNIT	mm
		SCALE	Free	REV.	A0 KYD0
		FILE NO.	Ckmtw-RJ45-0263		

RECOMMENDED PANEL CUTOUT (REFERENCE ONLY) :




UNIT : MM / INCH
 TOLERANCES : ± 0.10 / 0.004
 REFERENCE ONLY

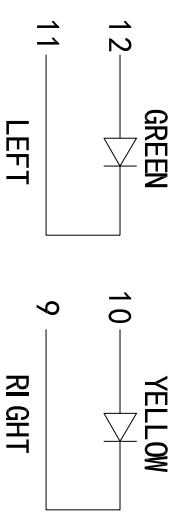
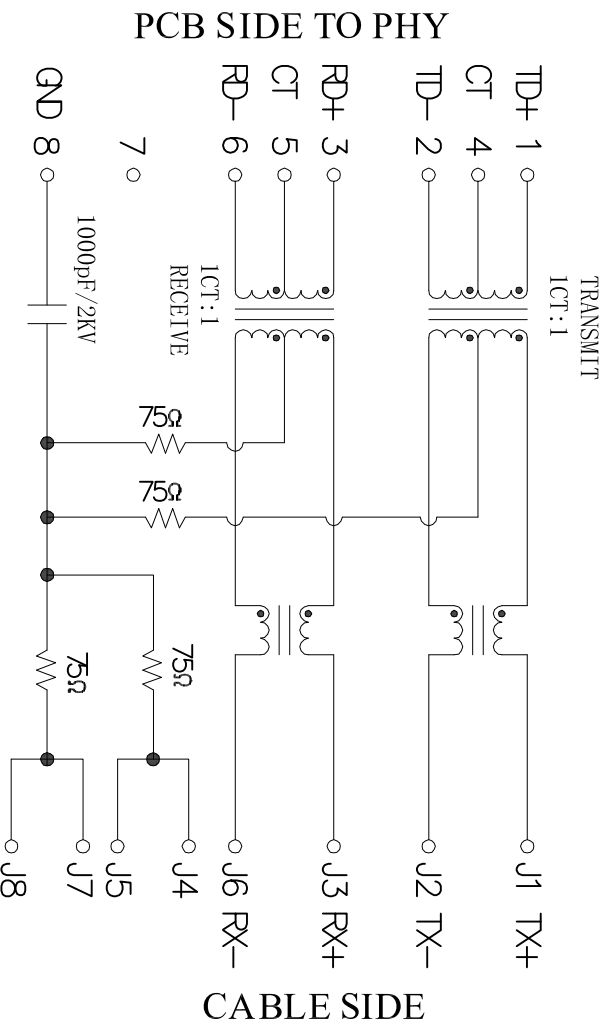
KEEP-OUT AREA (COMPONENT SIDE VIEW) :



PLUG-IN SIDE

UNIT : MM / INCH
 TOLERANCES : ± 0.10 / 0.004

APPROVED:	DATE:	 深圳市灿科盟实业有限公司 CHANKLEMENT INDUSTRYCO., LTD			
CHECKED:	DATE:	TITLE: 百兆网口			
DRAWN:	DATE:	RJ45-10P/8C TAN-UP H=21.35 带灯 无弹 带滤波器 十字脚			
L. YAN	2020-08-17	PART. NO.	R-RJ45R08P-D006	UNIT	mm
		SCALE	Free	REV.	A0 KYD0
		FILE NO.	Ckmtw-RJ45-0263		



Electrical:

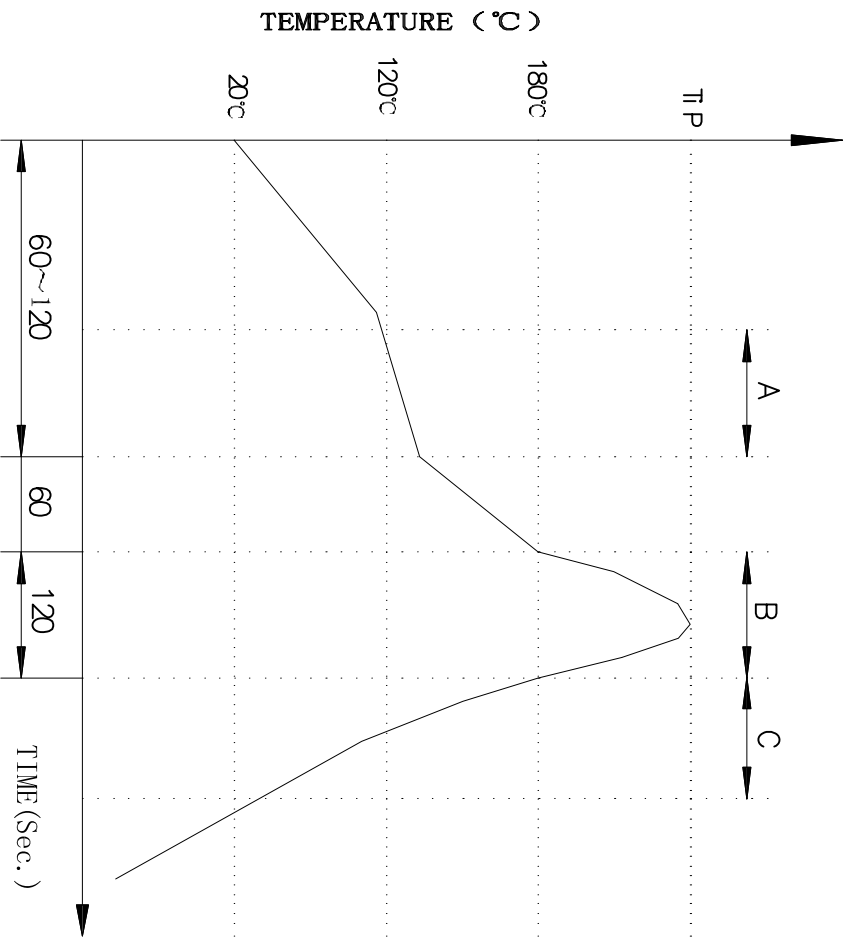
1. Turn ratio: 1~2: J1 ~ J2=1 CT: 1 CT (±2%), 3~6: J3~J6=1 CT: 1 CT (±2%).
2. OCL: 350uH Min at 100KHz 100mV 8mA D
3. Insertion Loss: -1.0 dB Max 1~100MHz.
4. Return loss: -20dB Min 1~10MHz, -16dB Min 10~30MHz, -12dB Min 30~60MHz, -10dB Min 60~80MHz.
5. Cross talk: -40dB Min 1~30MHz, -35dB Min 30~60MHz, -30dB Min 60~100MHz;
6. CMR: -30dB Min 1~100MHz;
7. Hi-Pot: 1500V AC & 2250V DC 6S 1mA PRI TO SEC

LED Specification

Standard LED Color	LED Wavelength	Foward(A)	Foward(V)
Green	568nm	20mA	1.85-2.45V
Yellow	585nm	20mA	1.7-2.2V

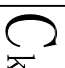
APPROVED:	DATE:	深圳市灿科盟实业有限公司 CHANKLEMENT INDUSTRYCO., LTD			
CHECKED:	DATE:	TITLE: 百米网口			
DRAWN:	DATE:	RJ45-10P/8C TAN-UP H=21.35 带灯 无弹 带滤波器 十字脚			
L. YAN	2020-08-17	PART. NO.	R-RJ45R08P-D006	UNIT	mm
		SCALE	Free	REV.	A0
		FILE NO.	Ckmtw-RJ45-0263	REV.	KYD0

PROFILE OF WAVE SOLDER



A. Preheating B. Soldering C. Gradual Cooling
 Tip temperature: $260 \pm 5^{\circ}\text{C}$.
 Tip temperature time: 5 Sec Max.
 Tip melting point of Sn96.5/Ag3/Cu0.5: 217°C .

Remarks: after wave soldering, the plastic position columns of the product which under the PCB will be slightly melted, but it won't affect its function.

APPROVED:	DATE:	 深圳市灿科盟实业有限公司 CHANKLEMENT INDUSTRYCO., LTD			
CHECKED:	DATE:	TITLE: 百兆网口 RJ45-10P/8C TAB-UP H=21.35 带灯 无弹 带滤波器 十字脚			
DRAWN:	DATE:	PART. NO.	UNIT	SCALE	REV.
L. YAN	2020-08-17	R-RJ45R08P-D006	mm	Free	A0 KYD0
		FILE NO.			
		Ckmtw-RJ45-0263			