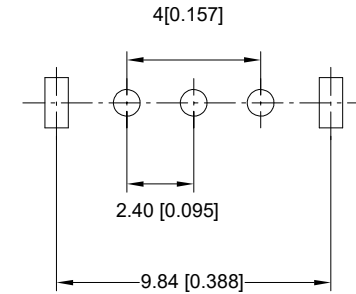
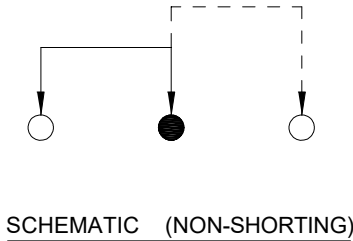
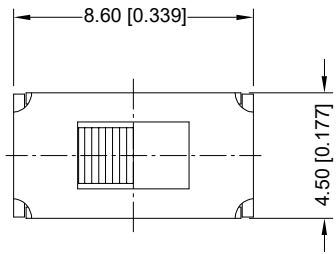
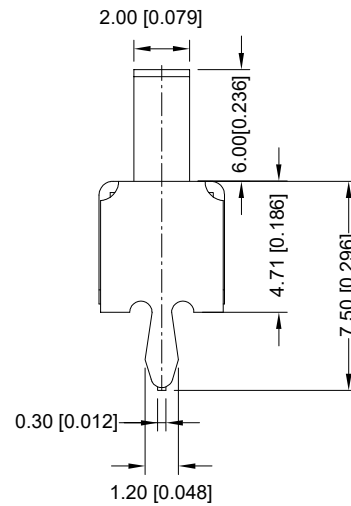
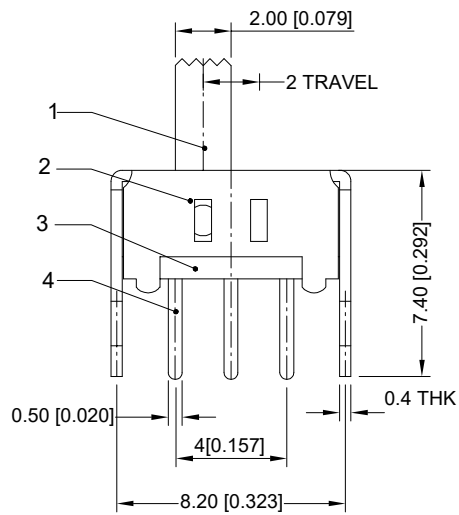


A B C D E F G



P.C.B LAYOUT
BOTTOM VIEW

RATING	0.3A 50V DC
CIRCUIT	1P2T
CONTACT RESISTANCE	100mΩ MAX
TRAVEL	2mm
OPERATING FORCE	250±100gf
OPERATING LIFE(CYCLES)	10,000



4	Terminal	3	Brass(0.30t)	ag Plated
3	Base	1	Phenolic Resin	
2	Cover	1	SUS	Natural
1	Keystake	1	PA66	Black
ITEM	PAPT NAME	QTY	MATERIAL	FINISHING

A4				
A3				
A2				
A1				
REV	DATE	REVISION	DESCRIPTION	ISSUE



COMMON TOLERANCE

X.XX	± 0.10
X.X	± 0.15
X	± 0.25
ANGULAR	—

UNIT	MM	PROJECTED		PRODUCT NAME:
DRAWN BY	FUYUAN	CHECKED BY	COCO	MODEL NO: SS-12D07-6
DATE	2019	APPROVAL B	ALEN	Https: www.rocpu.tw
ROCPU TECHNOLOGY CO.,LTD				
Copies are issued in strict confidence and shall not be reproduced or copied, or used as the basis of manufacture or sale of apparatus without permission				