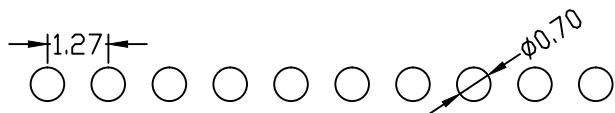
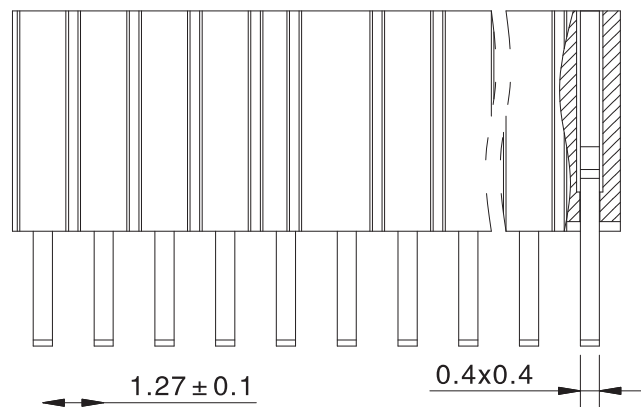
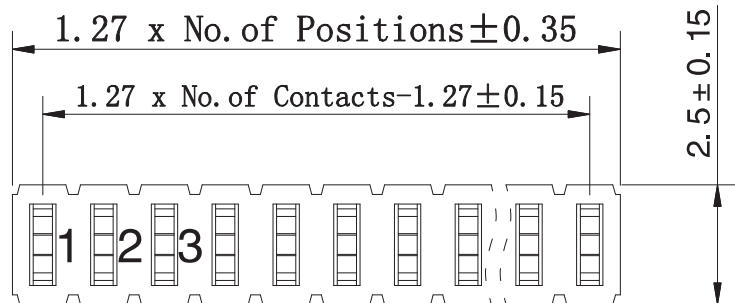
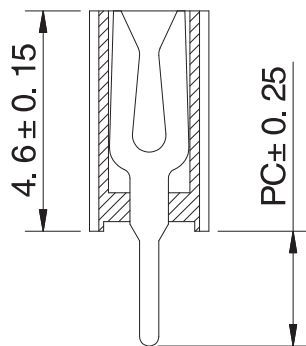


RoHS

REV.	ECN NO.	DESCRIPTION	DESIGN	APPROVAL	DATE
A1	NEW	更换图框			2023.09.05



PCB LAYOUT



技术参数(SPECIFICATIONS)

额定电流(Current rating) : 1A
 额定电压(Voltage rating) : 250V AC DC
 耐压值(Withstand voltage) : 500V AC
 绝缘电阻(Insulation resistance) : 1000M
 接触电阻(Contact resistance) : 20m
 工作温度(Working temperature) : -40 ~ +105
 材料 (MATERIAL)
 绝缘体(Insulator Material) : PA6T UL 94V-0 Black
 接触材料(Contact Material): Phosphor Bronze
 电镀(Contact Plating) : Gold-Flash
 匹配型号(Matching model) : PZ127 series

Dimension antitheses list(尺寸对照表)

项目	H	PC	W				
常规尺寸	4.6	2.4 3.0	2.5				
客户需要							

产品名称说明:

PM127V-11-xx-H46-X
 1 2 3 4

- 1.序列号
- 2.Pin位数:01-50
- 3.塑高:4.6=H46
- 4.引脚长度:空=2.4 A=1.6 B=3.0

X.±0.50	X.°±
.X±0.25	.X°±
.XX± 0.15	.XX°±
.XXX±0.10	.XXX°±
UNITS:	mm

THESE DRAWINGS AND SPECIFICATIONS ARE THE PROPERTY OF XFCN AND SHALL NOT BE REPRODUCED, COPIED OR CUED IN ANY MANNER WITHOUT THE PRIOR WRITTEN CONSENT OF XFCN

PART NO.:	PM127V-11-xx-H46
TITLE:	1.27mm排母单排直型
APPD:	
CHKD:	
DRAW:	Tong.Deng 2023.09.05

XFCN兴飞连接器

0769-82001899

www.xfconn.com

DWG NO:	/		
SCALE	SHEET	REV.	
NONE	1/1	A1	