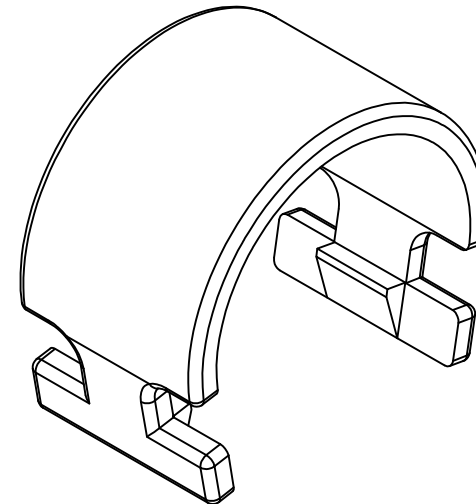
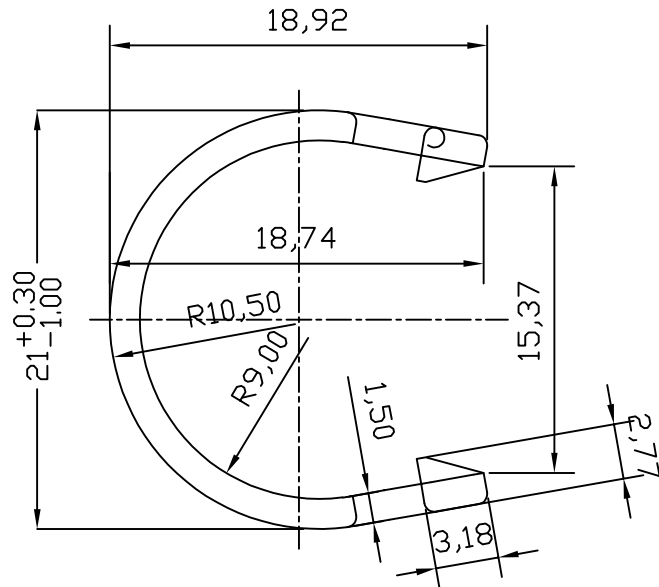
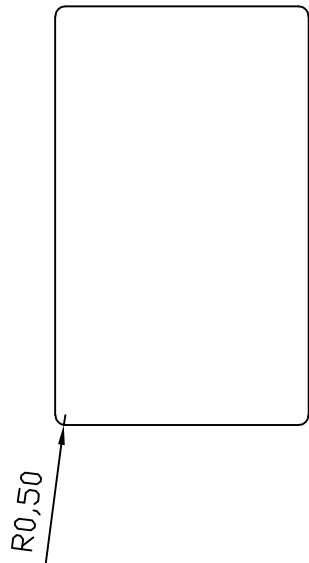
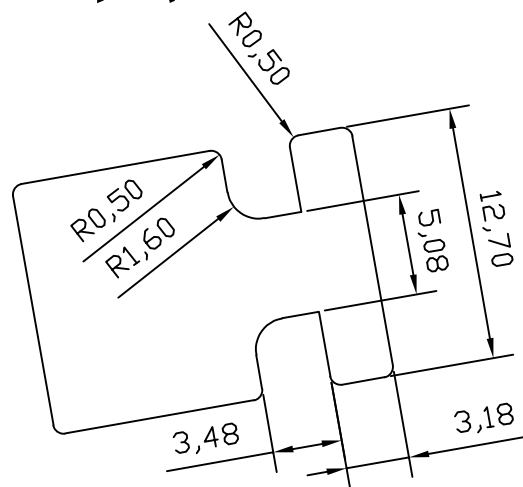




REV.	7	8
ECN NO.		
REVISED		
DATE		



A向



A向图

工程部
2020-05-21
H. WANG

UNLESS OTHERWISE SPECIFIED TOLERANCES		MYOUNG 美阳 www.meiyangdz.com	
DECIMALS: X :±0.30 X.X :±0.25 X.XX :±0.20 X.XXX :±0.10	ANGLES: X :±1° X.X :±0.5°	DSND YangFeng	DATE 2020-05-19
WEIGHT:		CHKD ZhouRuicai	DATE 2020-05-19
SHEET 1 OF 1		APVD XueShunyong	DATE 2020-05-19
SCALE:		SIZE: A4	VIEW:
UNIT: mm		REV.: A/1	OBJECT: MY
		TITLE: 电池盒BH-123A-1J DIP 卡盖	
		PART NO.: BH-123AKG-01	
		DRAW NO.:WD-CP-0079	

1	HOUSING	1	ABS	BLACK
NO.	PART NAME	Q'TY	MATERIAL	PLATING & COLOR