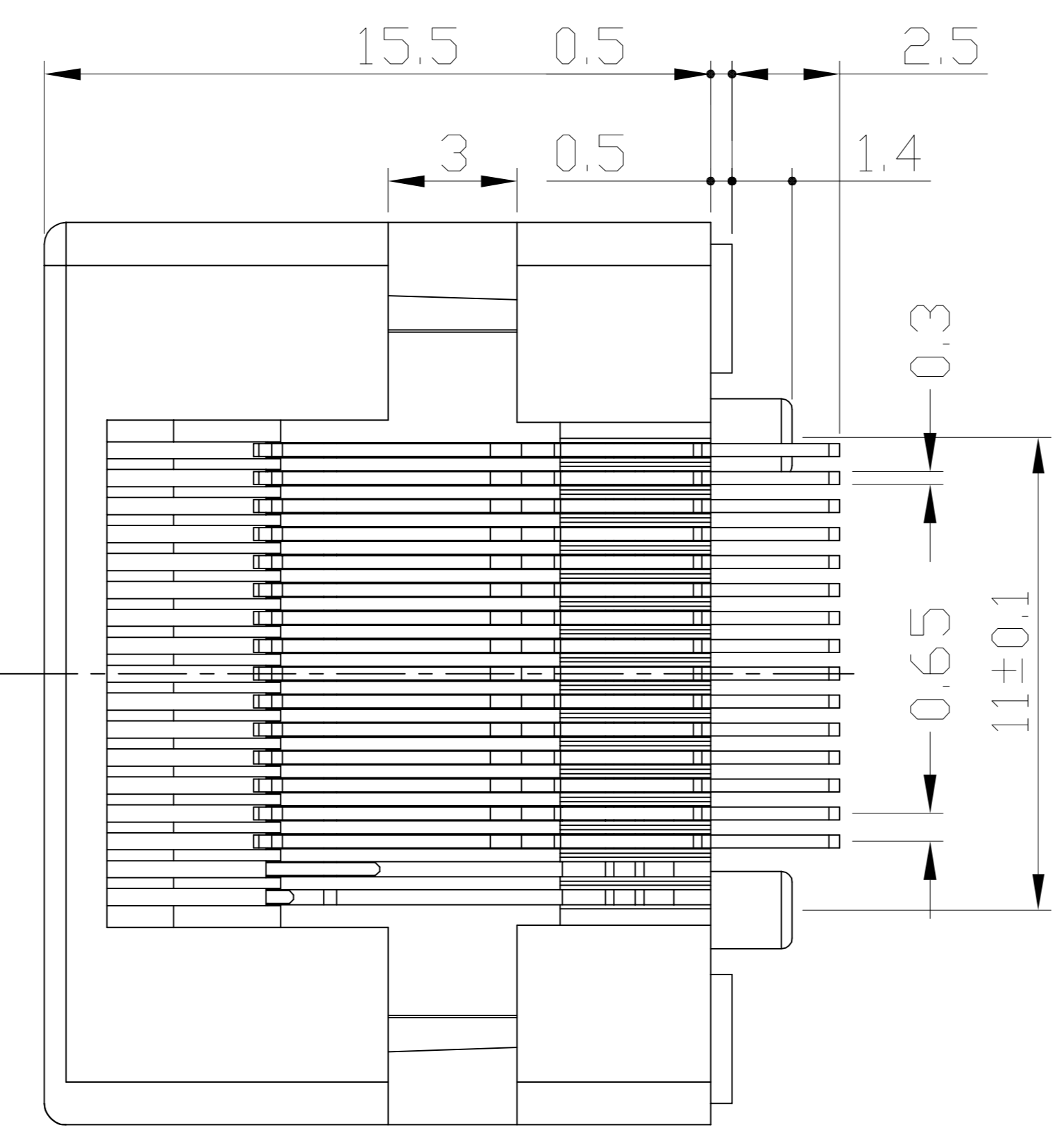
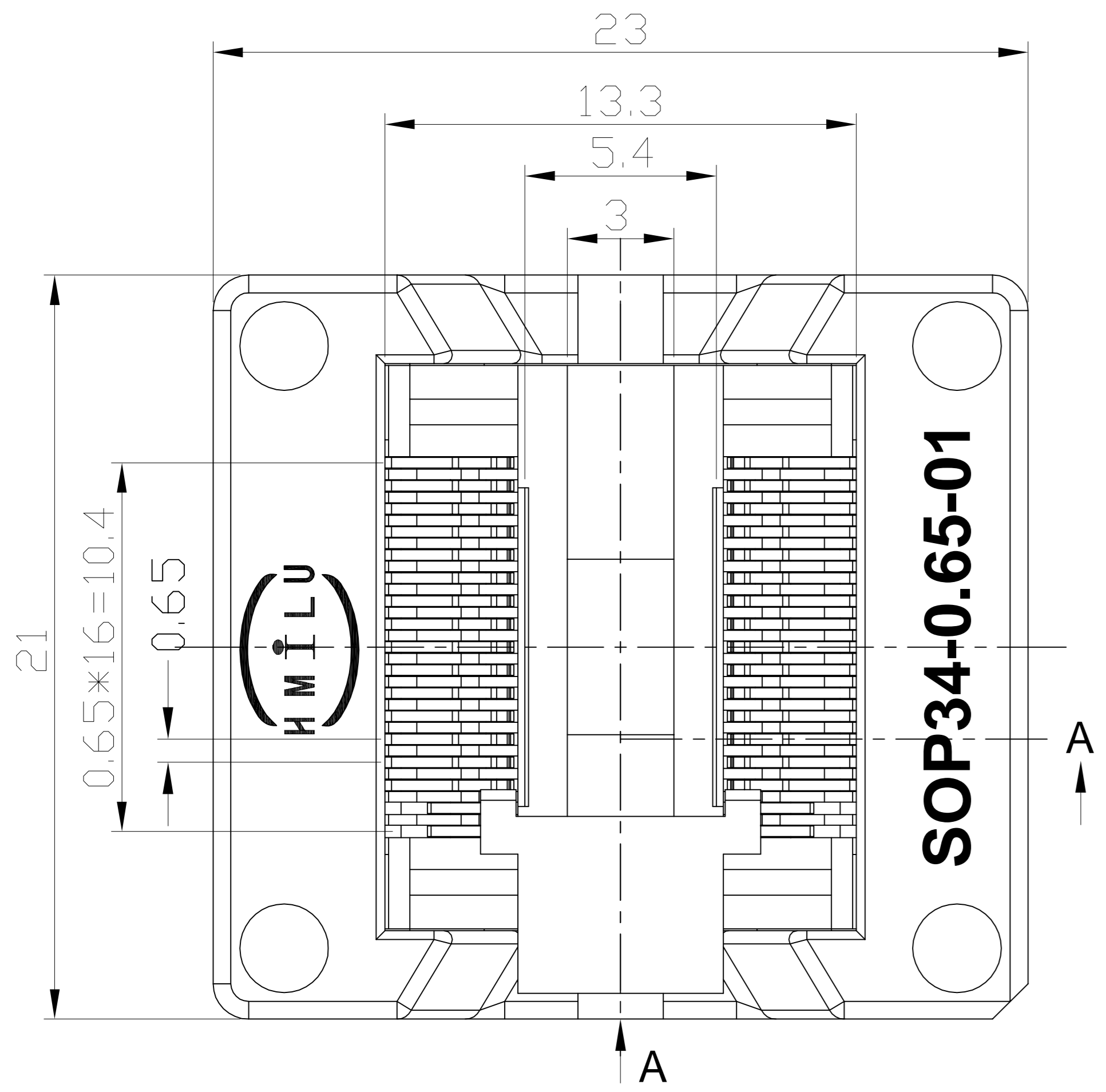
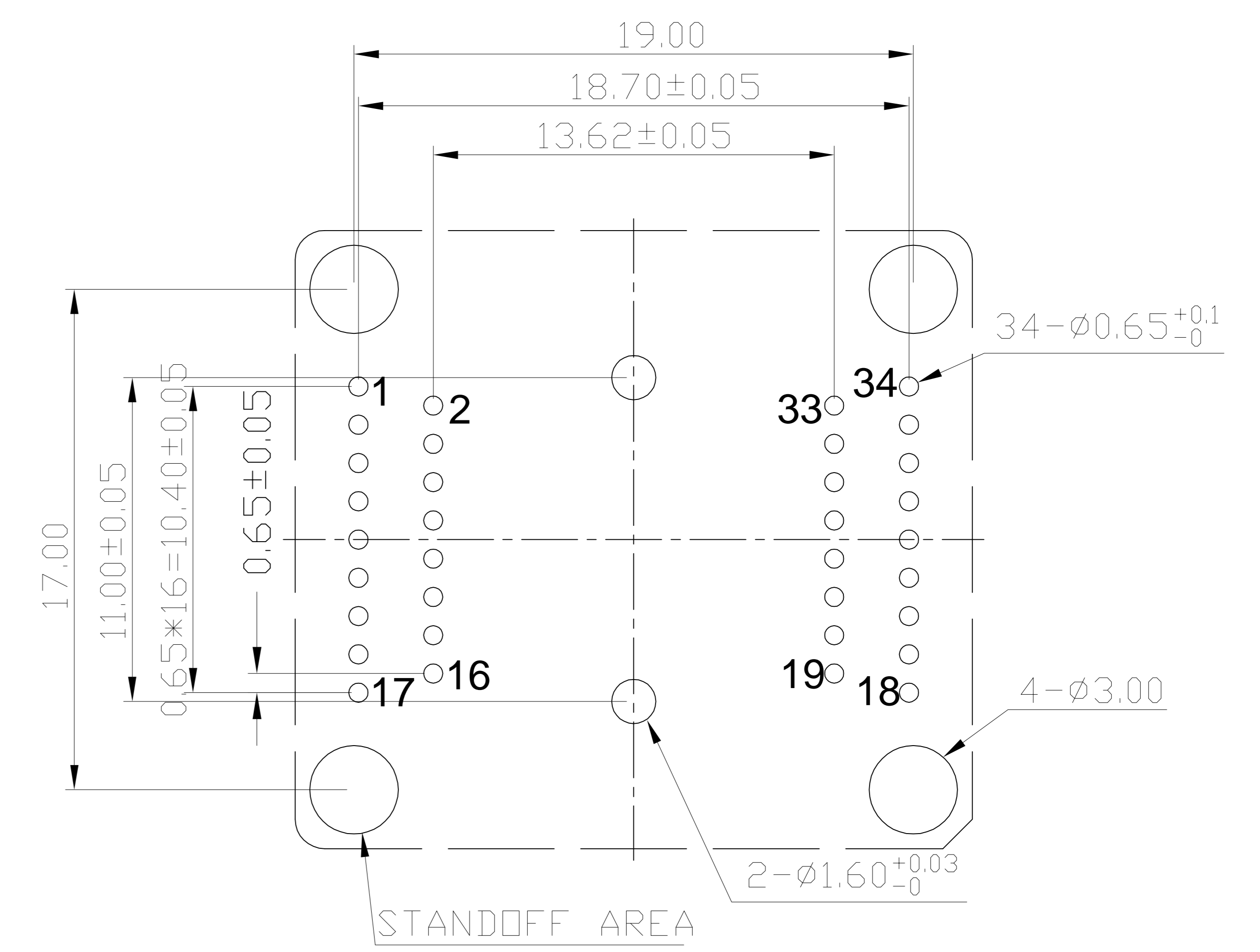


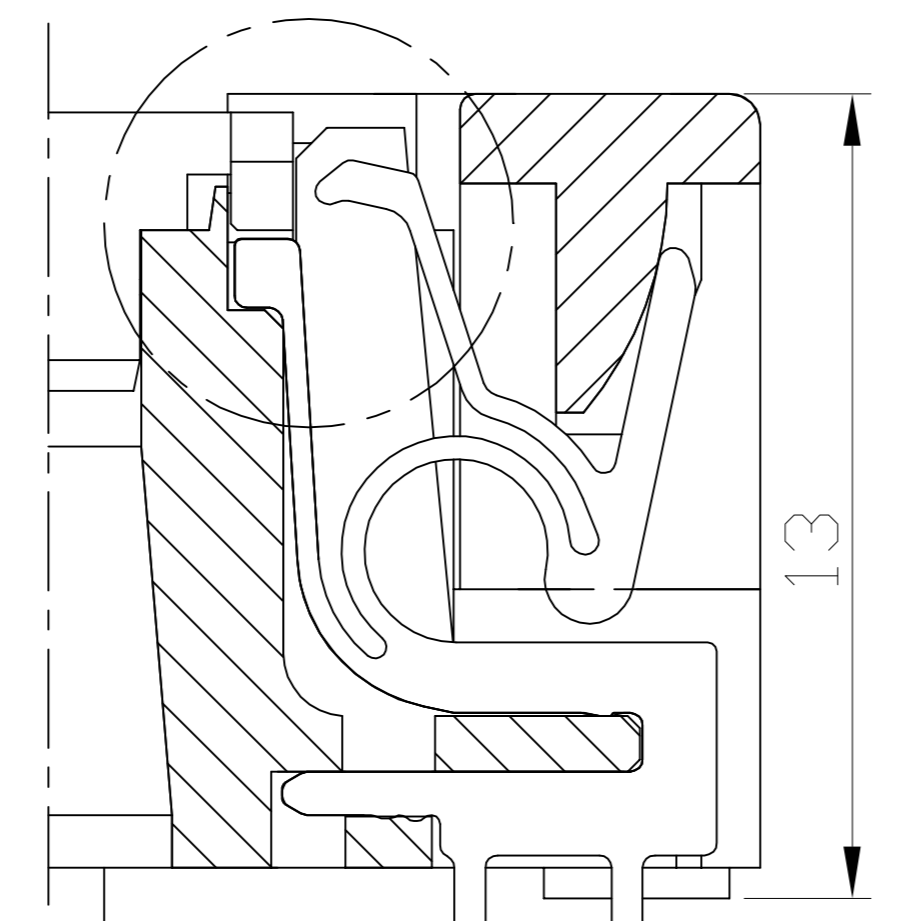
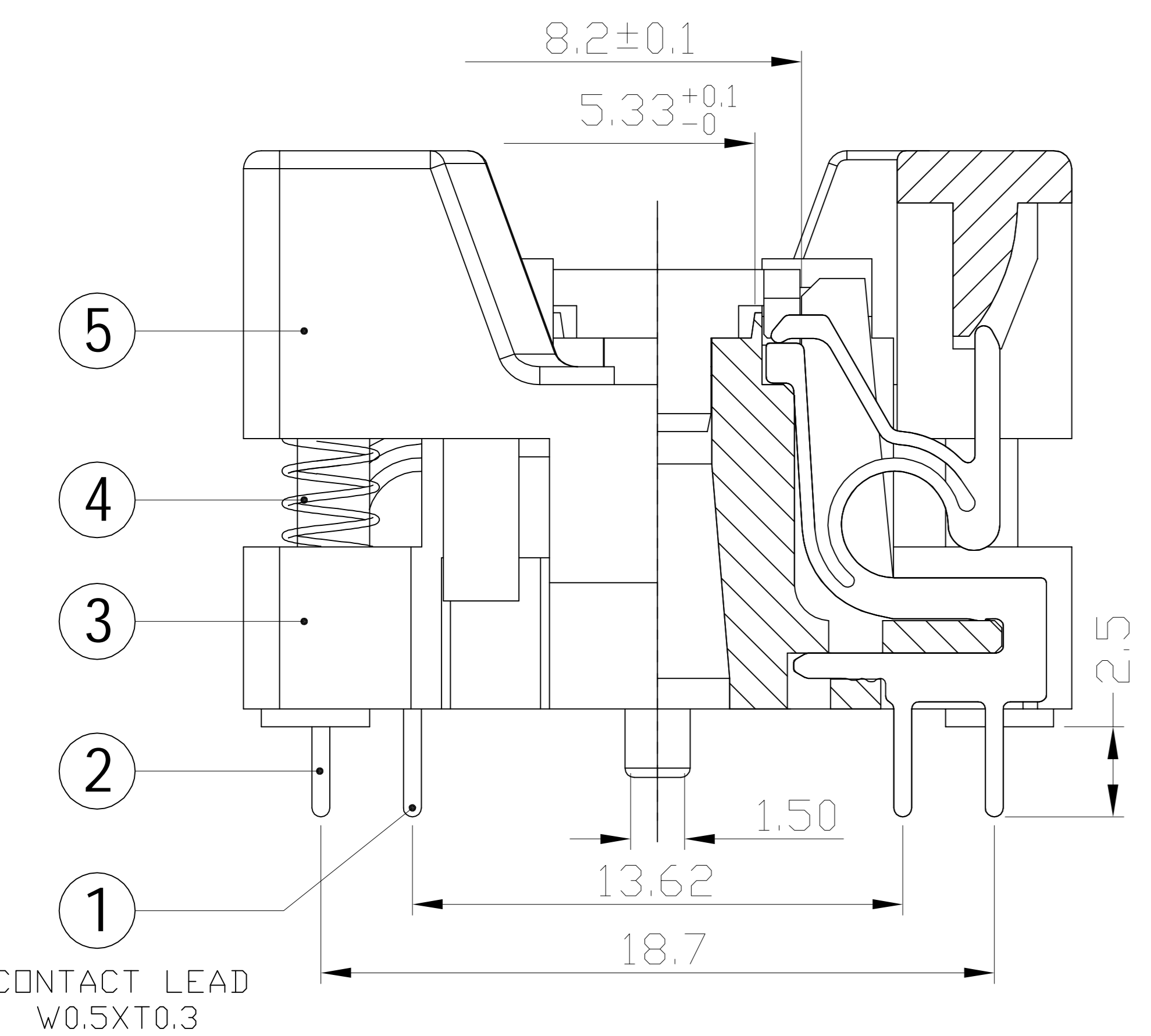
REVISION	DESCRIPTION	CHECK	APP	DATE	REV. NOTICE. NO
1					
2					
3					



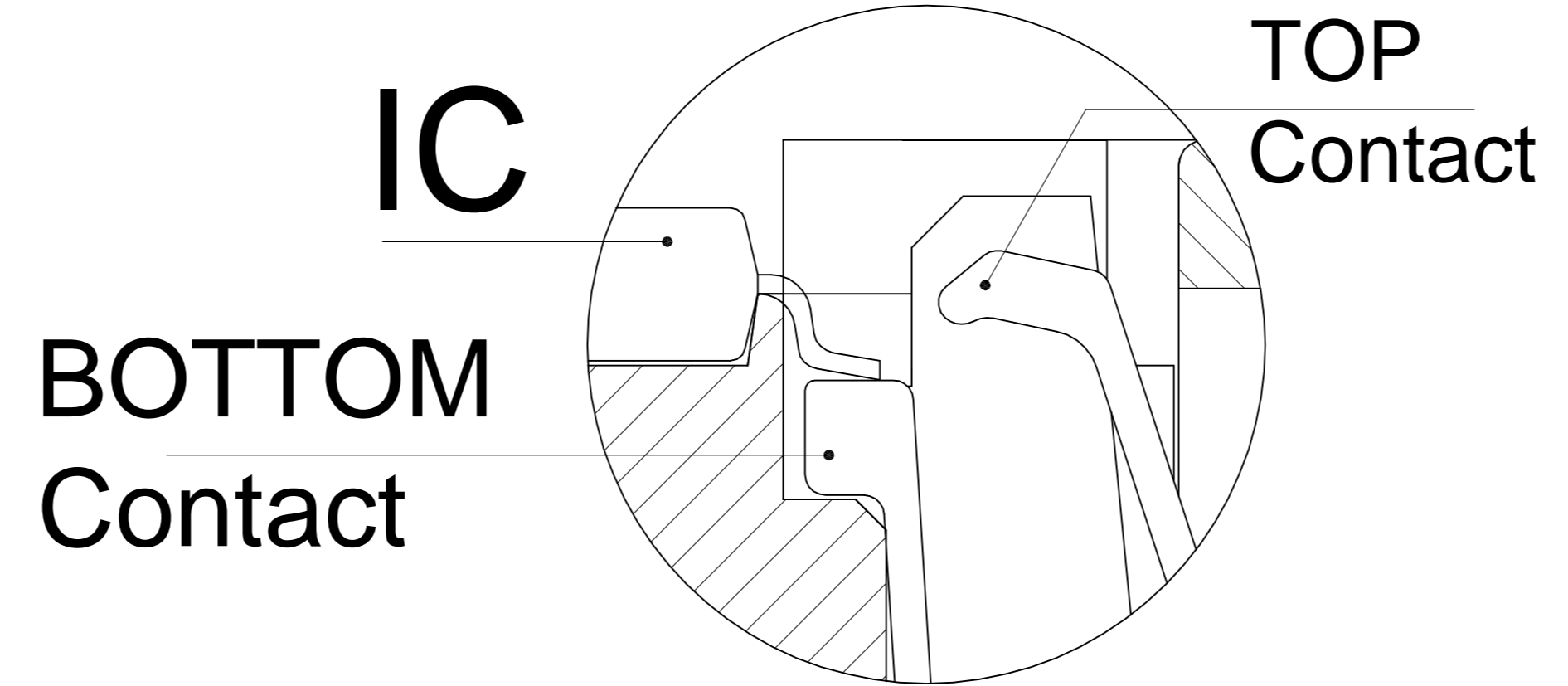
PCB PATTERN (TOP VIEW)



Insertion



**SEC.A-A
Contact Retracted**

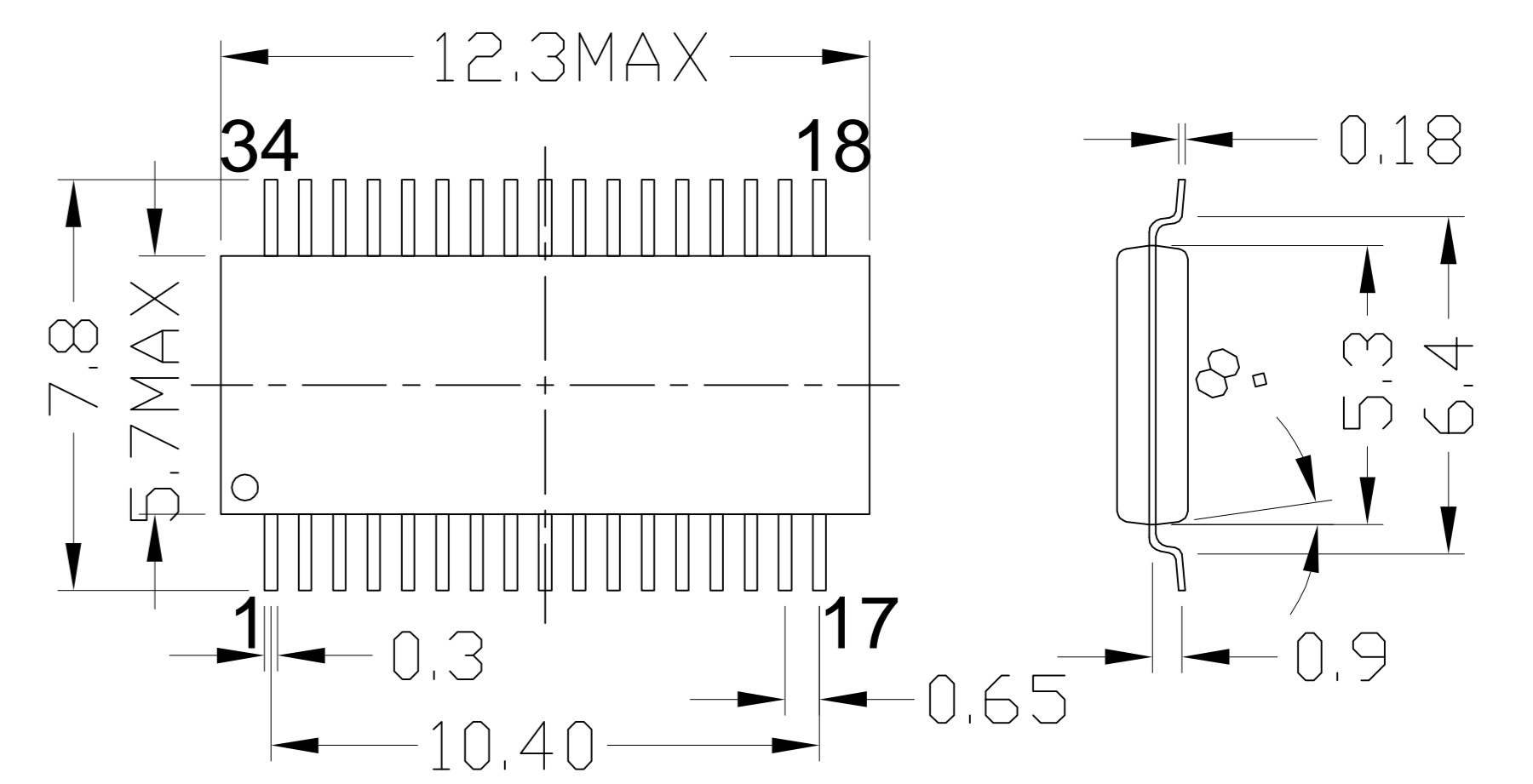


CONTACT TIP DETAIL

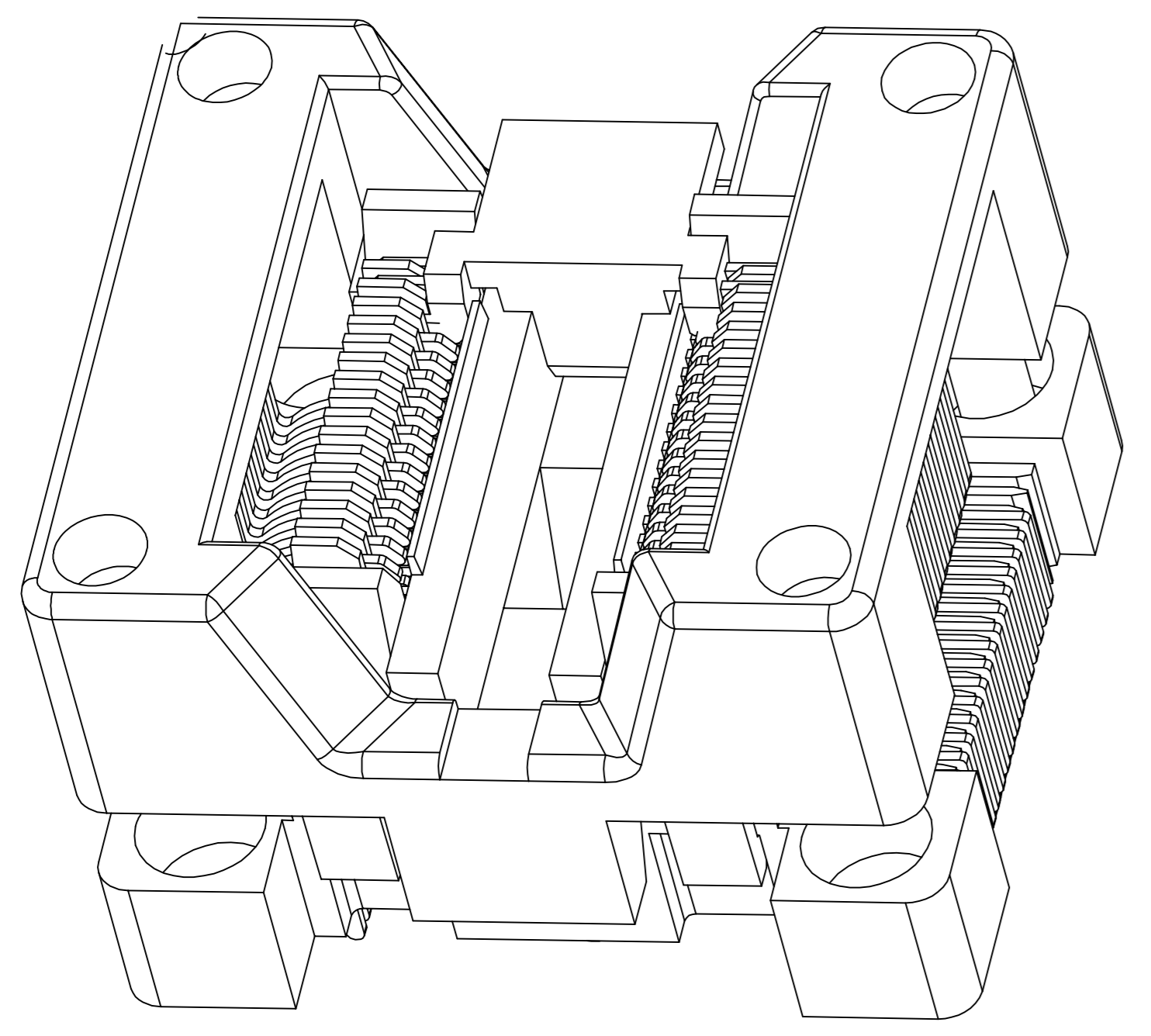
PERFORMANCE

1. Insulation Resistance: 1000mΩ Min.At DC 500V
2. Dielectric Withstanding Voltage For 1 Minute At AC 700V
3. Contact Resistance 30mΩ MAX. at 10mA and 20mV MAX.(Initial)
4. Current Rating: 1A max.
5. Operation Temperature -55°C ~+175°C
6. Life Span 15,000 Times (Mechanical)
7. Operation Force 1.0 Kg MAX

APPLICABLE IC



SEC.A-A



No	Part Number	Name	Material	Q/ty	Note	TOLERANCE	PROJECTION	GENERAL TOLERANCES	±0.10	TITLE	SOP34-0.65 SOCKET
5	SOP-34-U01-002	COVER	PEI/PES	1	BLACK			REVISION	A	CLASS	SOP34-0.65-TP01NT
4	30-B-4515X	SPRING	SUS	4	FOR COVER	X. ± 0.50	DIMENSION: mm	SCALE:	1:1	DRW. NO	SOP-24/28/30/34-0.65-L01
3	SOP-34-U01-001	BASE	PEI/PES	1	BLACK	X.X ± 0.25	APP:	DATE:			
2	SOP-34-MSBR-02	CONTACT	BeCu	17	Au PLATING	X.XX ± 0.10	CHECK:	DATE:			
1	SOP-34-MSBR-01	CONTACT	BeCu	17	Au PLATING	X.XXX ± 0.05	DEGK: ENG02	DATE:	20150727		

