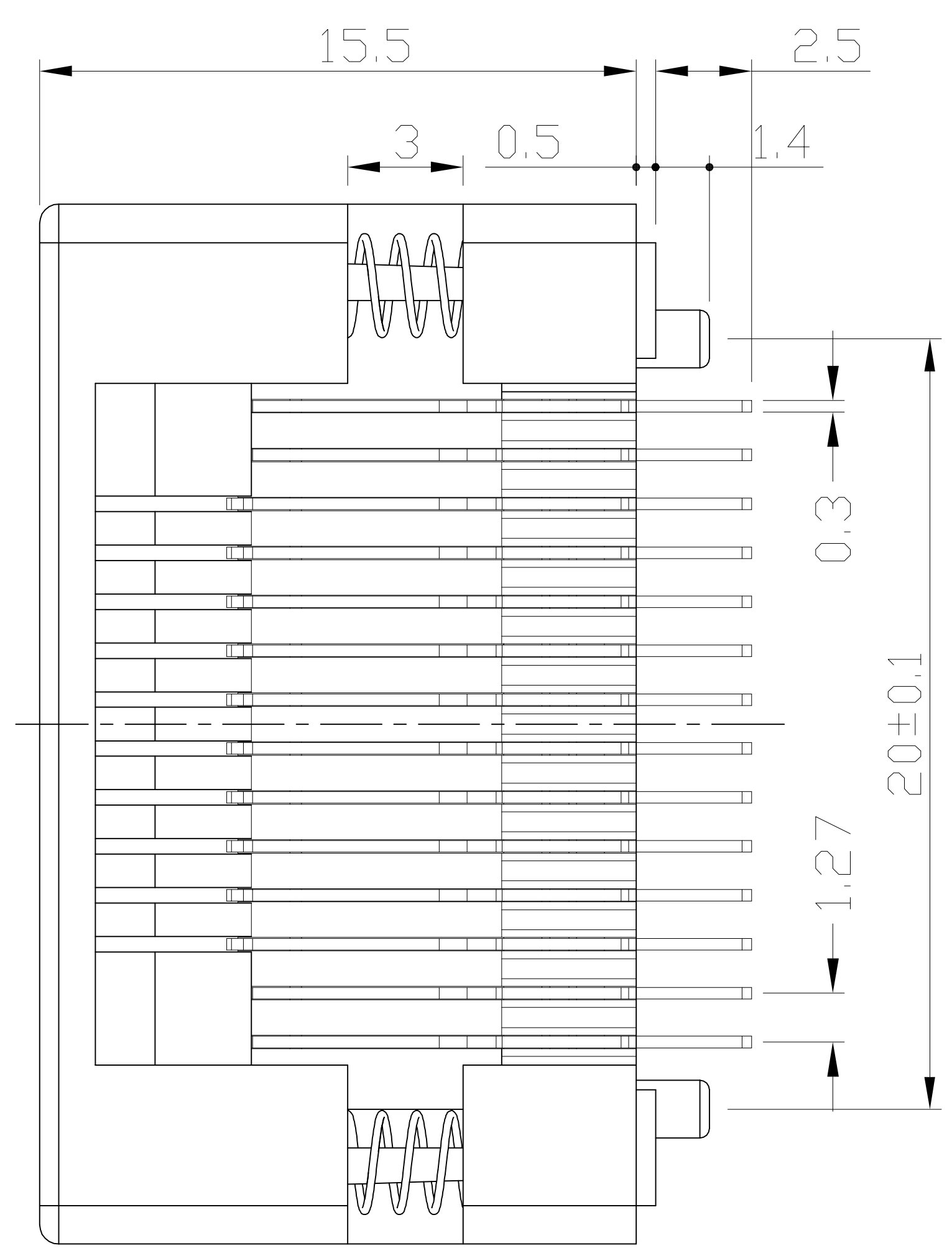
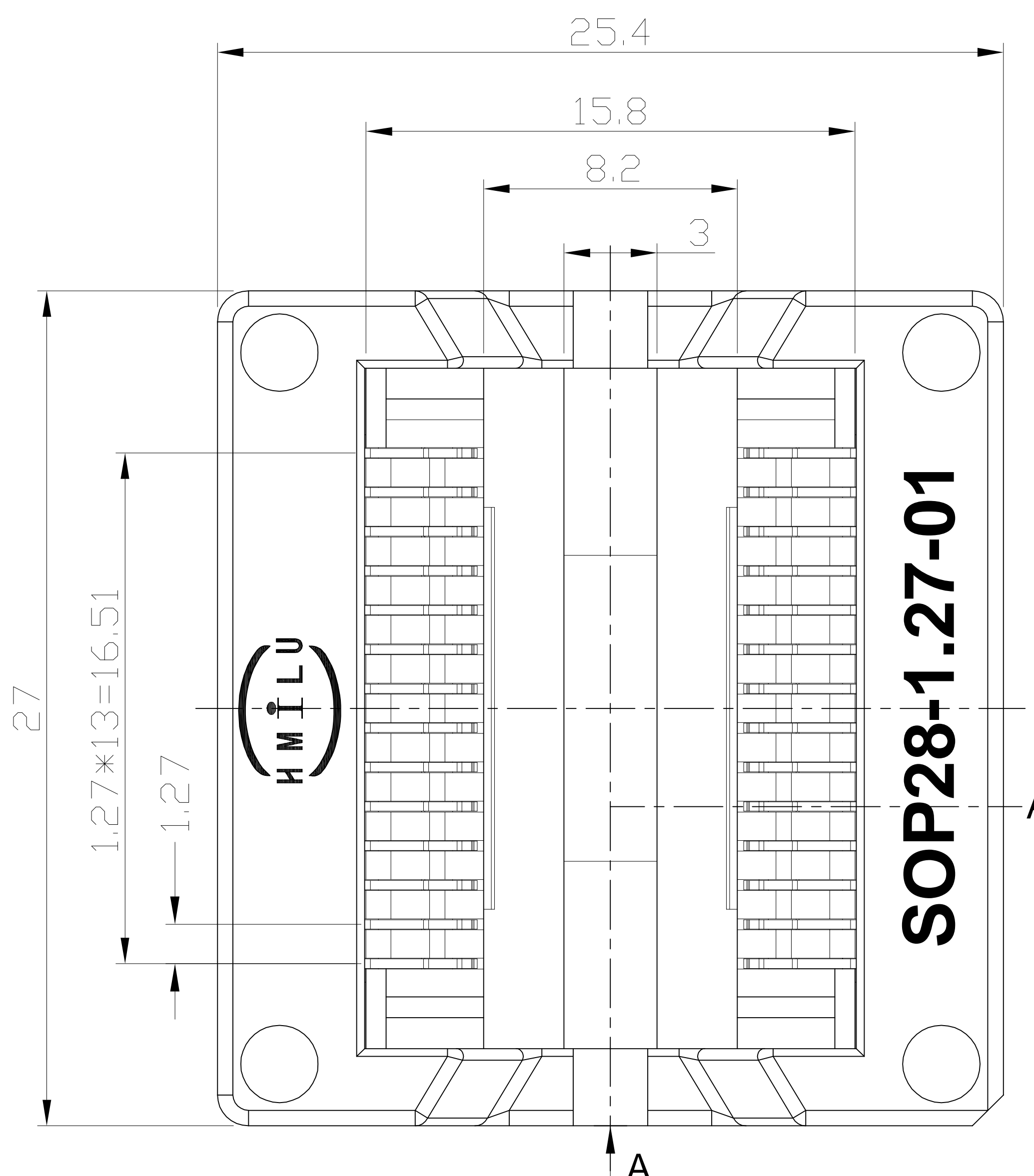
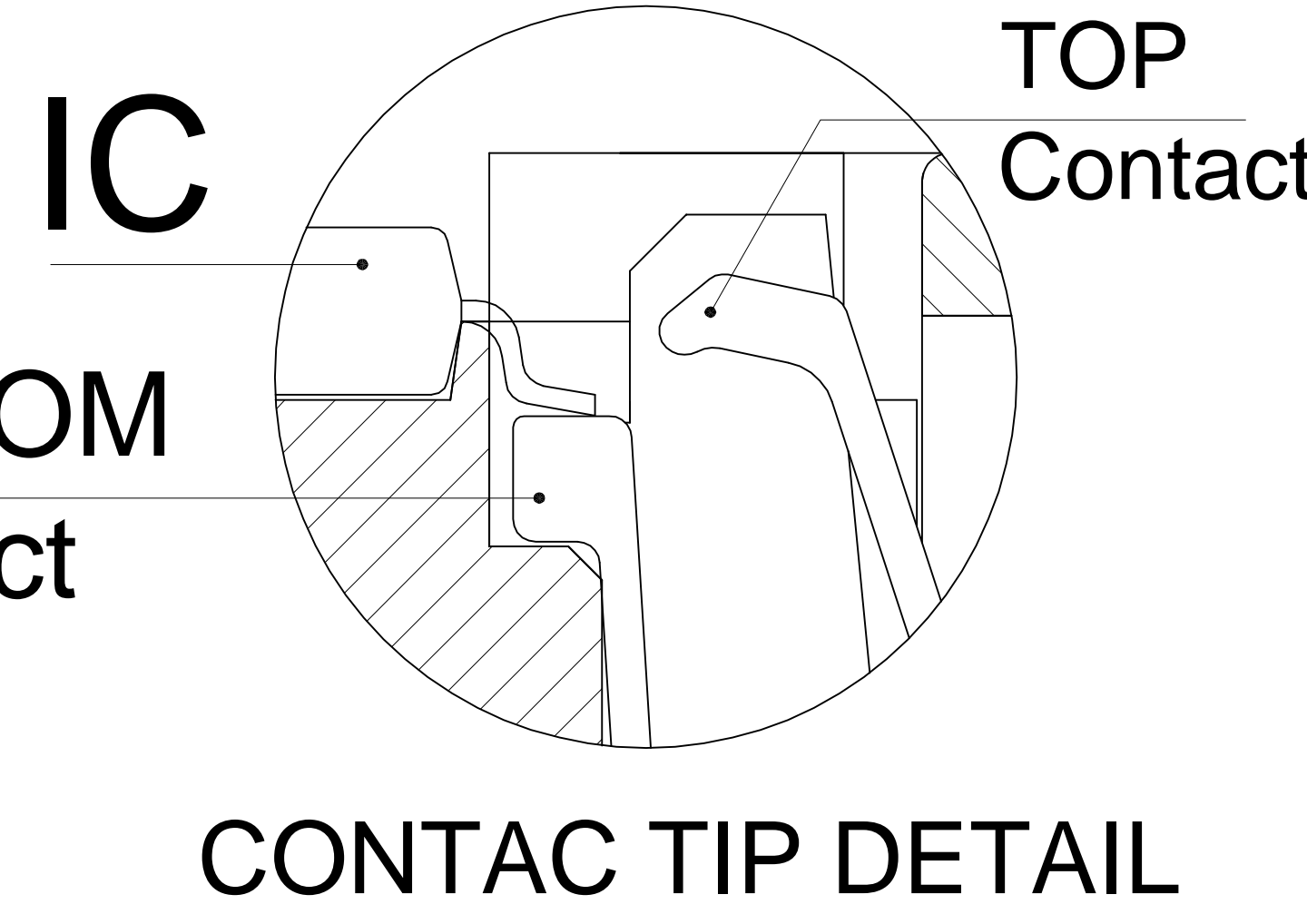
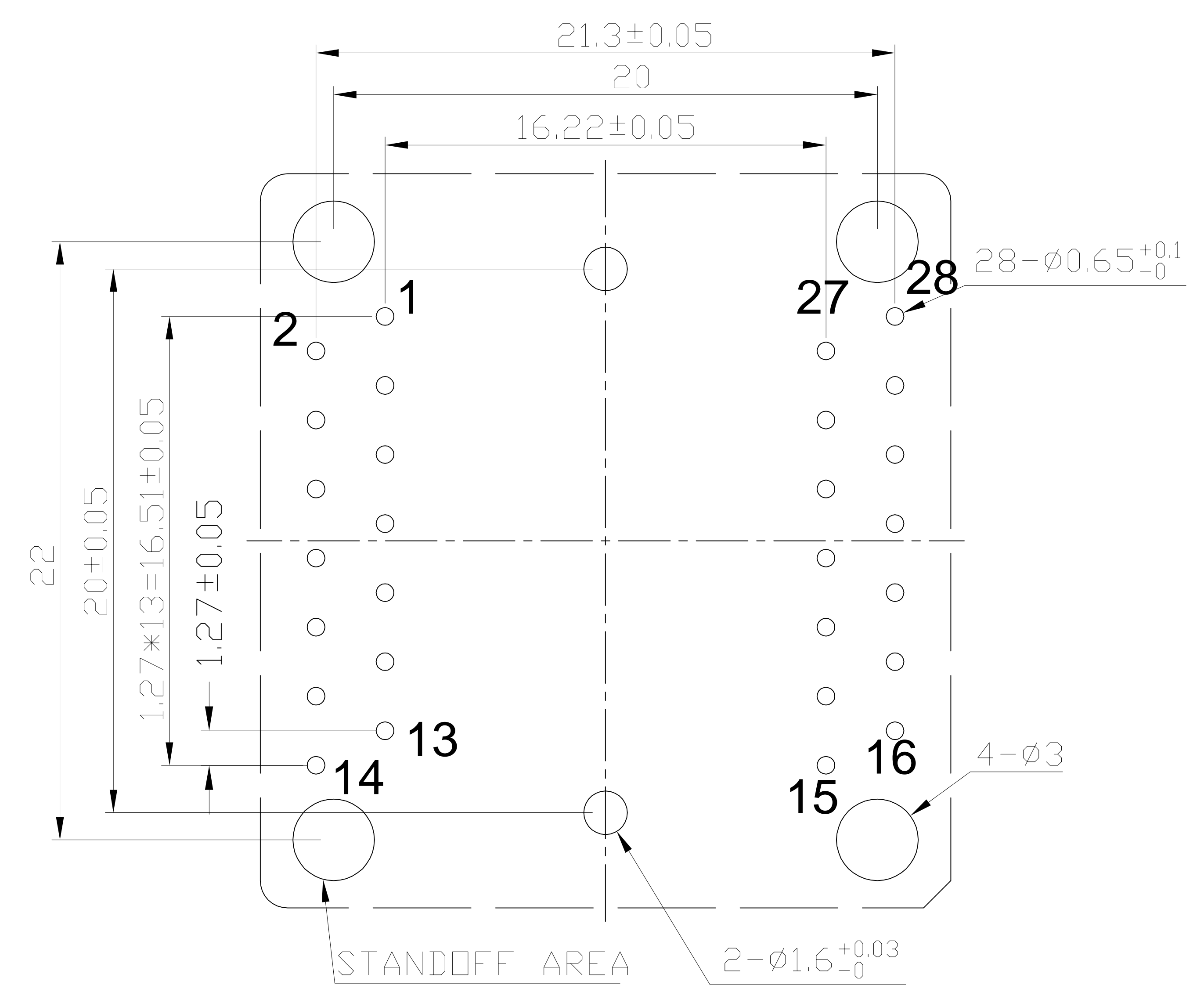


REVISION	DESCRIPTION	CHECK	APP	DATE	REV. NOTICE. NO
1					
2					
3					



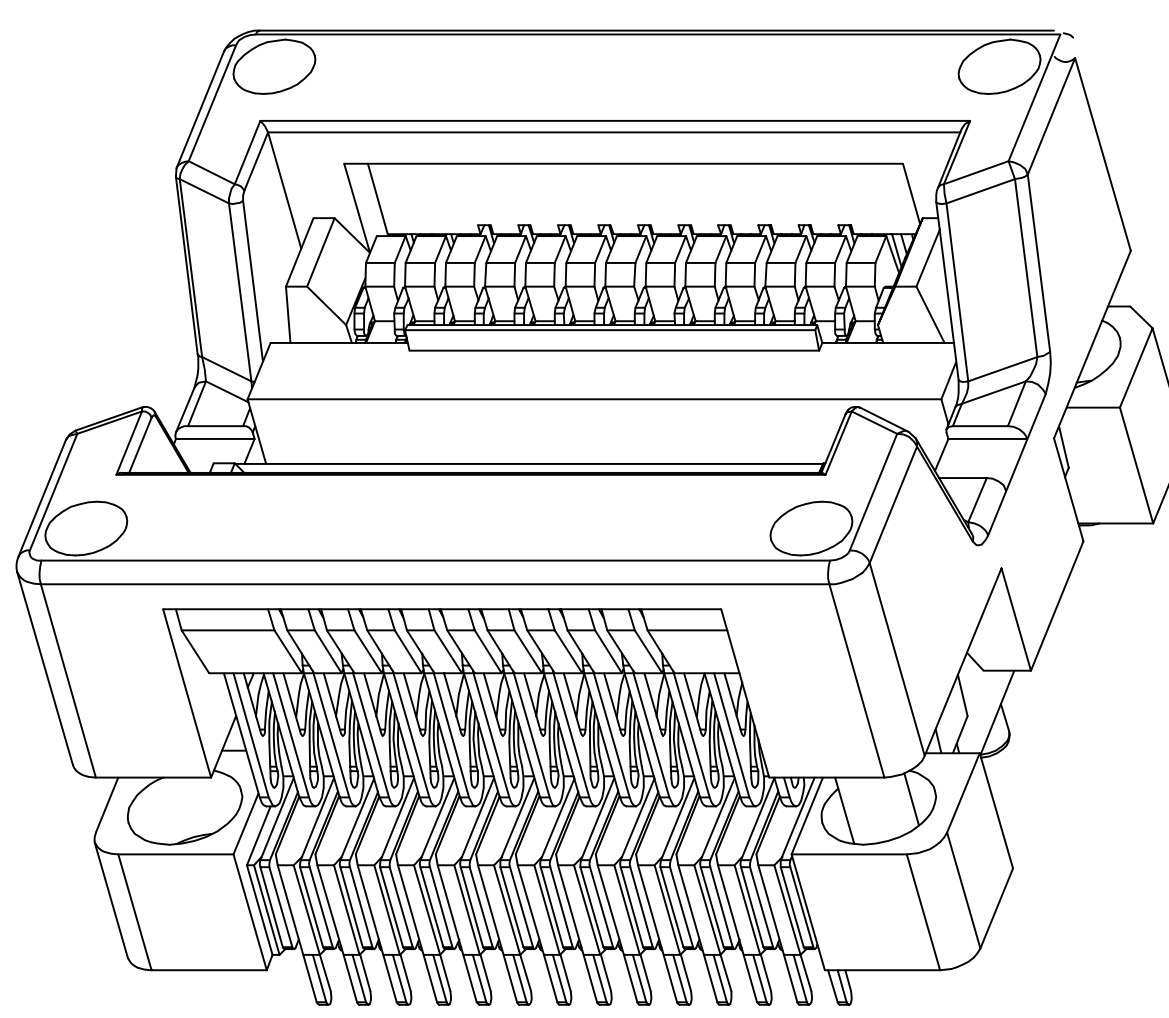
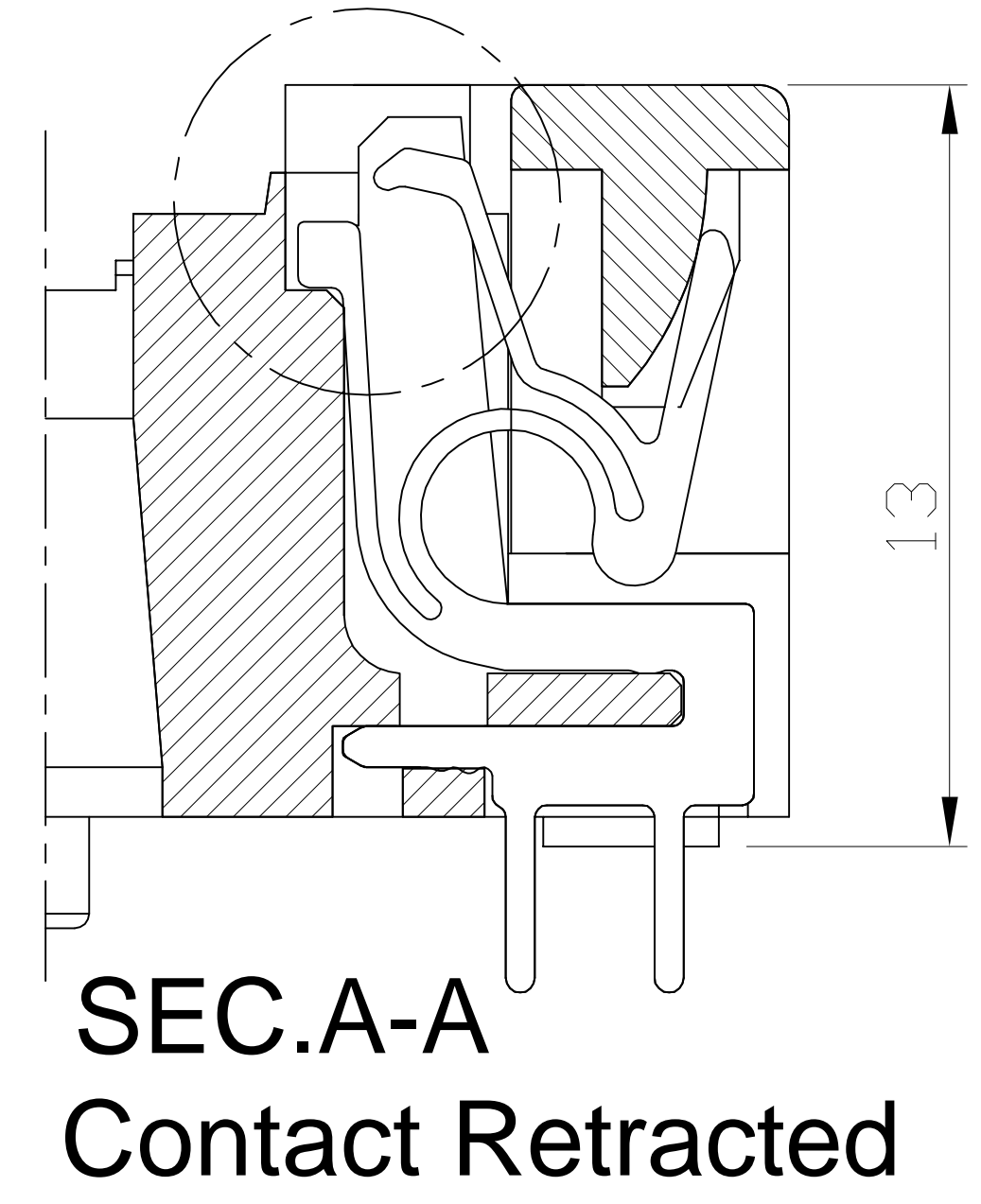
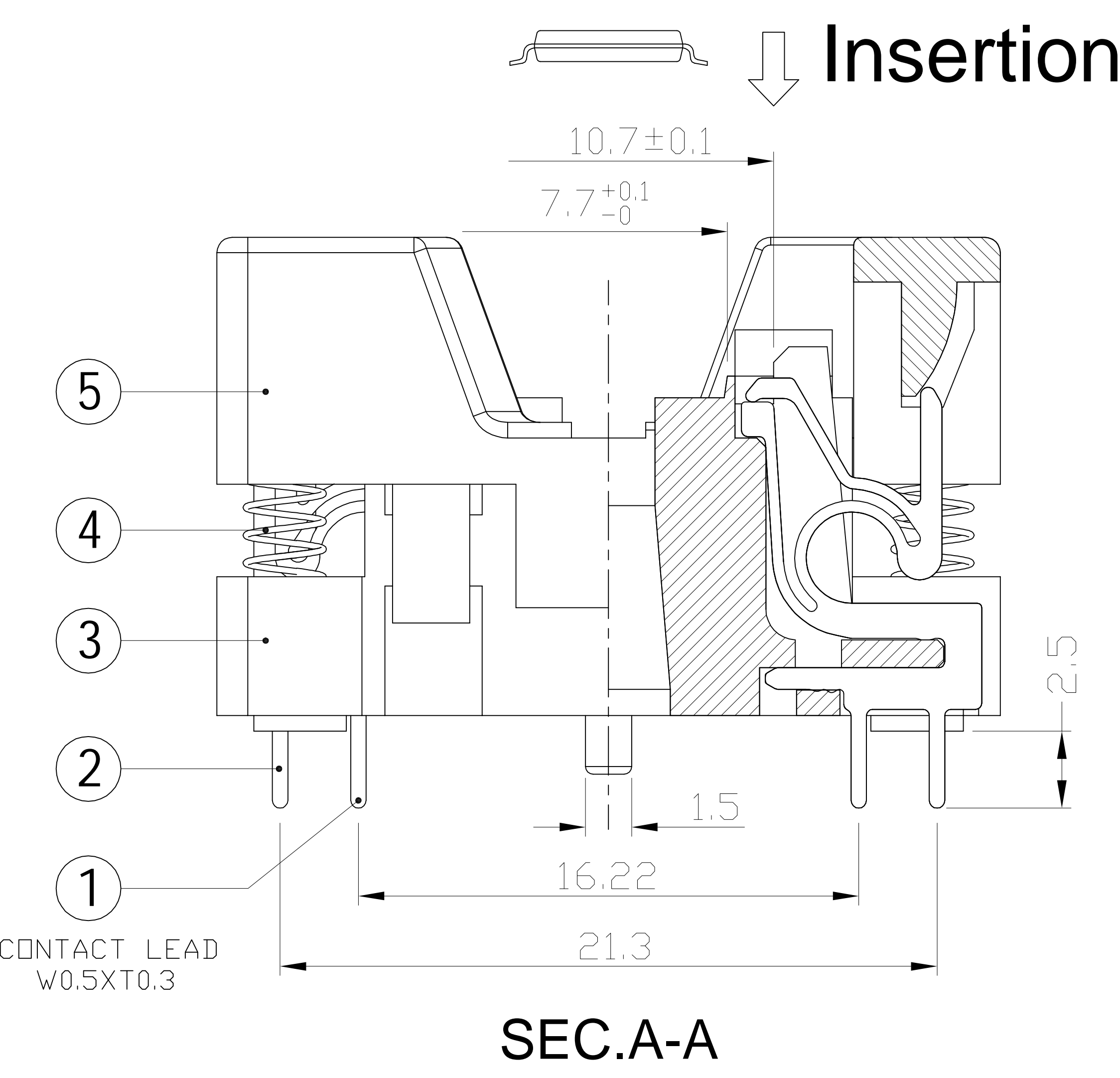
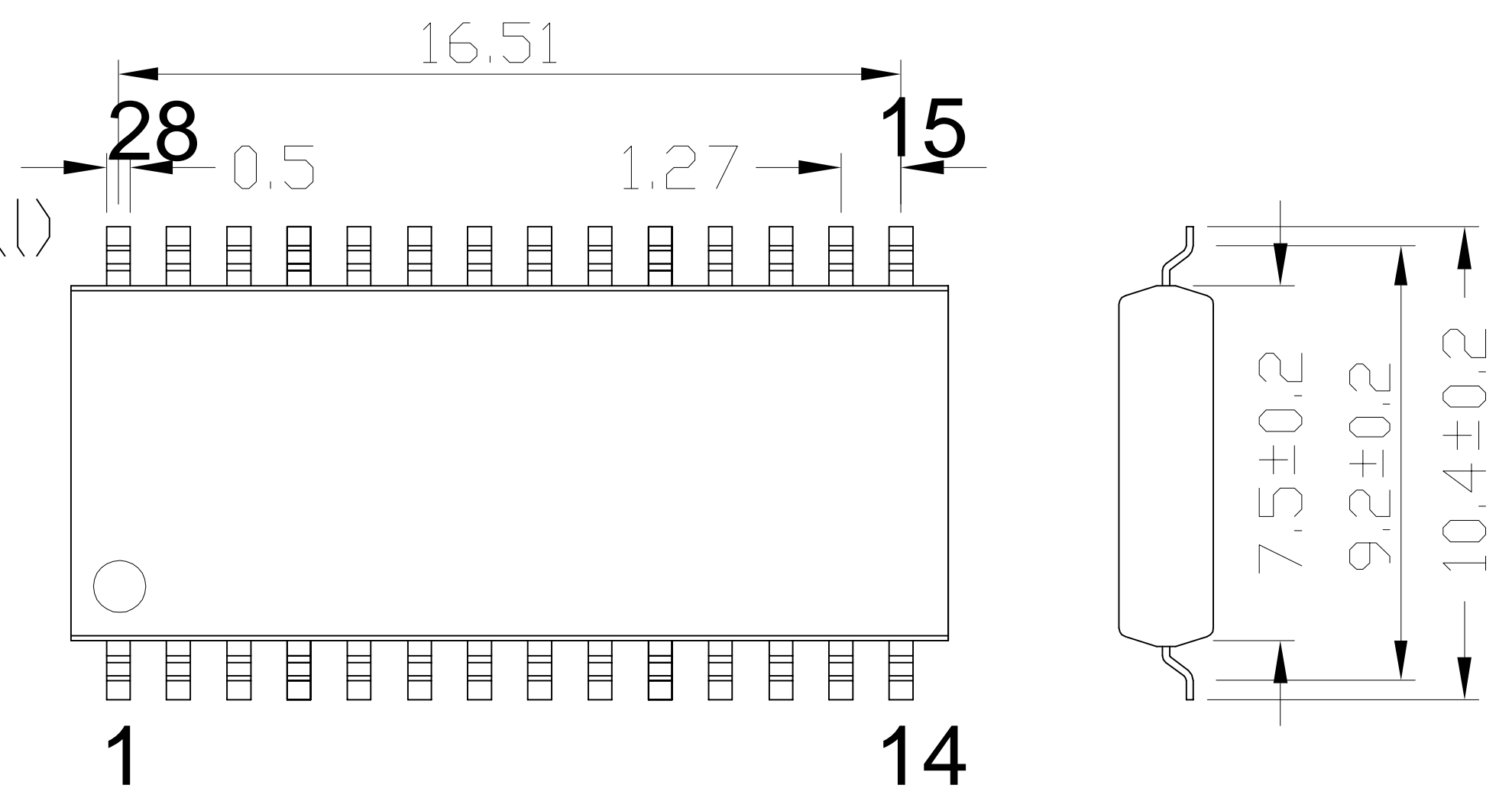
PCB PATTERN (TOP VIEW)



PERFORMANCE

1. Insulation Resistance: 1000mΩ Min. At DC 500V
2. Dielectric Withstanding Voltage For 1 Minute At AC 700V
3. Contact Resistance 30mΩ MAX. at 10mA and 20mV MAX.(Initial)
4. Current Rating: 1A max.
5. Operation Temperature -55°C ~+175°C
6. Life Span 15,000 Times (Mechanical)
7. Operation Force 1.0 Kg MAX

APPLICABLE IC



No	Part Number	Name	Material	Q/ty	Note
5	SOP-28-U01-002	COVER	PEI/PES	1	BLACK
4	30-B-4515X	SPRING	SUS	4	FOR COVER
3	SOP-28-U01-001	BASE	PEI/PES	1	BLACK
2	SOP-28-MSBR-02	CONTACT	BeCu	14	Au PLATING
1	SOP-28-MSBR-01	CONTACT	BeCu	14	Au PLATING

TOLERANCE	PROJECTION	GENERAL TOLERANCES	±0.10	TITLE	SOP28-1.27 SOCKET
X. ± 0.50	DIMENSION: mm	REV	A	CLASS	SOP28-1.27-TP01NT
X.X ± 0.25	APP:	SCALE: 1:1	DATE:	DRW. NO	SOP-16/20/28-1.27-L01
X.XX ± 0.10	CHECK:	DATE:	DATE:		
X.XXX ± 0.05	DEGK: ENG02	DATE: 20160606			

