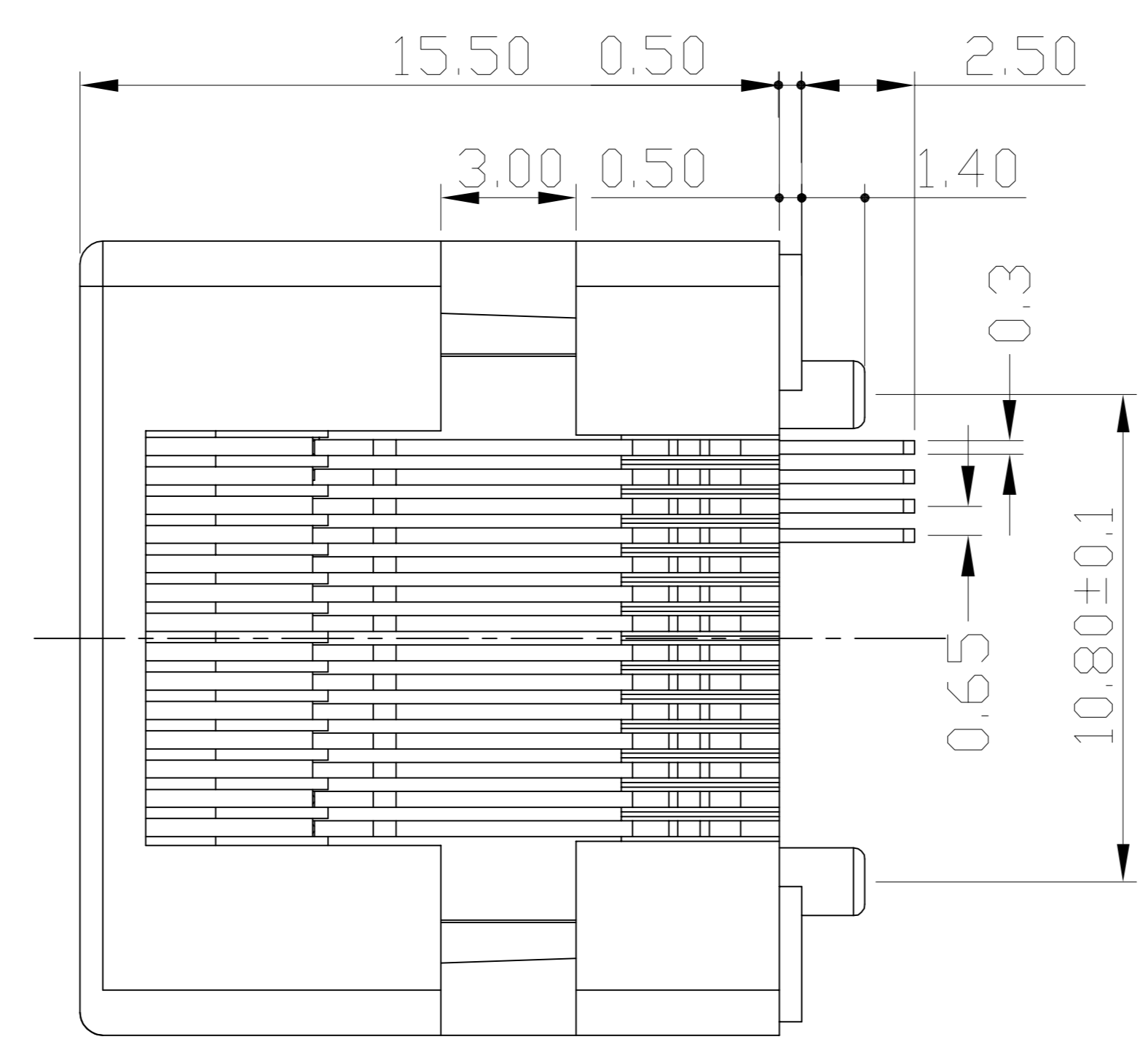
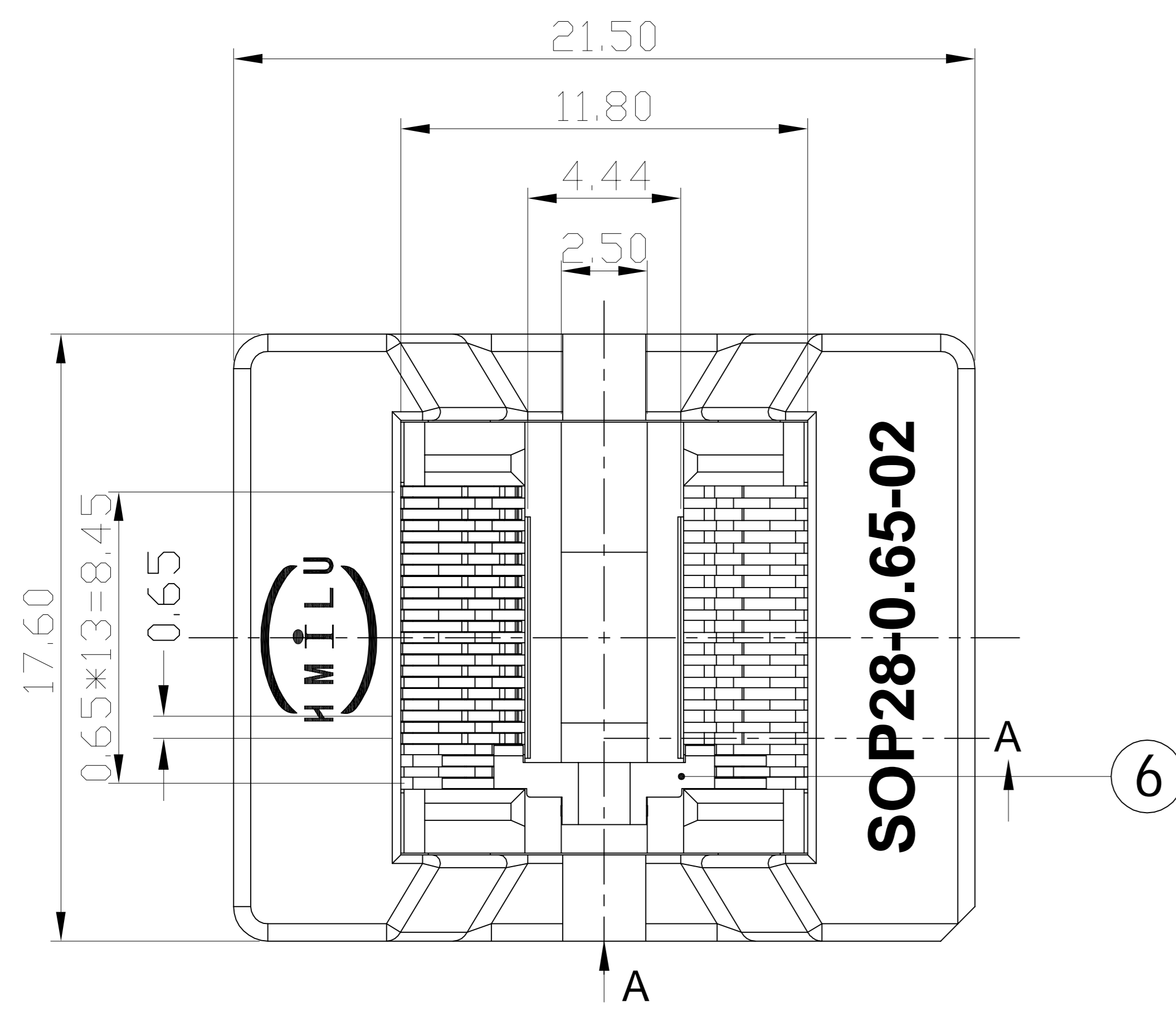
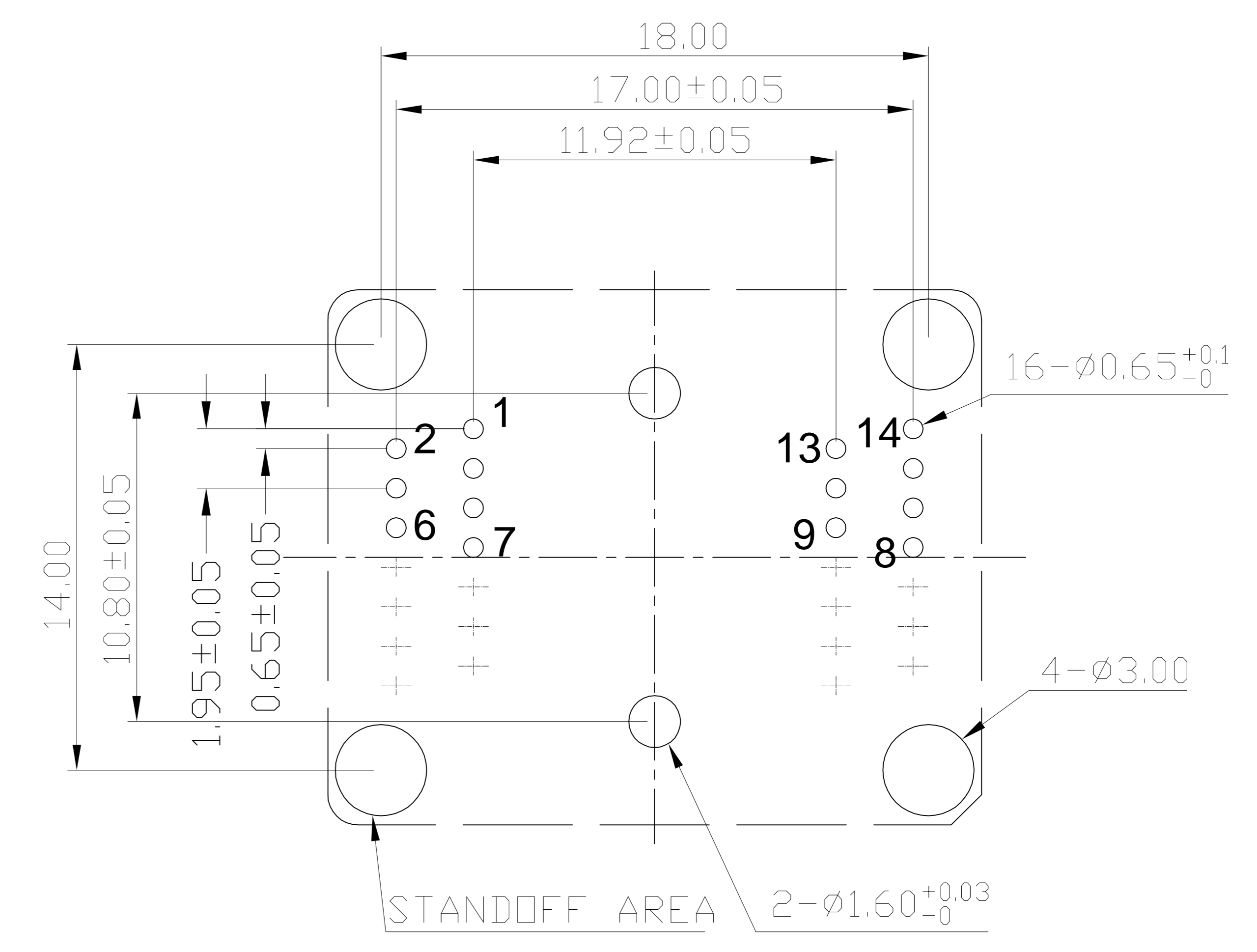


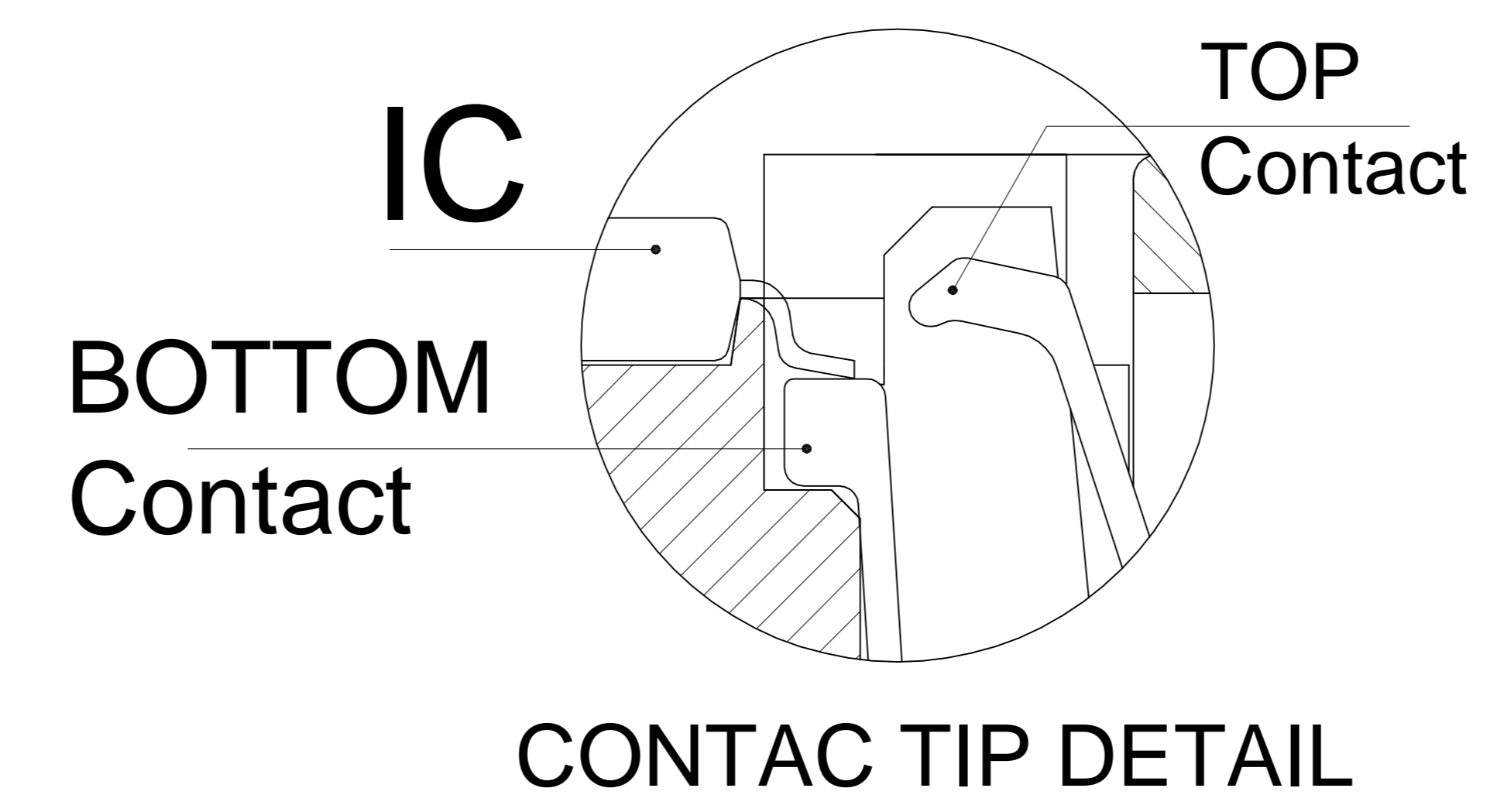
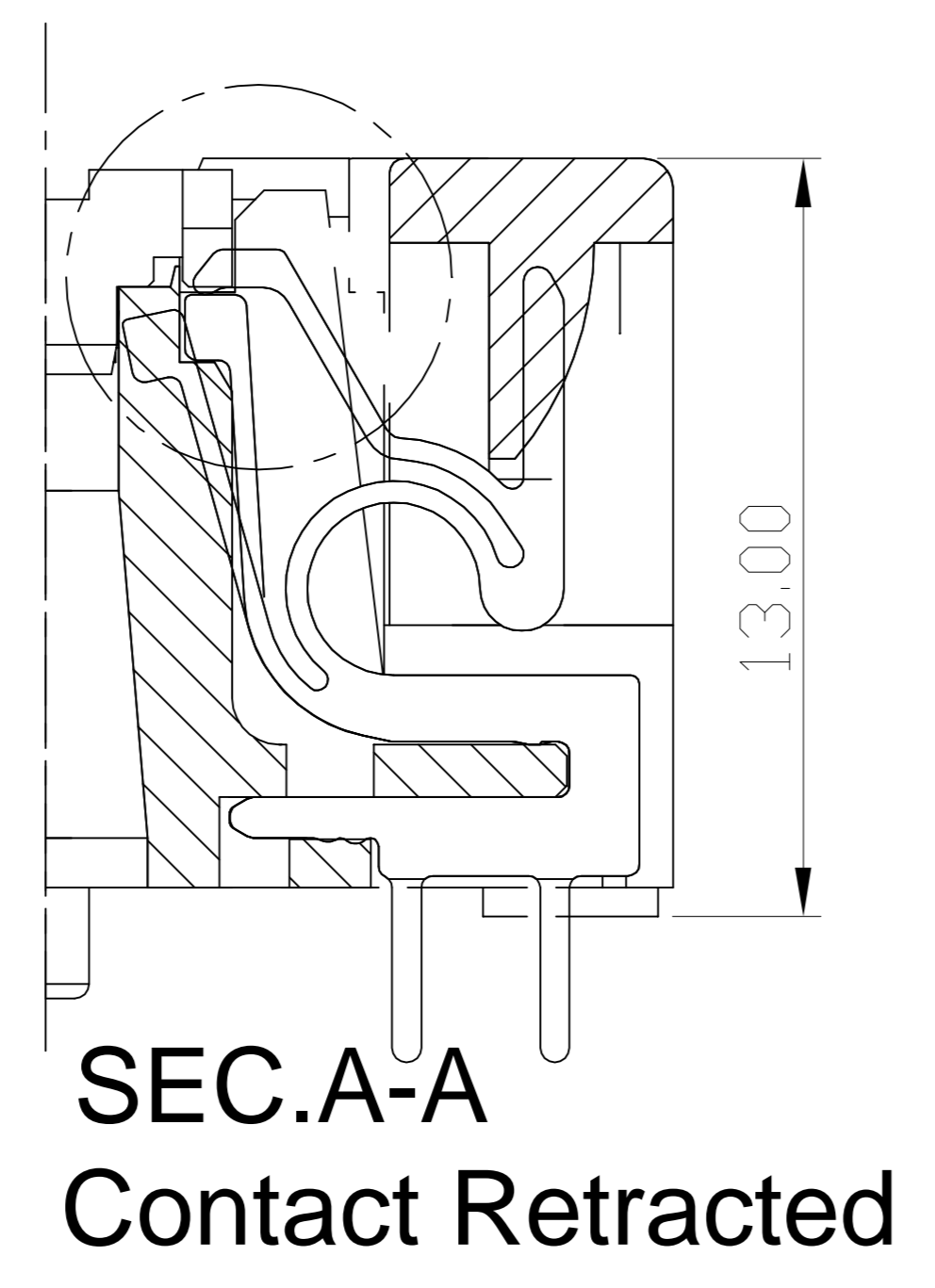
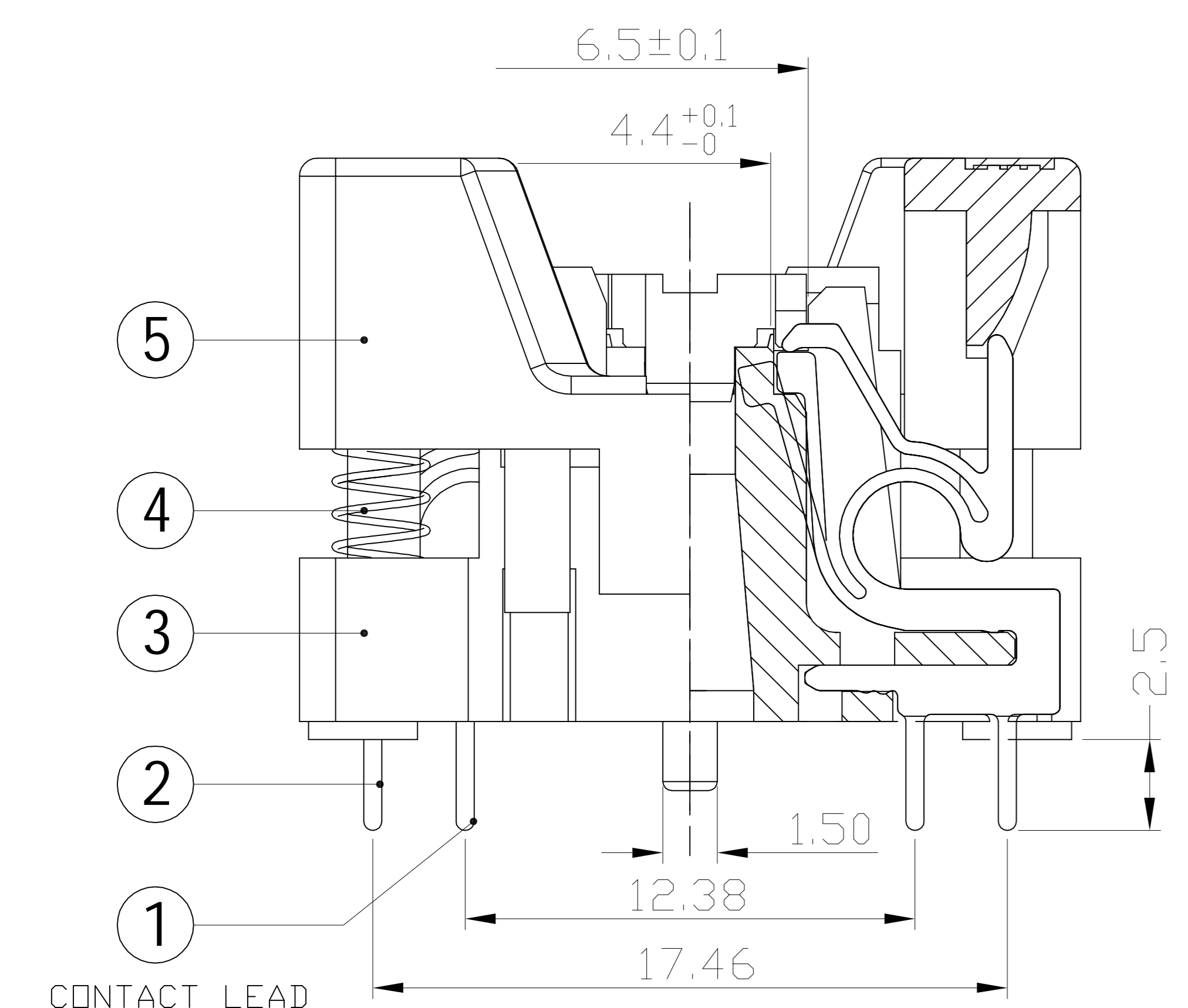
REVISION	DESCRIPTION	CHECK	APP	DATE	REV. NOTICE. NO
△ 1					
△ 2					
△ 3					



**PCB PATTERN (TOP VIEW)**



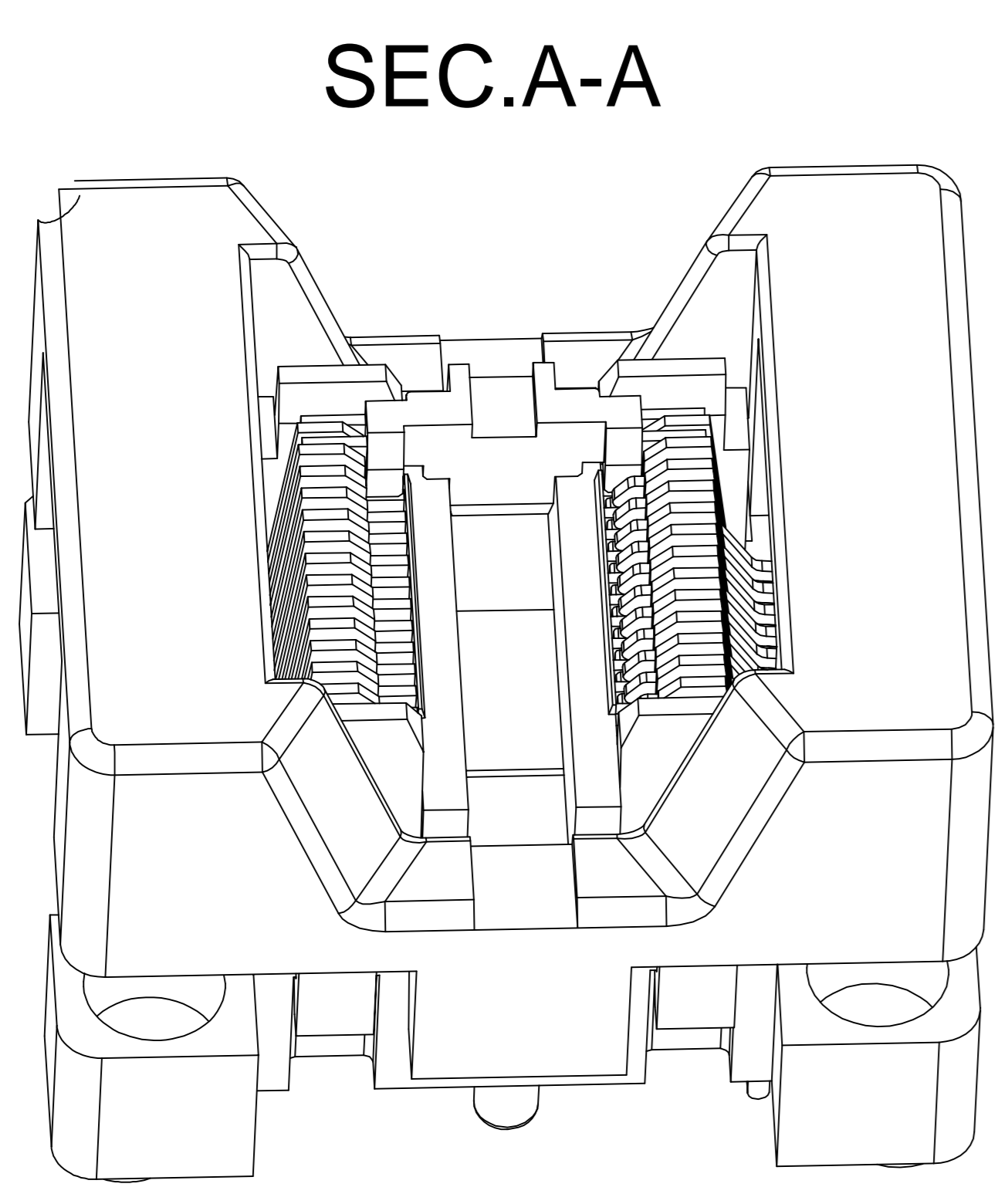
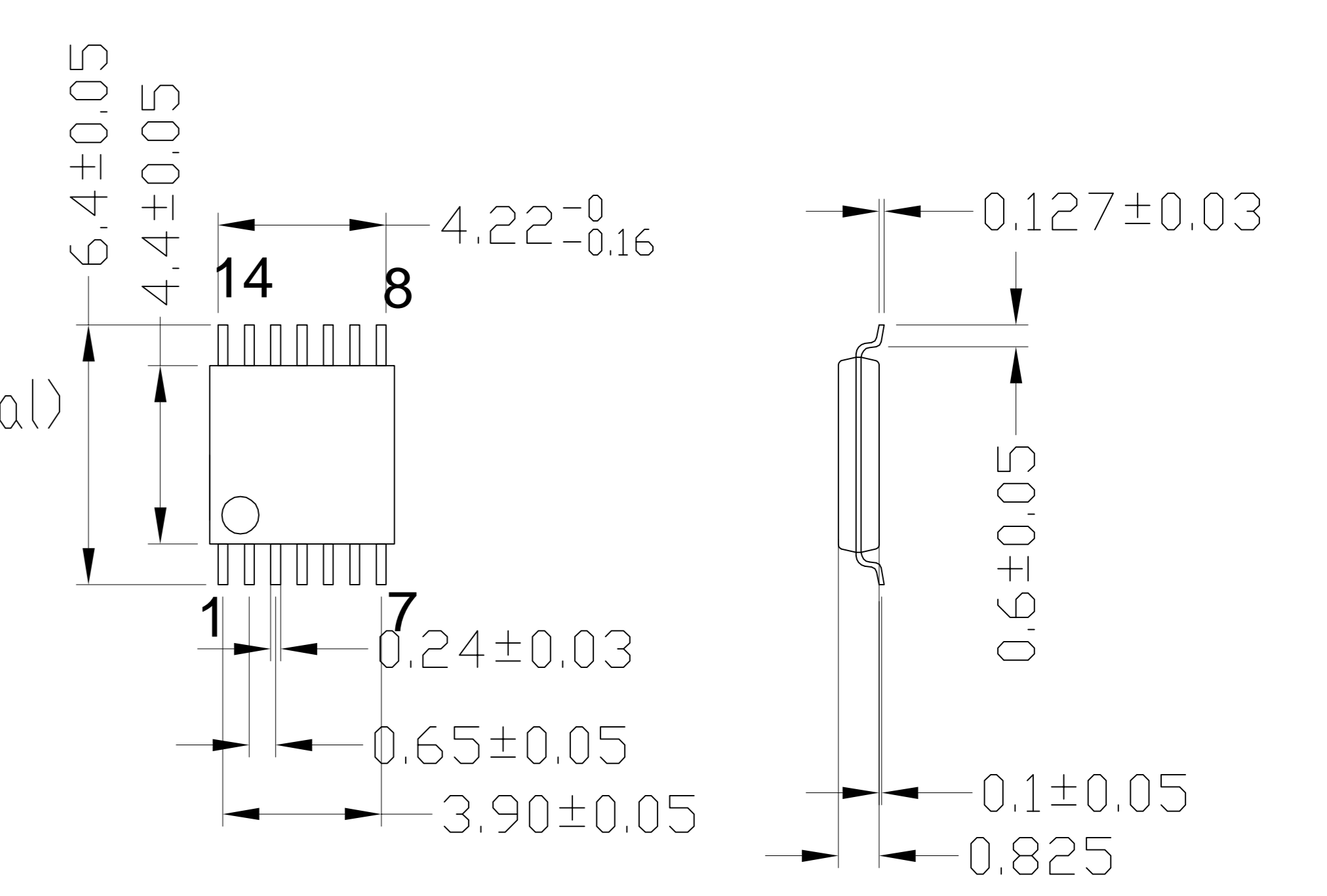
Insertion



**PERFORMANCE**

1. Insulation Resistance: 1000mΩ Min.At DC 500V
2. Dielectric Withstanding Voltage For 1 Minute At AC 700V
3. Contact Resistance 30mΩ MAX. at 10mA and 20mV MAX.(Initial)
4. Current Rating: 1A max.
5. Operation Temperature -55°C ~+175°C
6. Life Span 15,000 Times (Mechanical)
7. Operation Force 1.0 Kg MAX

**APPLICABLE IC**



6	SDP-28-U01-003	ADAPTER	PEI/PES	1	BLACK	<b>TOLERANCE</b> PROJECTION	<b>GENERAL TOLERANCES</b> ±0.10 <b>REVISION</b> SCALE: 1:1	<b>TITLE</b> CLASS DRW. NO	<b>SOP28-0.65 SOCKET</b> SOP14(28)-0.65-TP05NT SOP-8/14/16/20/24/28-0.65-M02
5	SDP-28-U01-002	COVER	PEI/PES	1	BLACK				
4	30-B-4515X	SPRING	SUS	4	FOR COVER				
3	SDP-28-U01-001	BASE	PEI/PES	1	BLACK				
2	SDP-28-MSBR-02	CONTACT	BeCu	7	Au PLATING				
1	SDP-28-MSBR-01	CONTACT	BeCu	7	Au PLATING				
No	Part Number	Name	Material	Q/ty	Note				

