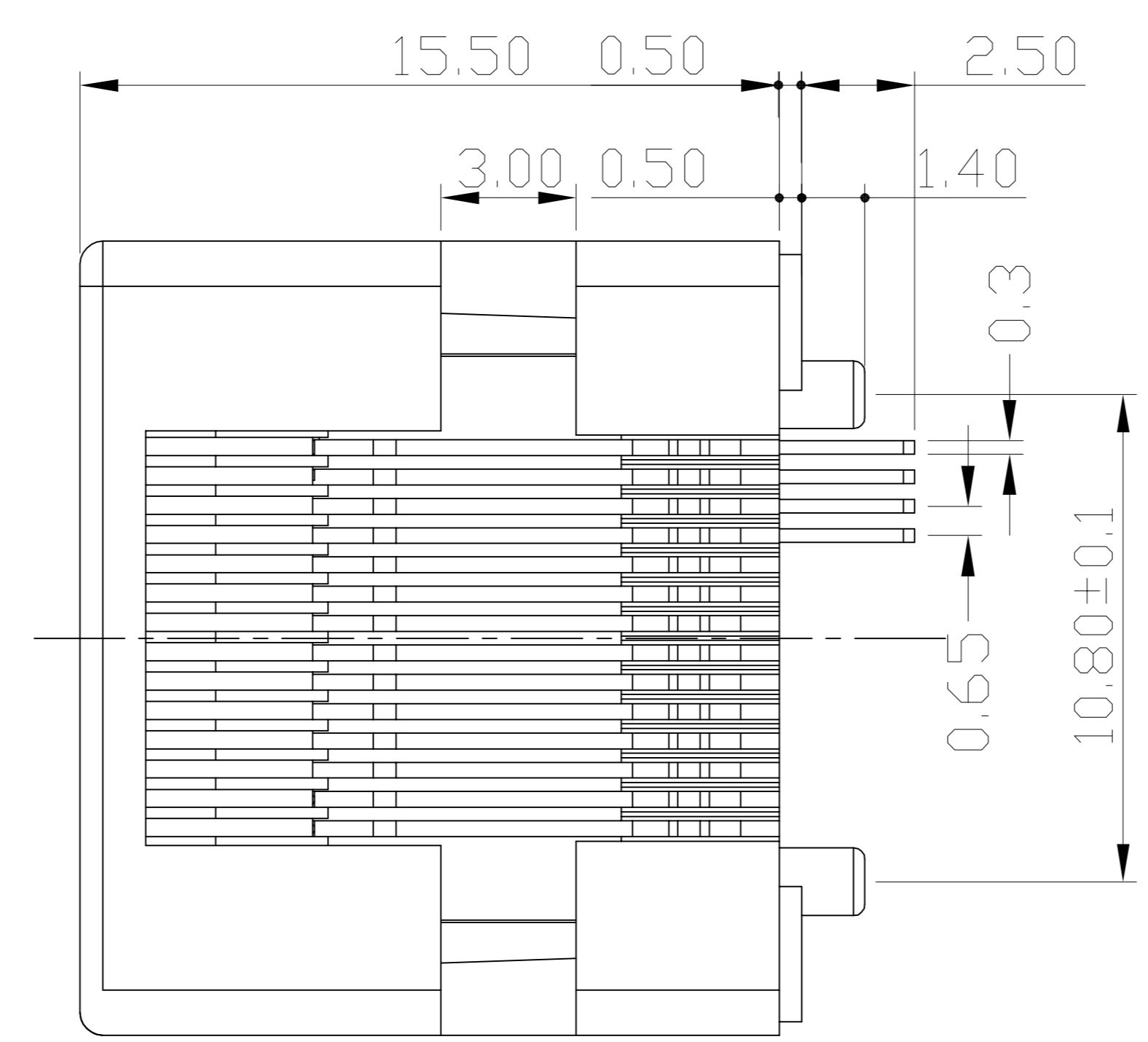
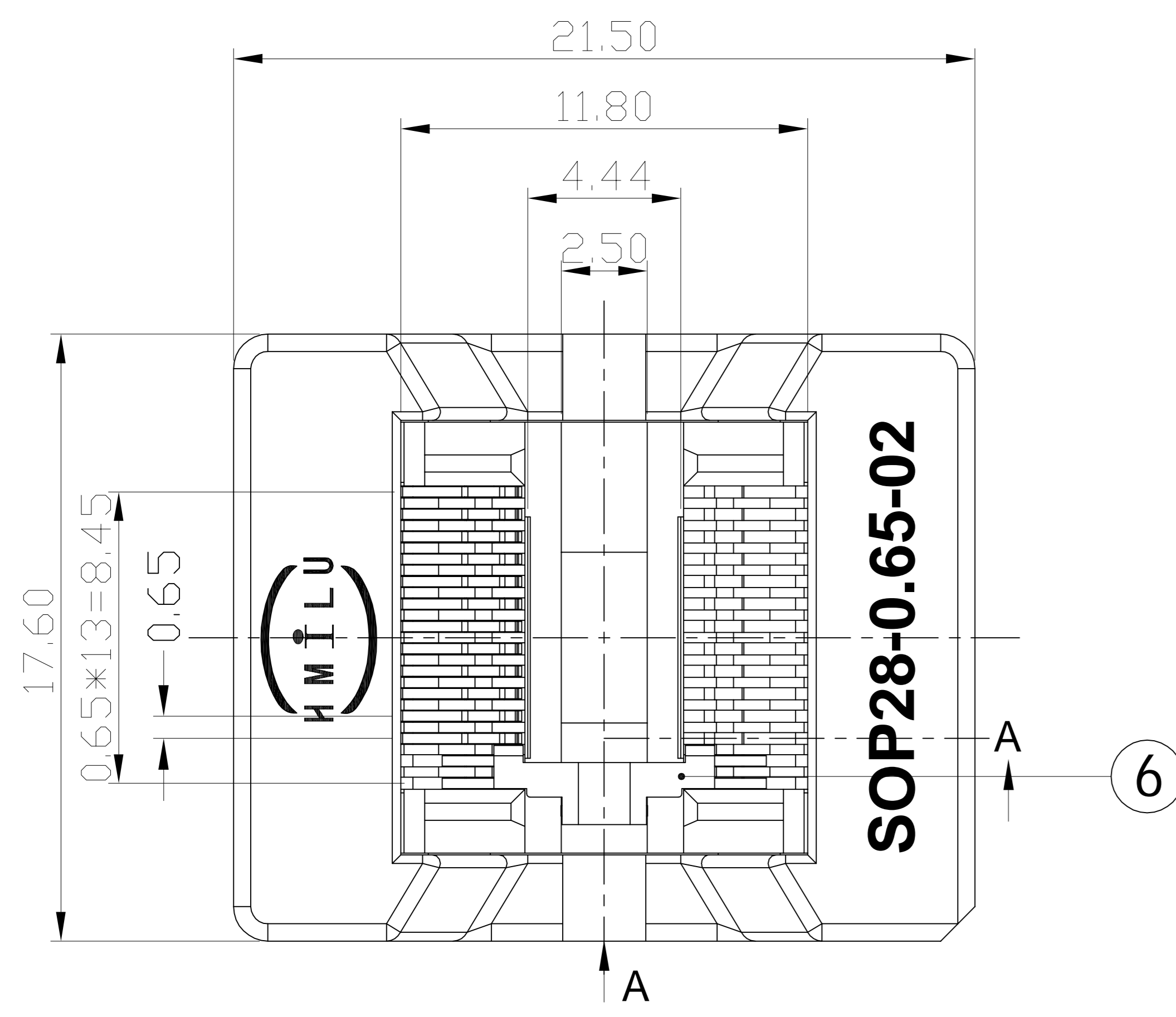
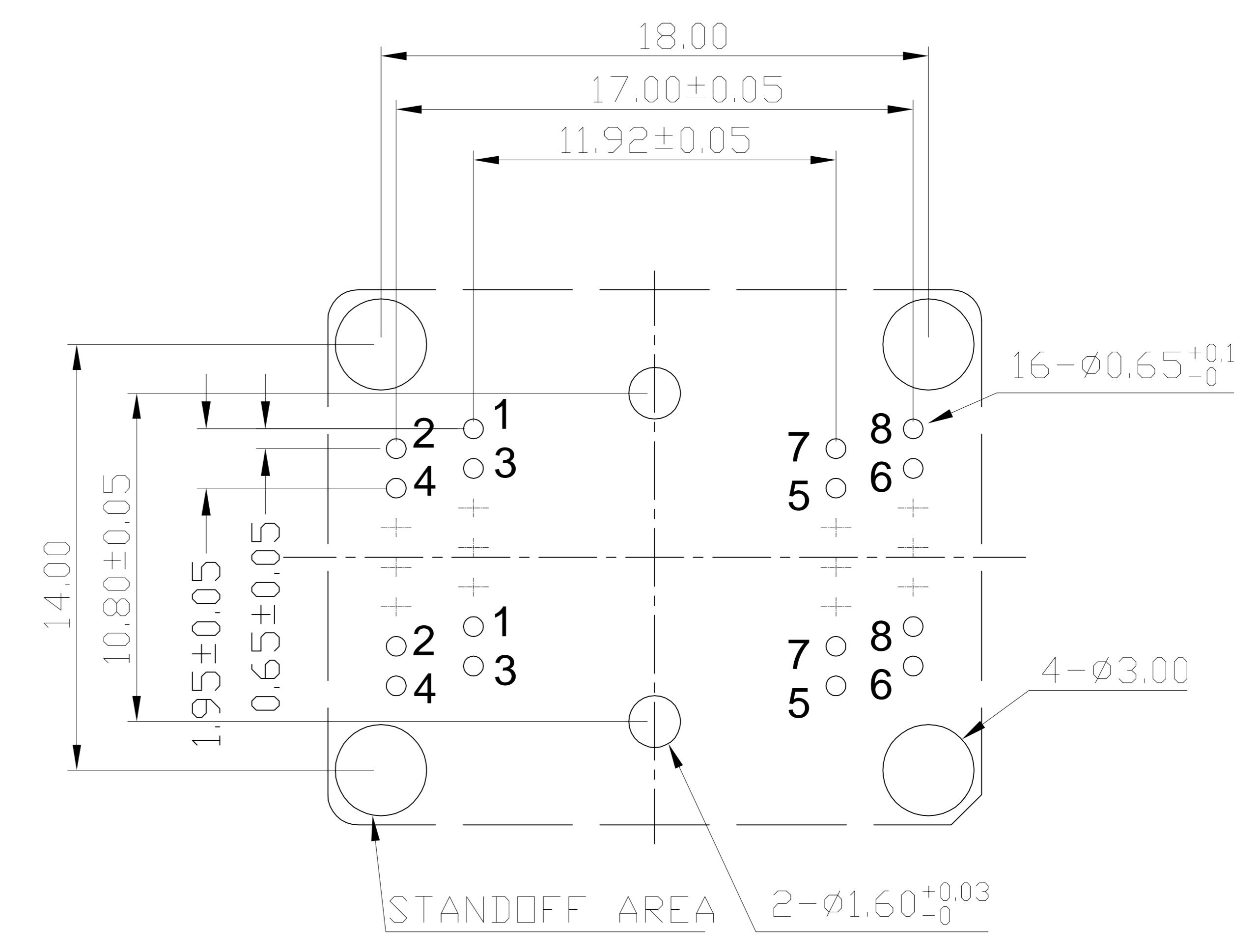


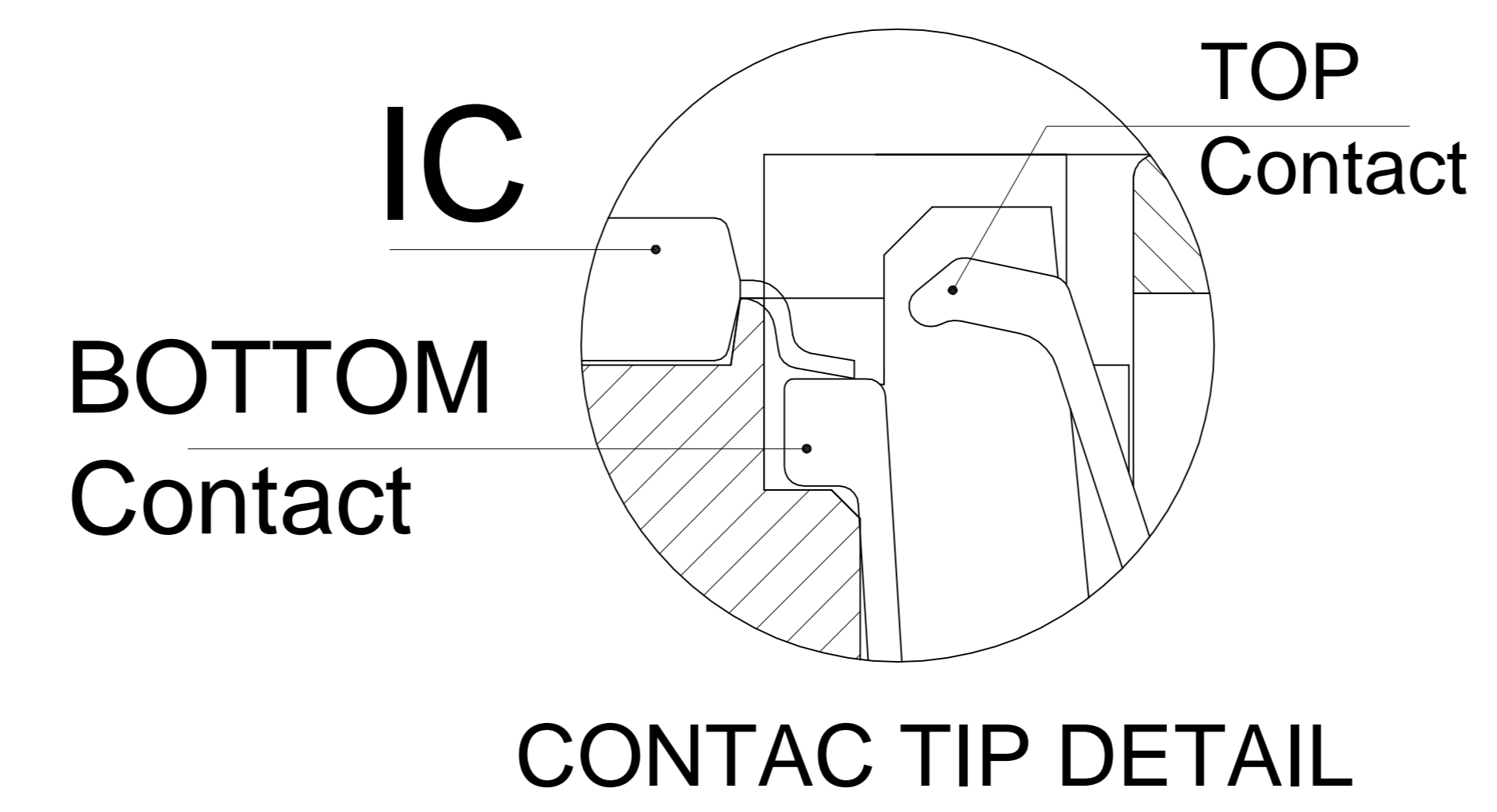
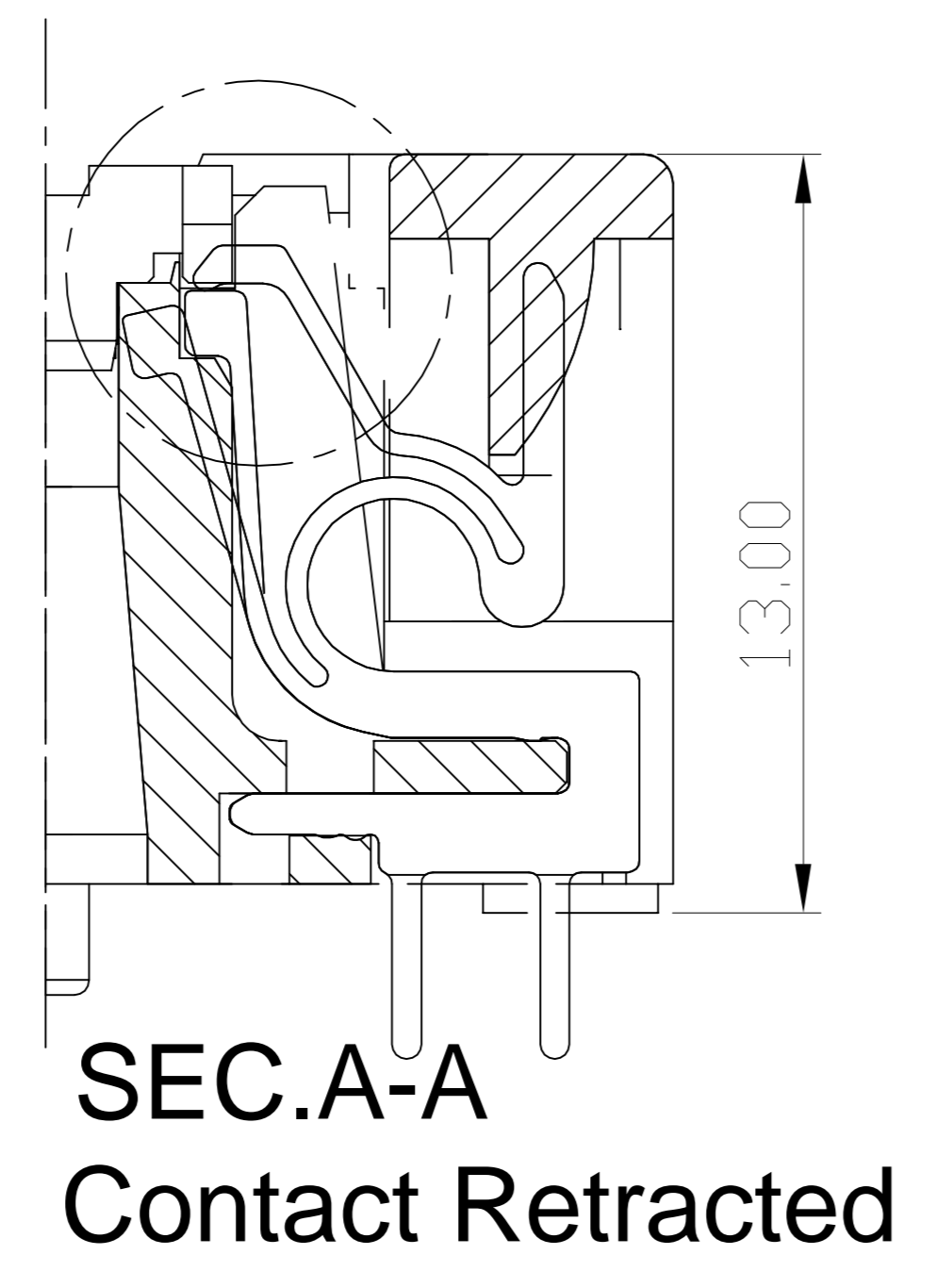
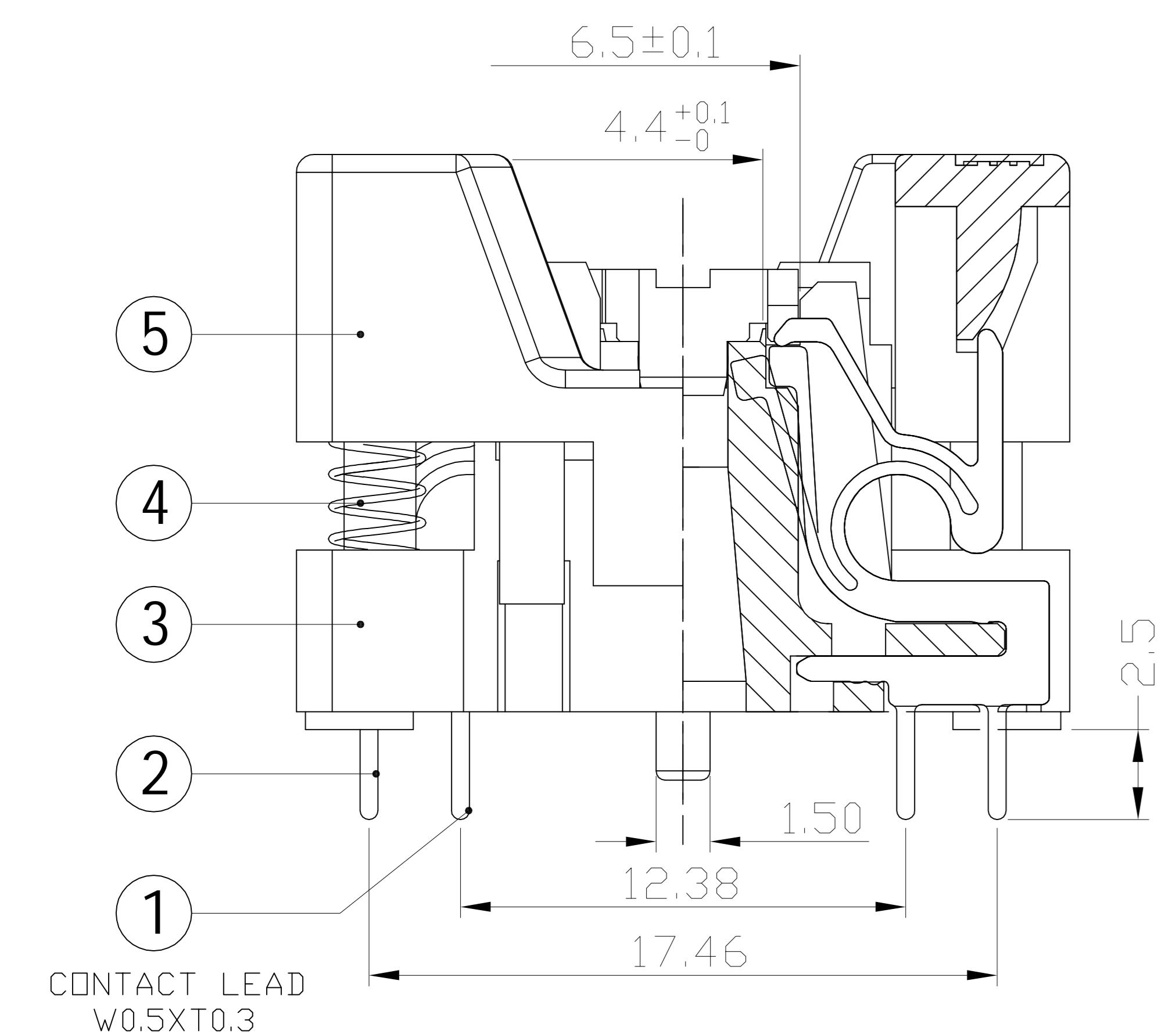
REVISION	DESCRIPTION	CHECK	APP	DATE	REV. NOTICE. NO
△ 1					
△ 2					
△ 3					



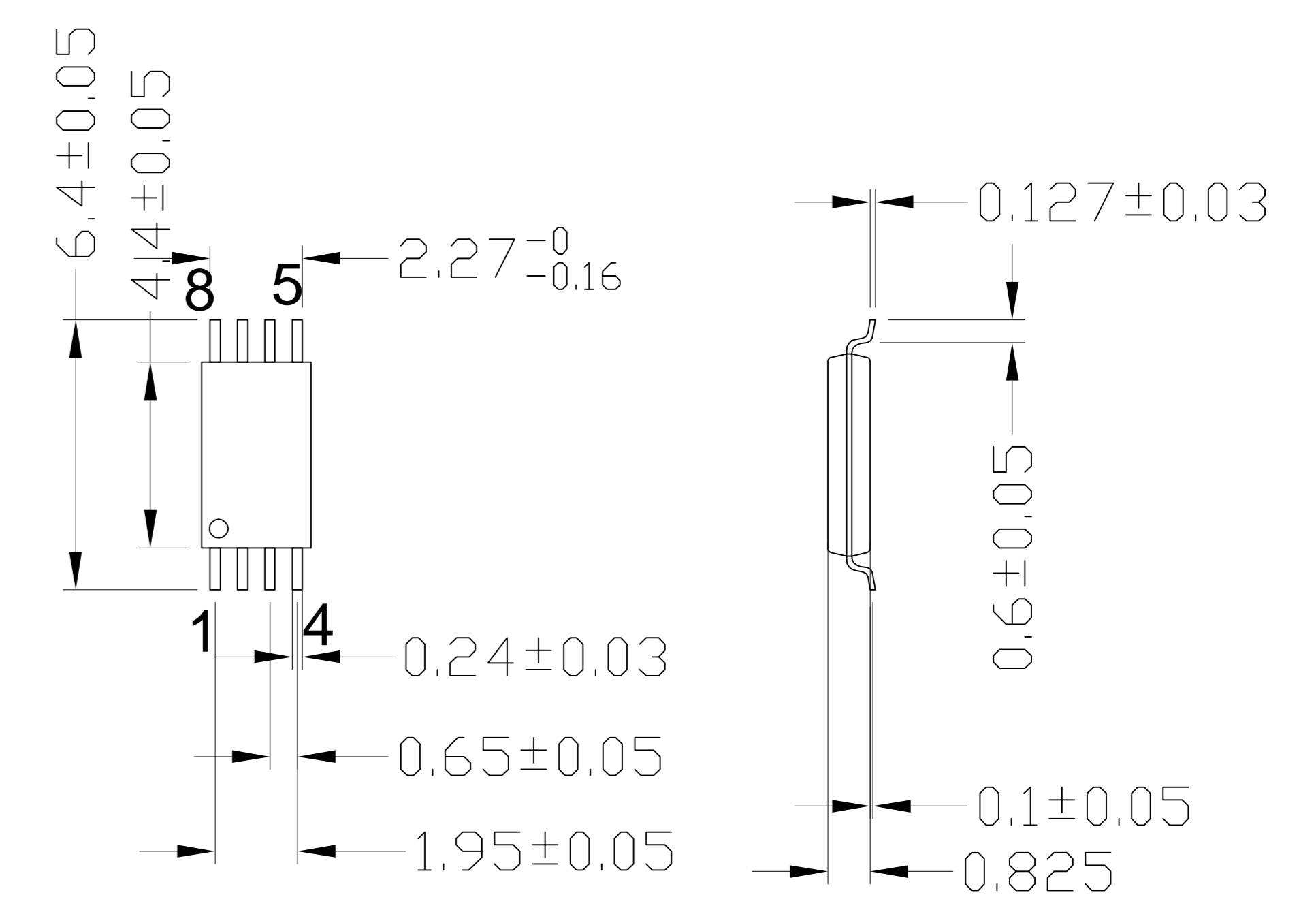
PCB PATTERN (TOP VIEW)



Insertion

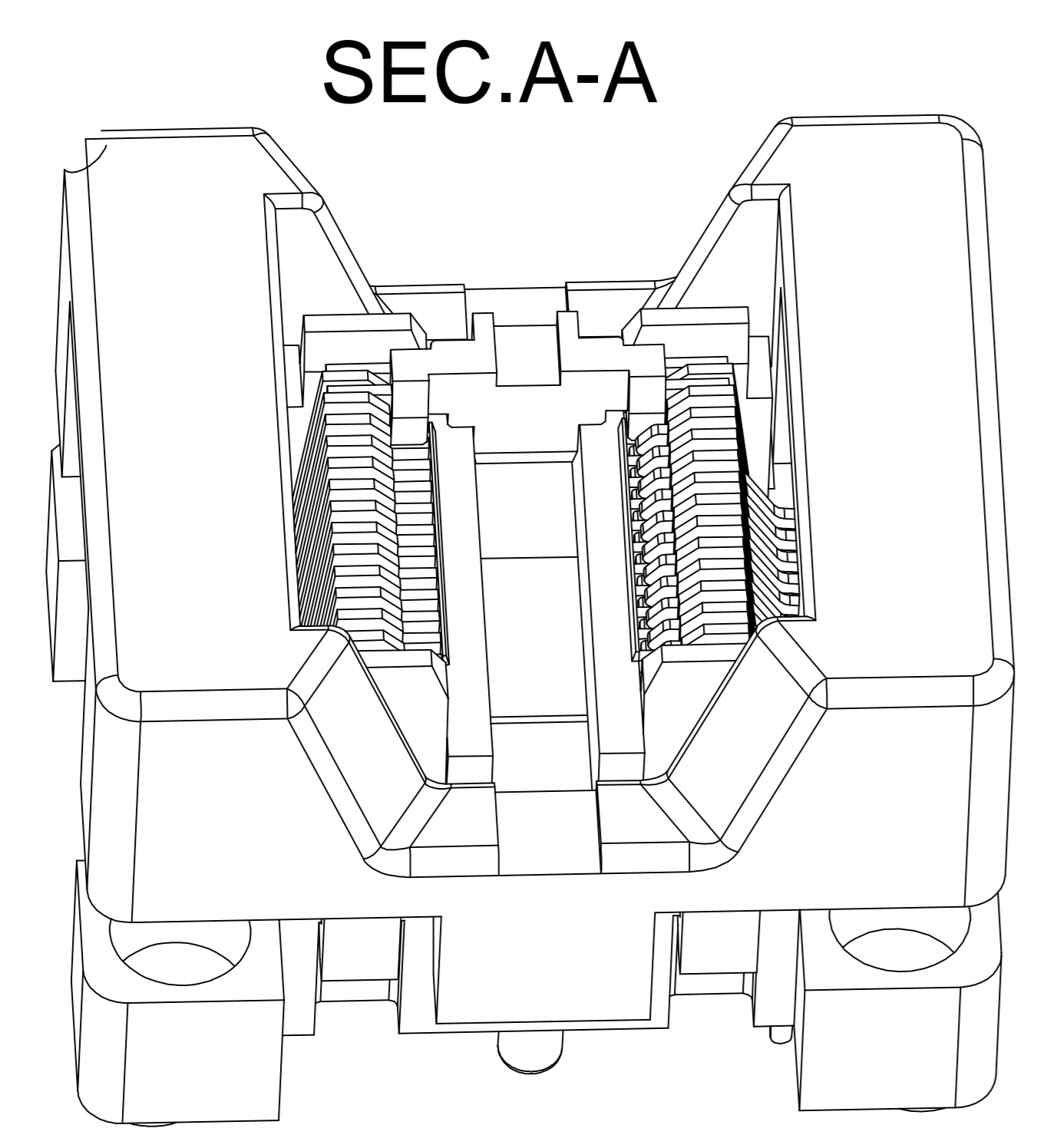


APPLICABLE IC



PERFORMANCE

1. Insulation Resistance: 1000mΩ Min.At DC 500V
2. Dielectric Withstanding Voltage For 1 Minute At AC 700V
3. Contact Resistance 30mΩ MAX. at 10mA and 20mV MAX.(Initial)
4. Current Rating: 1A max.
5. Operation Temperature -55°C ~+175°C
6. Life Span 15,000 Times (Mechanical)
7. Operation Force 1.0 Kg MAX



No	Part Number	Name	Material	Q/ty	Note	TOLERANCE	PROJECTION	GENERAL TOLERANCES	REV	TITLE
6	SDP-28-U01-003	ADAPTER	PEI/PES	1	BLACK			±0.10	A	SOP28-0.65 SOCKET
5	SDP-28-U01-002	COVER	PEI/PES	1	BLACK					SOP8*2(28)-0.65-TP01NT
4	30-B-4515X	SPRING	SUS	4	FOR COVER	X. ± 0.50	DIMENSION: mm			
3	SDP-28-U01-001	BASE	PEI/PES	1	BLACK	X. X ± 0.25	APP:			
2	SDP-28-MSBR-02	CONTACT	BeCu	8	Au PLATING	X. XX ± 0.10	CHECK:			
1	SDP-28-MSBR-01	CONTACT	BeCu	8	Au PLATING	X. XXX ± 0.05	DEGK: ENG03			

